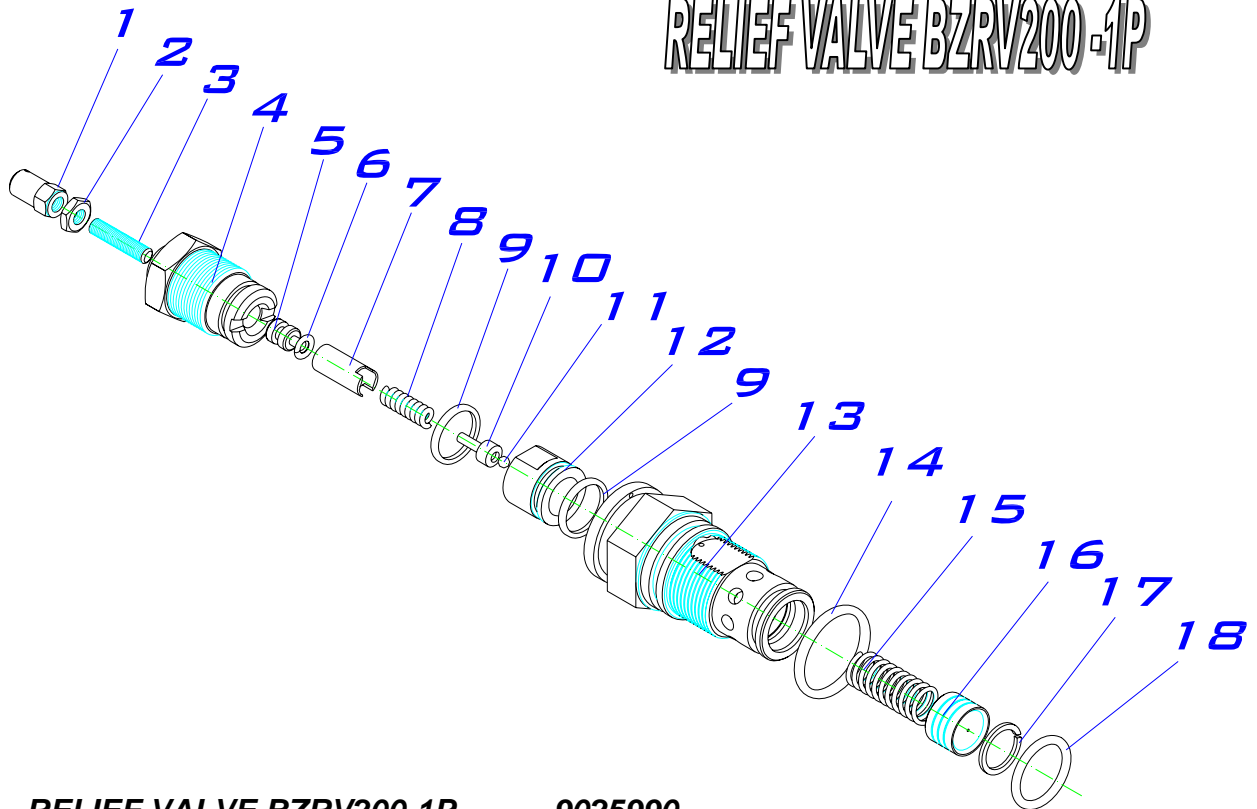


BZDP 180
ONE PRESSURE VALVE

BZDP 180- ONE PRESSURE VALVE

ITEM	QT.	DESCRIPTION	DIMENS.	CODE	BZ USA CODE
1	4	Screw Allen DIN 912	M6 x 20	116010003	
1	2	Straight connector	1/8" BSP	9015816	
3	1	Operation cap BZDP180		200101271	
4	1	O-ring NBR70	Ø51x2.5	107010079	
5	1	Circlip DIN 6799	Ø12	101080003	
6	1	O-ring NBR70	Ø37x3	107010073	
7	1	Piston		204010561	
8	1	Spring check bush		200101291	
9	1	Spring BZDP180		109010066	
10	1	Spring guide bush		200101281	
11	1	O-ring NBR70	Ø14x1.78	107010072	
12	1	Slide BZDP180		203004311	
13	2	O-ring NBR70	Ø25x3	107010103	
14	1	Distributor body		202130842	
15	2	Rivet	Ø2.4x4	100050003	
16	1	Identification plate		126020001	
17	2	Screw Allen DIN 912	M10 x 100	116010024	
18	2	Washer DIN 125	Ø10.5x16.8x2	102090009	
19	1	Plug allen (with O-ring)	1/8" BSP	118020039	
20	1	Dust excluder bellows		107040001	
21	1	Back nut	M12	119070002	
22	1	Screw hex. DIN 933	M12 x 45	116030037	
23	1	Base plate		200028231	
24	1	O-ring NBR70	Ø39x4	107010078	
25	1	Check valve spring		109010028	
26	1	Steel ball	Ø20	104010005	
27	1	Metaloplastic washer	1" BSP	102090006	
28	1	Check valve	1 5/16" UN	202039974	
29	1	Relief valve BZRV200-1P		9025990	

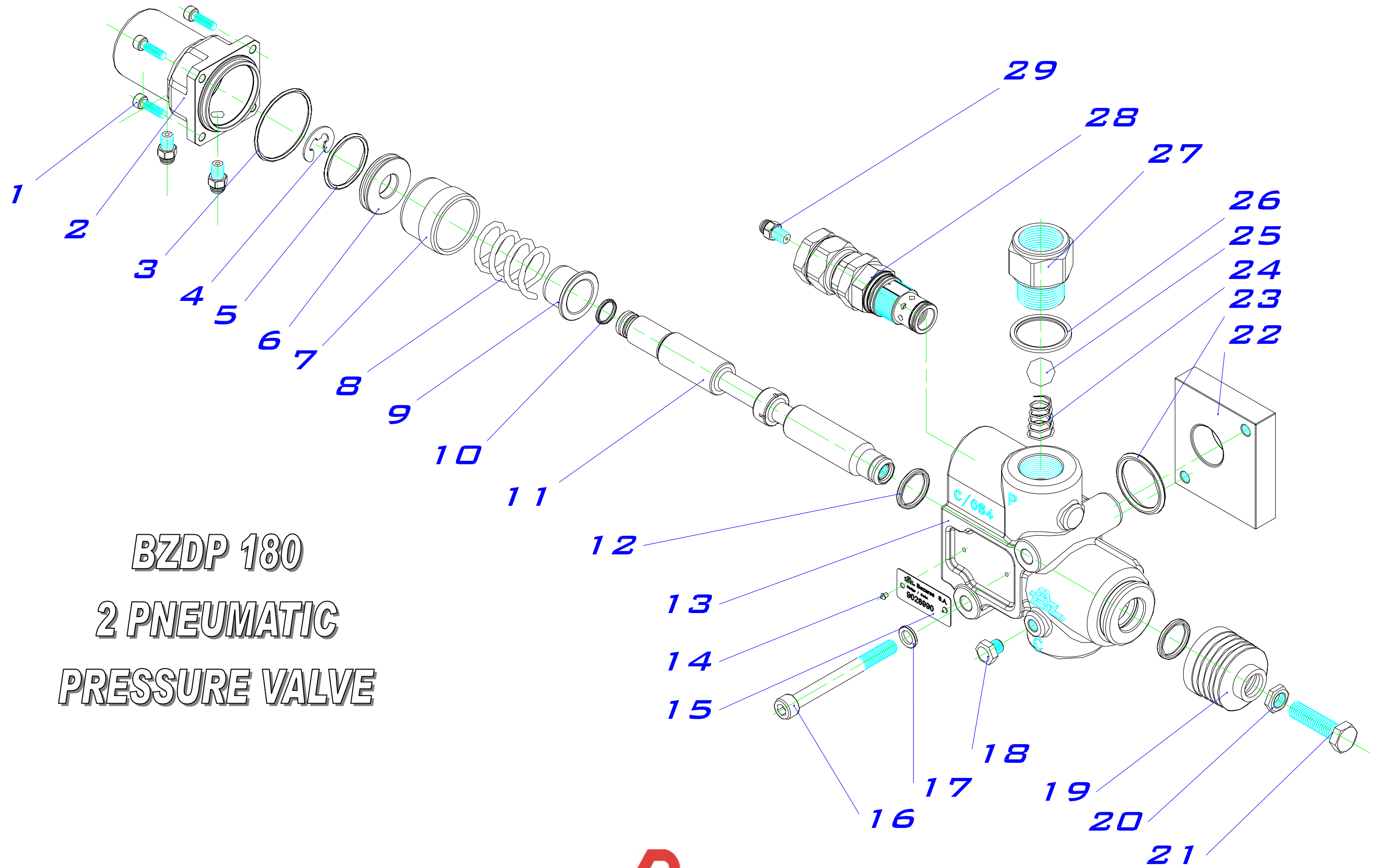
RELIEF VALVE BZRV200-1P



RELIEF VALVE BZRV200-1P

9025990

ITEM	QT.	DESCRIPTION	DIMENS.	CODE	BZ USA CODE
1	1	Locking nut compensated valve.		214112341	
2	1	Nut DIN 936 8.8	M6	119090006	
3	1	Stud DIN 913 8.8	M6x20	117010012	
4	1	Screwed guide		200102122	
5	1	Pneumatic piston		200102802	
6	1	O-Ring	Ø 6.5x2	107010145	
7	1	Locking bush		200103271	
8	1	Spring		109010055	
9	2	O-ring NBR 70	Ø 14x1.78	107010072	
10	1	Ball guide		200100381	
11	1	Steel ball	Ø 3.5	104010010	
12	1	Ball lock		200100371	
13	1	Body pressure cartridge		200100341	
14	1	O-ring NBR70	Ø 25.3x2.4	107010074	
15	1	Spring		109010054	
16	1	Lock piston		200100361	
17	1	Circlip BR16	Ø 16	101040021	
18	1	O-ring NBR90	Ø 18.72x2.62	107030005	

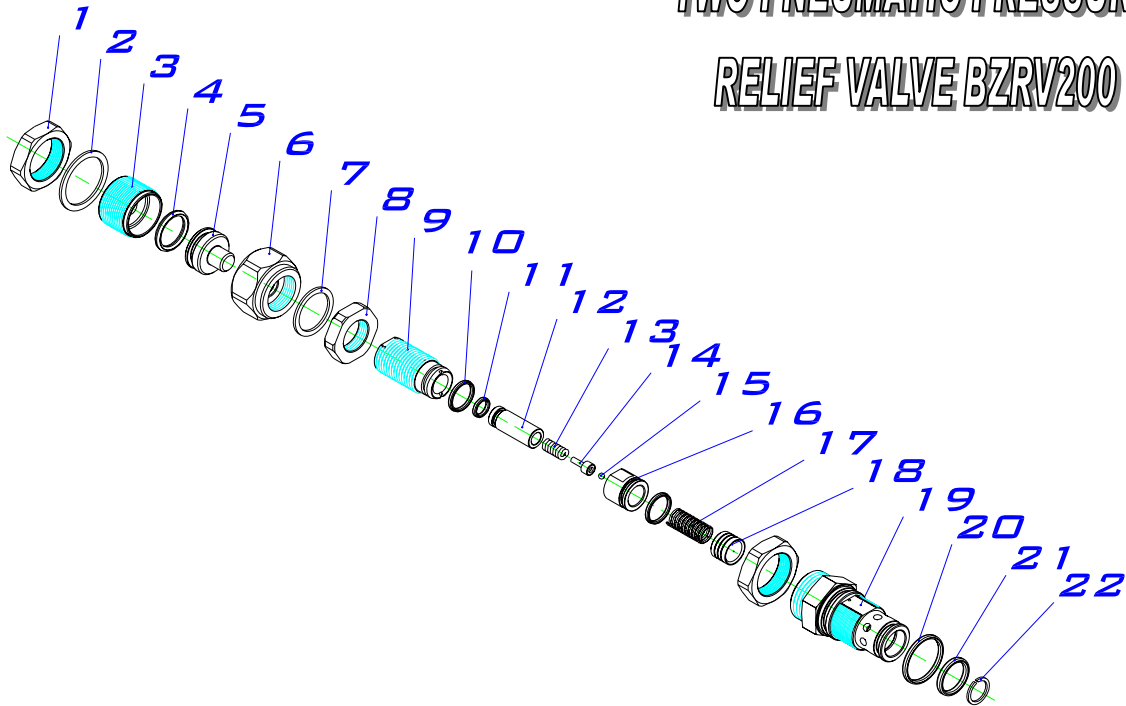


BZDP 180
2 PNEUMATIC
PRESSURE VALVE

BZDP 180- 2 PNEUMATIC PRESSURE VALVE

ITEM	QT.	DESCRIPTION	DIMENS.	CODE	BZ USA CODE
1	4	Screw Allen DIN 912	M6 x 20	116010003	
2	1	Operation cap BZDP180		200101271	
3	1	O-ring NBR70	Ø51x2.5	107010079	
4	1	Circlip DIN 6799	Ø12	101080003	
5	1	O-ring NBR70	Ø37x3	107010073	
6	1	Piston		204010561	
7	1	Spring check bush		200101291	
8	1	Spring BZDP180		109010066	
9	1	Spring guide bush		200101281	
10	1	O-ring NBR70	Ø14x1.78	107010072	
11	1	Slide BZDP180		203004311	
12	2	O-ring NBR70	Ø25x3	107010103	
13	1	Distributor body		202130842	
14	2	Rivet	Ø2.4x4	100050003	
15	1	Identification plate		126020001	
16	2	Screw Allen DIN 912	M10 x 100	116010024	
17	2	Washer DIN 125	Ø10.5x16.8x2	102090009	
18	1	Plug allen (with O-ring)	1/8" BSP	118020039	
19	1	Dust excluder bellows		107040001	
20	1	Back nut	M12	119070002	
21	1	Screw hex. DIN 933	M12 x 45	116030037	
22	1	Base plate		200028231	
23	1	O-ring NBR70	Ø39x4	107010078	
24	1	Check valve spring		109010028	
25	1	Steel ball	Ø20	104010005	
26	1	Metaloplastic washer	1" BSP	102090006	
27	1	Check valve	1 5/16" UN	202039974	
28	1	Two pressure relief valve BZRV200		9025890	
29	3	Straight connector	1/8" BSP	9015816	

TWO PNEUMATIC PRESSURE RELIEF VALVE BZRV200



TWO PNEUMATIC PRESSURE RELIEF VALVE BZRV200

9025890

ITEM	QT.	DESCRIPTION	DIMENS.	CODE	BZ USA CODE
1	2	Locking nut	M30x1	200100741	
2	1	Copper washer	Ø30x37	102060010	
3	1	Low pressure regulator		200100461	
4	1	O-ring NBR70	Ø20x3	107010020	
5	1	Pneumatic piston two pressure		200100451	
6	1	High pressure regulator		200100441	
7	1	Copper washer	Ø24x30	102060019	
8	1	Locking nut for high pressure		200100431	
9	1	Threaded guide for pusher		200100391	
10	2	O-ring NBR70	Ø14x1.78	107010072	
11	1	O-ring NBR70	Ø9x1.5	107010108	
12	1	Guide for spring pusher		200101551	
13	1	Adjusting spring		109010055	
14	1	Ball guide		200100381	
15	1	Steel ball	Ø3.5	104010010	
16	1	Ball lock		200100371	
17	1	Piston spring for valve		109010054	
18	1	Lock piston		200100361	
19	1	Body pressure cartridge		200100341	
20	1	O-ring NBR70	Ø23x3	107010075	
21	1	O-ring NBR90	Ø18.72x2.62	107030005	
22	1	Circlip BR16	Ø16	101040021	