

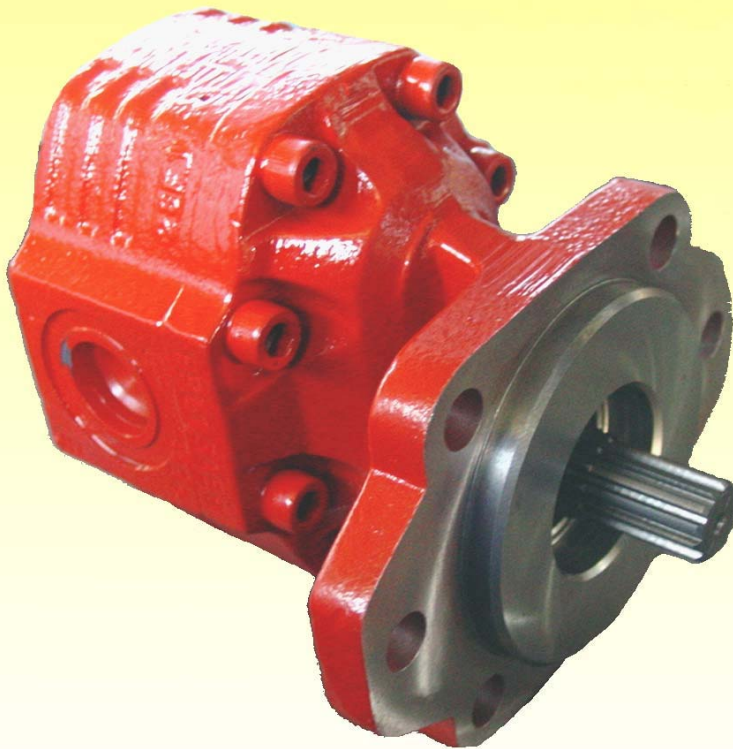


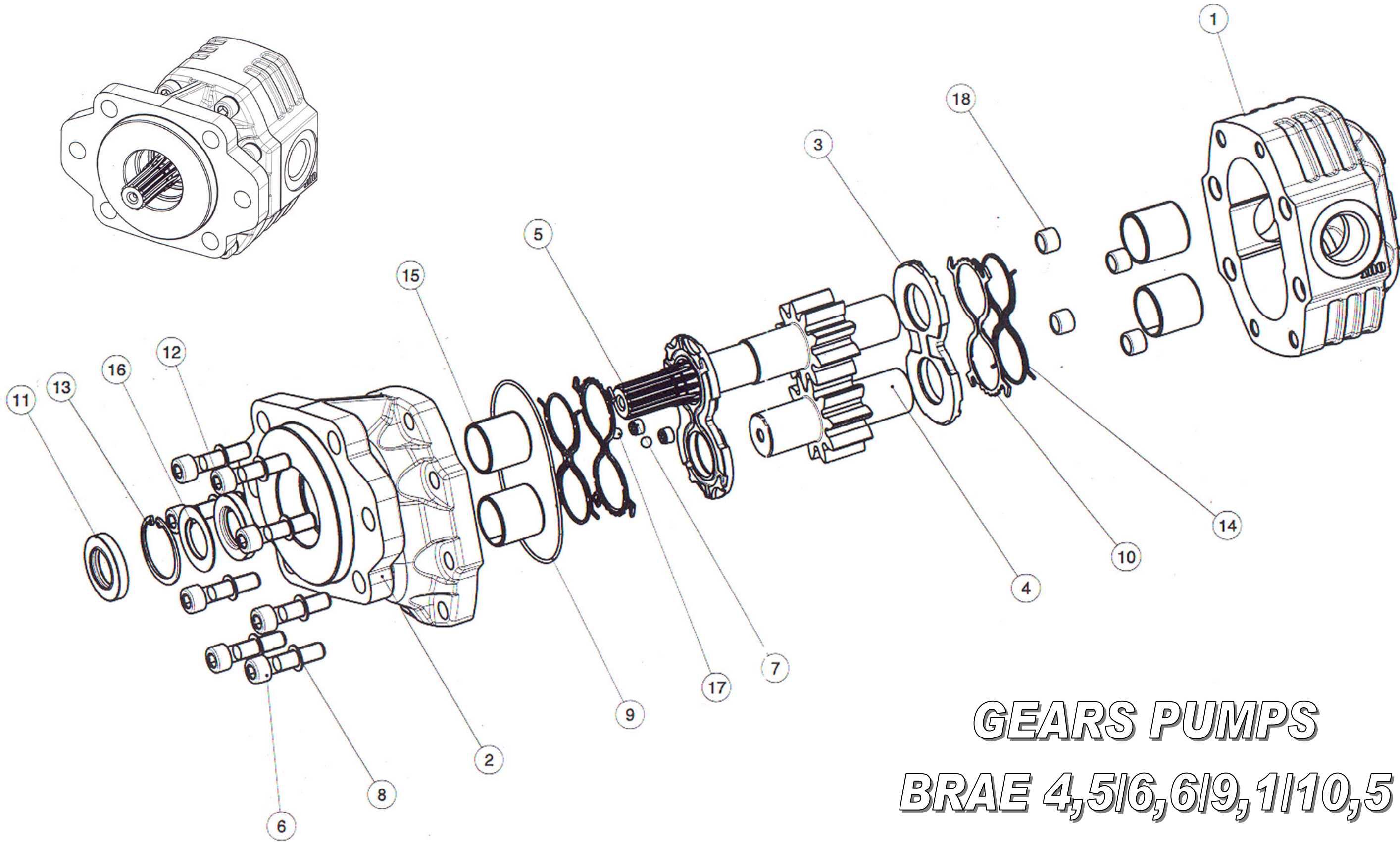
# GEARS PUMPS

## BRAE

### PART LIST

BRAE 4,5 / 6,6 / 9,1 / 10,5





**GEARS PUMPS**  
**BRAE 4,5/6,6/9,1/10,5**

## GEARS PUMPS BRAE 4,5 / 6,6 / 9,1 / 10,5

ITEM	QT.	DESCRIPTION	DIMENS.	CODE	PTO CODE
1	1	Body BRAE 4,5		304010066	
	1	Body BRAE 6,6		304010067	
	1	Body BRAE 9,1		304010068	
	1	Body BRAE 10,5		304010069	
2	1	Cover SAE "B"		304010191	
3	2	Thrust plate		304010049	
4	1	Driven gear BRAE 4,5		304010152	
	1	Driven gear BRAE 6,6		304010154	
	1	Driven gear BRAE 9,1		304010156	
	1	Driven gear BRAE 10,5		304010158	
5	1	Drive shaft BRAE 4,5		304010071	
	1	Drive shaft BRAE 6,6		304010073	
	1	Drive shaft BRAE 9,1		304010075	
	1	Drive shaft BRAE 10,5		304010077	
6	8	Screw UNI 5931 12.9, allen head	M10 x 40	116010200	
7	2	Dowel	1/8" NPT	304010034	
8	8	Washer DIN 125	10.5 x 16.8 x 2	102090010	
9	1	O-ring OR	100 x 96 x 2	304010044	
10	2	Oil seal		304010047	
11	1	Shaft seal BAB SL	25 x 42 x 6.5	304010079	
12	1	Shaft seal BA U2	25 x 42 x 6	304010190	
13	1	Snap ring UNI 7437	Ø42	101020189	
14	2	Back-up ring Z		304010046	
15	4	Sleeve bearing	28 x 30	304010048	
16	1	Back-up washer HD BA U2	25 x 42 x 6	304010187	
17	2	Ball	1/4"	304010051	
18	4	Steel bushes	14 x 10.5	304010055	