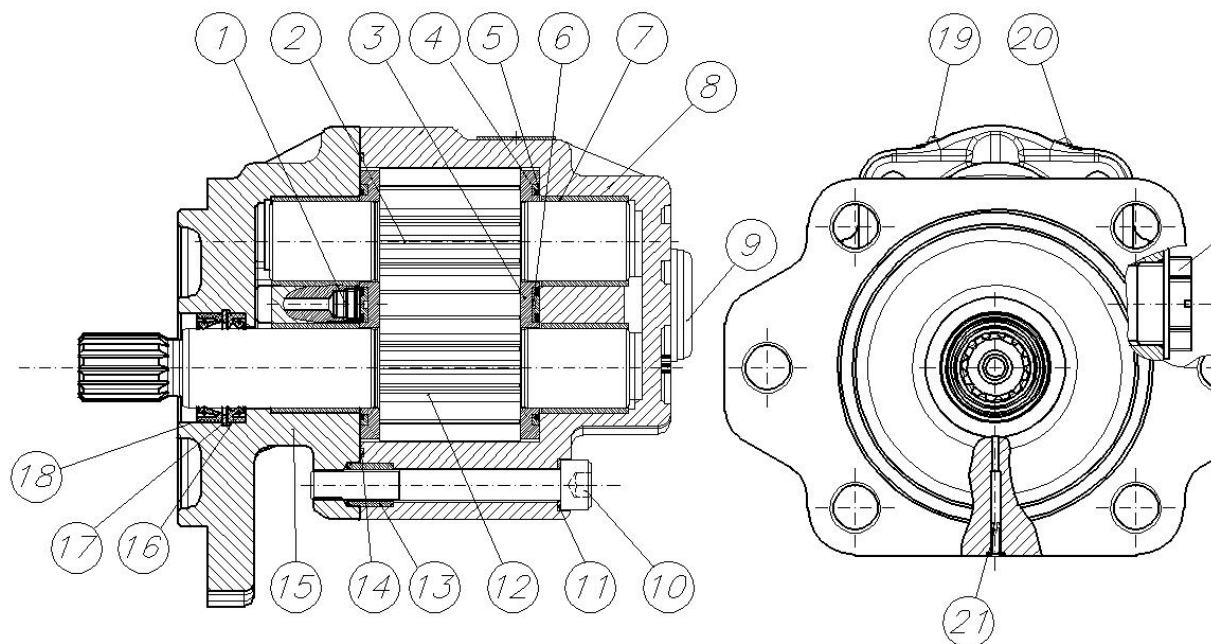


5045206

BOMBA DE ENGRANAJES BEMRA-45L.



Marca	Qt	Descripcion	Codigo
1	2	VALV. ANTIRRET. TIPO INSERTO G1/8" CHECK VALVE, INSERT TYPE, BSP1/8"	9073290
2	1	E630 EJE CONDUCIDO BEM 46 E630 DRIVEN SHAFT BEM 46	203026301
3	2	X340-1 PLACA DE FRICCIA'N BOMBA BEM (BZ) X340-1 THRUST PLATE BEM PUMP (BZ)	211113402
4	4	JUNTA EXTERIOR. PLACA FRICCION BEM OUTER RING. SPECIAL FOR BEM GEAR PUMPS	107030033
5	2	JUNTA ANTIEXTR. ESP. PLACA FRICCION BE M BACK-UP RING. SPECIAL FOR BEM FRICTION PLATE	107070014
6	2	JUNTA INTERIOR. PLACA FRICCION BEM INNER RING. SPECIAL FOR BEM GEAR PUMPS	107030030
7	4	X381 CASQUILLO BRONCE BEM X381 BRASS BUSH. BEM GEAR PUMP	213133811
8	1	A916-1 CUERPO CIERRE BOMBA BE-45 A916-1 LOCKING BODY. BE-45 GEAR PUMP	202039162
9	2	TAPA'N ALLEN 3/4" GAS (CON TORICA) ALLEN HEAD PLUG 3/4" BSP WITH O-RING	118020031
10	4	TOR. M10x90 DIN 912 12.9 GEOMET 321 SCREW M10x90 DIN 912 12.9 GEOMET 321	116010179
11	4	ARANDELA AET A~10.5 ** WASHER 10,5 AET A~10.5	102040002
12	1	E629 EJE CONDUCTOR BEM 46 E629 DRIVER SHAFT BEM 46	203026291
13	4	A893 GUIA BOMBA ENGRANAJES BE A893 PUMP GUIDE.	200018931
14	1	JUNTA TORICA 78x2 NBR-90 O-RING 78x2 NBR90	107030026
15	1	C223-1 BRIDA BOMBA BEMRA. CON ANTIRRETORNO C223-1 BEMRA PUMP FLANGE. W/CHECK VALVE (INS)	202122232
16	1	RETEN 25x35x6 BAB SL SEAL 25x35x6 BABSL	112110009
17	1	ANILLO DIN 472 A~35 CIRCLIP DIN 472 DIA. 35	101020001
18	1	RETEN 25x35x8 BA SEAL 25x35x8 BA	112070039
19	2	REMACHE DIN 7337 2.4x4 RIVET DIN 7337 2.4x4	100050003
20	1	PLACA DE IDENTIFICACION IDENTIFICATION PLATE.	126020001
21	1	TAPA'N TESTIGO ROTURA RETEN. PLASTIC CHECK PLUG	118010013
22	2	TAPA'N PLASTICO CON ROSCA G3/4" (HEXAGONO E) PLASTIC PLUG THREAD BSP 3/4" (OUTER HEXAGON)	118010017