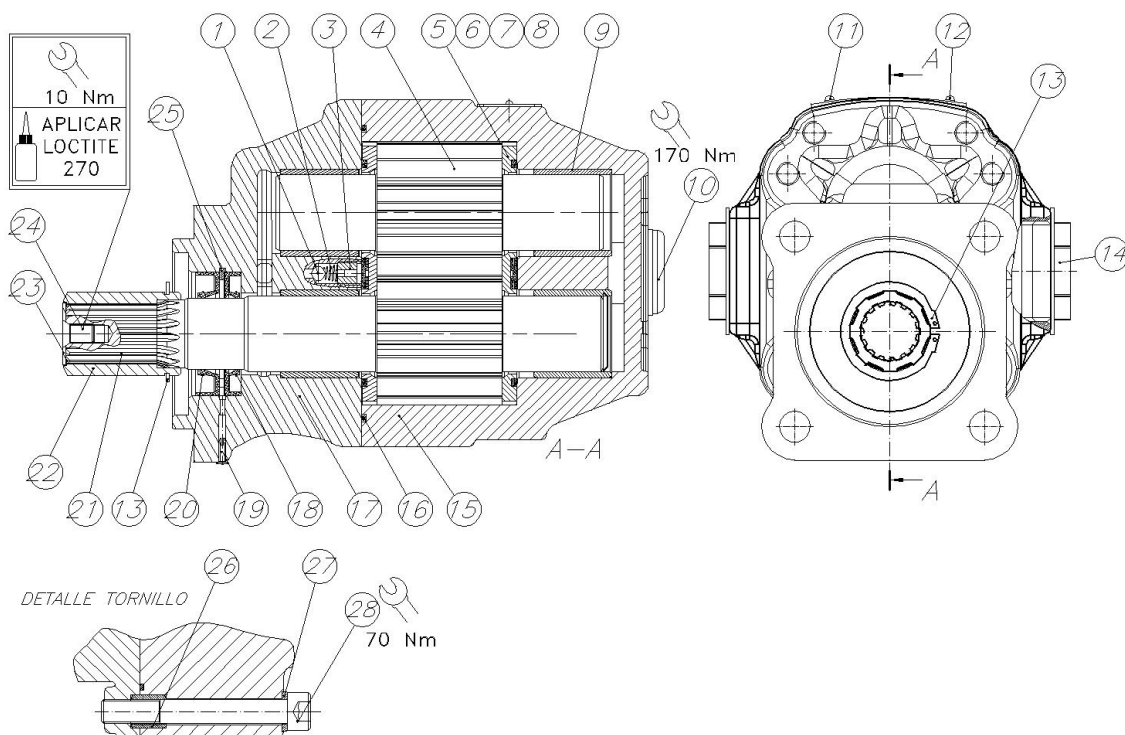
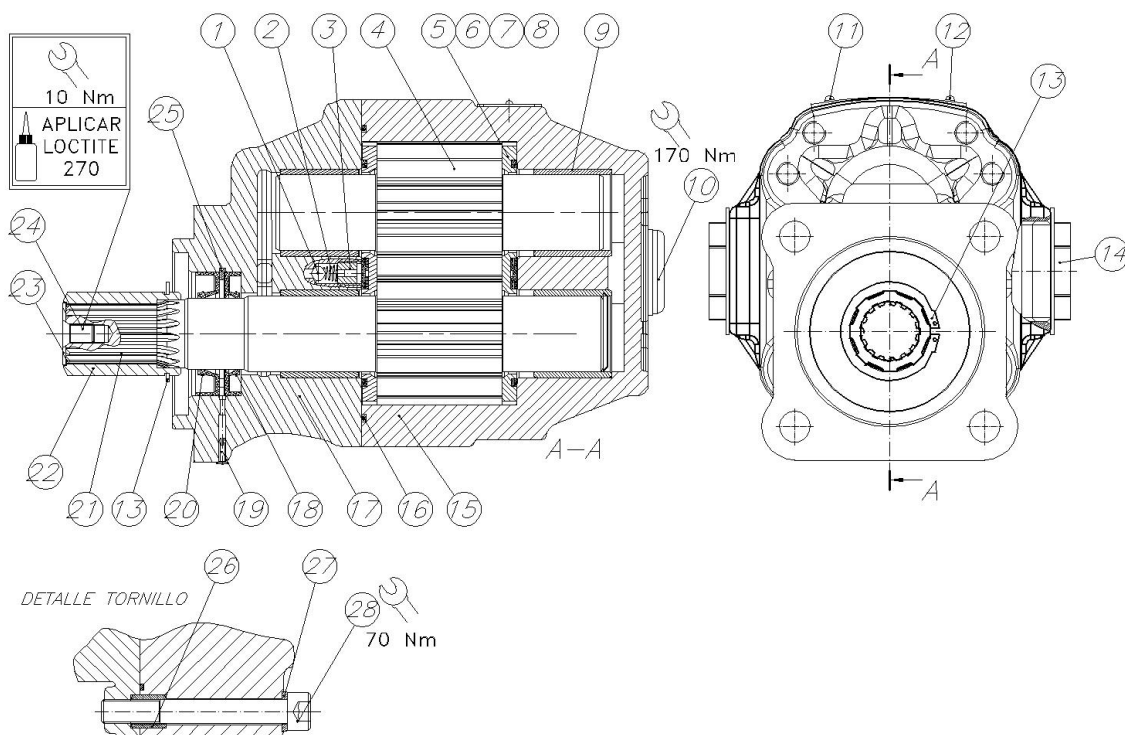


5060606**BOMBA DE ENGRANAJES BEL-50. BRIDA ISO 4 TALADROS - ROSCA SAE**

Marca	Qt	Descripcion	Codigo
		10 Nm APLICAR LOCTITE 270	
1	2	BOLA DE ACERO A ⁶ STEEL BALL DIAM. 6	104010009
2	2	A892 MUELLE ANTIRRET. BOMBA BE A892 SPRING. BE PUMP	109010040
3	2	A900 PRISION.ANTIRR. BOMBA BE A900 CHECK SCREW. (BE PUMP)	214029001
4	1	E748 EJE CONDUCIDO BEL 51 E748 DRIVEN GEAR BEL 51	203027481
5	2	X398-3 PLACA DE FRICCION BIMETALICA. BOMBA BE X398-3 BEL THRUST PLATE (BI-METAL)	211113984
6	2	JUNTA ANTIEXTR. ESP. PLACA FRICCION BE L BACK-UP SEAL. BEL GEAR PUMP	107070015
7	2	JUNTA INTERIOR. PLACA FRICCION BEL INNER SEAL. BEL GEAR PUMP	107030035
8	4	JUNTA EXTERIOR. PLACA FRICCION BEL OUTER SEAL. BEL GEAR PUMP	107030036
9	4	X382-1 CASQUILLO BRONCE BEL 51-119 X382-1 BRONZE BUSH BEL 51-119	213133822
10	2	TAPA*N ALLEN 1 5/8"-12h UN (CON TORICA) ALLEN HEAD PLUG 1 5/8"-12h UN WITH O-RING	118020050
11	2	REMACHE DIN 7337 2.4x4 RIVET DIN 7337	100050003
12	1	PLACA DE IDENTIFICACION IDENTIFICATION PLATE	126020001
13	1	ANILLO DIN 471 A ³⁵ CIRCLIP DIN 471 DIAM. 35	101010005
14	2	TAPA*N PLASTICO CON ROSCA 1 5/8"-12 UN (HEXAG. PLASTIC PLUG THREAD 1 5/8"-12 UN (OUTER HEXAG.	118010031
15	1	C194-1 CUERPO BELRA 50. ROSCAS SAE C194-1 BODY. BELRA 50 GEAR PUMP	202131942
16	1	JUNTA TORICA 101.27x2.62 NBR-90 O-RING 101.27x2.6 NBR-90	107030032
17	1	C189-6 BRIDA. BOMBA BEL 51-119 C189-6 FLANGE. BEL 51-119 GEAR PUMP	202121897
18	1	RETEN 30X52X7 BAB SL SEAL 30X52X7 BAB SL	112110006
19	1	TAPA*N TESTIGO ROTURA RETEN. PLASTIC CHECK PLUG	118010013
20	1	RETEN 30x52x10 BA SEAL 30x52x10 BA	112070049
21	1	E747 EJE CONDUCTOR BEL 51 E747 DRIVE GEAR-SHAFT. BEL 51	203027471
22	1	Q091-1 CUBO ARRASTRE BOMBA BEL CON SUJECCIO Q091-1 ENGAGING HUB. BEL GEAR PUMP WITH ANCH	207010912
23	1	X345 ARANDELA SUJECION Q/091-1 X345 ANCHORAGE WASHER Q/091-1	211123451
24	1	X346-1 TORNILLO SUJECION Q/091-1 X346-1 ANCHORAGE SCREW FOR Q/091-1	214123462
25	1	ANILLO DIN 472 A ⁵² CIRCLIP DIN 472 DIA. 52	101020007
26	4	A893 GUIA BOMBA ENGRANAJES BE A893 PUMP GUIDE.	200018931
27	8	ARANDELA AET A ^{10.5} WASHER 10.5 AET A ^{10.5}	102040002
28	8	TOR. M10x70 DIN 912 12.9 GEOMET 321 SCREW M10x70 DIN 912 12.9 GEOMET 321	116010167

5052406

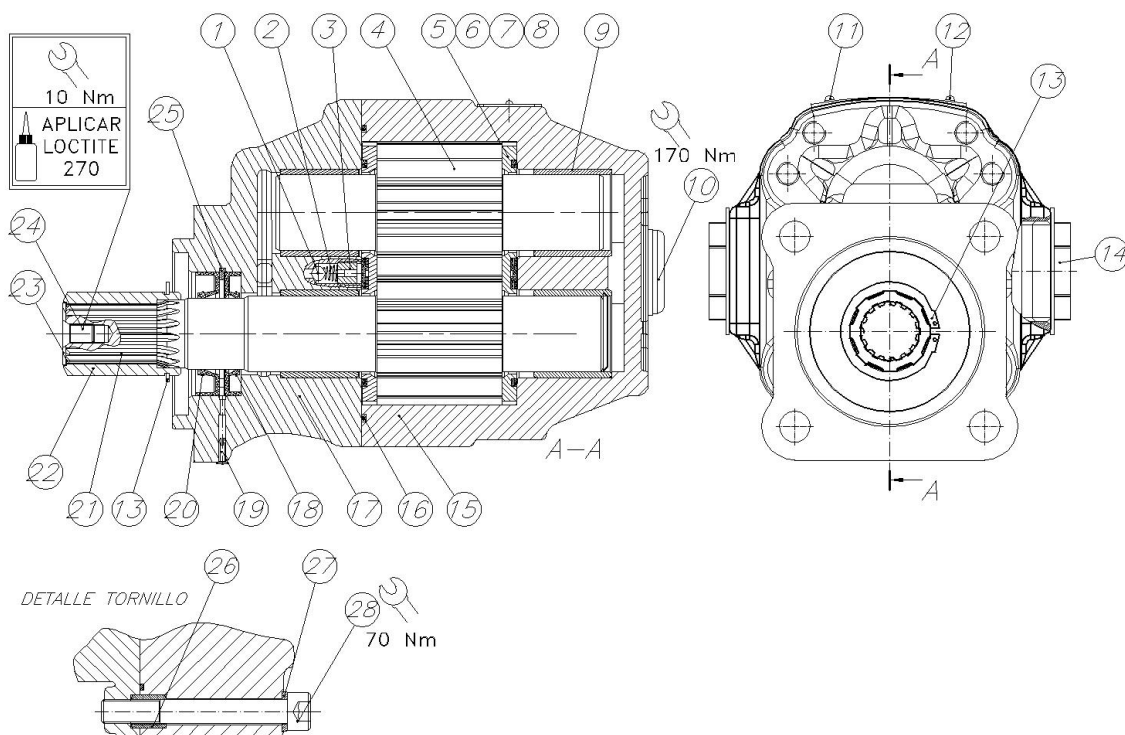
BOMBA DE ENGRANAJES BEL-60. BRIDA ISO 4 TALADROS - ROSCA SAE



Marca	Qt	Descripcion	Codigo
1	2	BOLA DE ACERO A ⁶ 6 STEEL BALL DIAM. 6	104010009
2	2	A892 MUELLE ANTIRRET. BOMBA BE A892 SPRING. BE PUMP	109010040
3	2	A900 PRISION.ANTIRR. BOMBA BE A900 CHECK SCREW. (BE PUMP)	214029001
4	1	E750 EJE CONDUCIDO BEL 61 E750 DRIVEN GEAR BEL 61	203027501
5	2	X398-3 PLACA DE FRICCION BIMETALICA. BOMBA BE X398-3 BEL THRUST PLATE (BI-METAL)	211113984
6	2	JUNTA ANTIEXTR. ESP. PLACA FRICCION BE L BACK-UP SEAL. BEL GEAR PUMP	107070015
7	2	JUNTA INTERIOR. PLACA FRICCION BEL INNER SEAL. BEL GEAR PUMP	107030035
8	4	JUNTA EXTERIOR. PLACA FRICCION BEL OUTER SEAL. BEL GEAR PUMP	107030036
9	4	X382-1 CASQUILLO BRONCE BEL 51-119 X382-1 BRONZE BUSH BEL 51-119	213133822
10	2	TAPA*N ALLEN 1 5/8"-12h UN (CON TORICA) ALLEN HEAD PLUG 1 5/8"-12h UN WITH O-RING	118020050
11	2	REMACHE DIN 7337 2.4x4 RIVET DIN 7337	100050003
12	1	PLACA DE IDENTIFICACION IDENTIFICATION PLATE	126020001
13	1	ANILLO DIN 471 A ³⁵ CIRCLIP DIN 471 DIAM. 35	101010005
14	2	TAPA*N PLASTICO CON ROSCA 1 5/8"-12 UN (HEXAG. PLASTIC PLUG THREAD 1 5/8"-12 UN (OUTER HEXAG.	118010031
15	1	C187-1 CUERPO BELRA 60 C187-1 BODY. BELRA 60 GEAR PUMP	202131872
16	1	JUNTA TORICA 101.27x2.62 NBR-90 O-RING 101.27x2.6 NBR-90	107030032
17	1	C189-6 BRIDA. BOMBA BEL 51-119 C189-6 FLANGE. BEL 51-119 GEAR PUMP	202121897
18	1	RETEN 30X52X7 BAB SL SEAL 30X52X7 BAB SL	112110006
19	1	TAPA*N TESTIGO ROTURA RETEN. PLASTIC CHECK PLUG	118010013
20	1	RETEN 30x52x10 BA SEAL 30x52x10 BA	112070049
21	1	E749 EJE CONDUCTOR BEL 61 E749 DRIVE GEAR-SHAFT. BEL 61	203027491
22	1	Q091-1 CUBO ARRASTRE BOMBA BEL CON SUJECCION Q091-1 ENGAGING HUB. BEL GEAR PUMP WITH ANCHOR	207010912
23	1	X345 ARANDELA SUJECION Q/091-1 X345 ANCHORAGE WASHER Q/091-1	211123451
24	1	X346-1 TORNILLO SUJECION Q/091-1 X346-1 ANCHORAGE SCREW FOR Q/091-1	214123462
25	1	ANILLO DIN 472 A ⁵² CIRCLIP DIN 472 DIA. 52	101020007
26	4	A893 GUIA BOMBA ENGRANAJES BE A893 PUMP GUIDE.	200018931
27	8	ARANDELA AET A ^{10.5} WASHER 10.5 AET A ^{10.5}	102040002
28	8	TOR. M10x80 DIN 912 12.9 GEOMET 321 SCREW M10x80 DIN 912 12.9 GEOMET 321	116010158

5052506

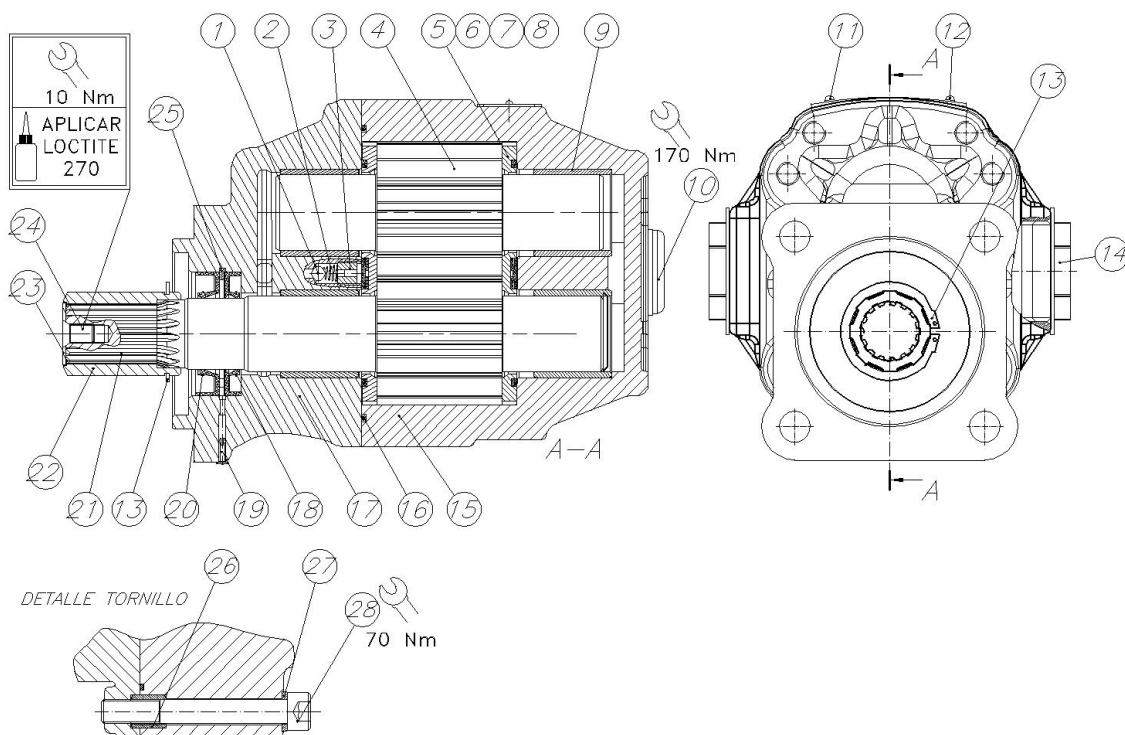
BOMBA DE ENGRANAJES BEL-80. BRIDA ISO 4 TALADROS - ROSCA SAE



Marca	Qt	Descripcion	Codigo
		10 Nm APLICAR LOCTITE 270	
1	2	BOLA DE ACERO A ⁶ STEEL BALL DIAM. 6	104010009
2	2	A892 MUELLE ANTIRRET. BOMBA BE A892 SPRING. BE PUMP	109010040
3	2	A900 PRISION.ANTIRR. BOMBA BE A900 CHECK SCREW. (BE PUMP)	214029001
4	1	E734 EJE CONDUCIDO BEL 81 E734 DRIVEN GEAR. BEL 81	203027341
5	2	X398-3 PLACA DE FRICCION BIMETALICA. BOMBA BE X398-3 BEL THRUST PLATE (BI-METAL)	211113984
6	2	JUNTA ANTIEXTR. ESP. PLACA FRICCION BE L BACK-UP SEAL. BEL GEAR PUMP	107070015
7	2	JUNTA INTERIOR. PLACA FRICCION BEL INNER SEAL. BEL GEAR PUMP	107030035
8	4	JUNTA EXTERIOR. PLACA FRICCION BEL OUTER SEAL. BEL GEAR PUMP	107030036
9	4	X382-1 CASQUILLO BRONCE BEL 51-119 X382-1 BRONZE BUSH BEL 51-119	213133822
10	2	TAPA*N ALLEN 1 5/8"-12h UN (CON TORICA) ALLEN HEAD PLUG 1 5/8"-12h UN WITH O-RING	118020050
11	2	REMACHE DIN 7337 2.4x4 RIVET DIN 7337	100050003
12	1	PLACA DE IDENTIFICACION IDENTIFICATION PLATE	126020001
13	1	ANILLO DIN 471 A ³⁵ CIRCLIP DIN 471 DIAM. 35	101010005
14	2	TAPA*N PLASTICO CON ROSCA 1 5/8"-12 UN (HEXAG. PLASTIC PLUG THREAD 1 5/8"-12 UN (OUTER HEXAG	118010031
15	1	C196-1 CUERPO BELRA 80 C196-1 BODY. BELRA 80 GEAR PUMP	202131962
16	1	JUNTA TORICA 101.27x2.62 NBR-90 O-RING 101.27x2.6 NBR-90	107030032
17	1	C189-6 BRIDA. BOMBA BEL 51-119 C189-6 FLANGE. BEL 51-119 GEAR PUMP	202121897
18	1	RETEN 30X52X7 BAB SL SEAL 30X52X7 BAB SL	112110006
19	1	TAPA*N TESTIGO ROTURA RETEN. PLASTIC CHECK PLUG	118010013
20	1	RETEN 30x52x10 BA SEAL 30x52x10 BA	112070049
21	1	E733 EJE CONDUCTOR BEL 81 E733 DRIVE GEAR-SHAFT. BEL 81	203027331
22	1	Q091-1 CUBO ARRASTRE BOMBA BEL CON SUJECION Q091-1 ENGAGING HUB. BEL GEAR PUMP WITH ANCH	207010912
23	1	X345 ARANDELA SUJECION Q/091-1 X345 ANCHORAGE WASHER Q/091-1	211123451
24	1	X346-1 TORNILLO SUJECION Q/091-1 X346-1 ANCHORAGE SCREW FOR Q/091-1	214123462
25	1	ANILLO DIN 472 A ⁵² CIRCLIP DIN 472 DIA. 52	101020007
26	4	A893 GUIA BOMBA ENGRANAJES BE A893 PUMP GUIDE.	200018931
27	8	ARANDELA AET A ^{10.5} WASHER 10.5 AET A ^{10.5}	102040002
28	8	TOR. M10x95 DIN 912 12.9 GEOMET 321 SCREW M10x95 DIN 912 12.9 GEOMET 321	116010220

5052606

BOMBA DE ENGRANAJES BEL-100. BRIDA ISO 4 TALADROS - ROSCA SAE



Marca	Qt	Descripcion	Codigo
		10 Nm APLICAR LOCTITE 270	
1	2	BOLA DE ACERO A ⁶ STEEL BALL DIAM. 6	104010009
2	2	A892 MUELLE ANTIRRET. BOMBA BE A892 SPRING. BE PUMP	109010040
3	2	A900 PRISION.ANTIRR. BOMBA BE A900 CHECK SCREW. (BE PUMP)	214029001
4	1	E752 EJE CONDUCIDO BEL 101 E752 DRIVEN GEAR BEL 101	203027521
5	2	X398-3 PLACA DE FRICCION BIMETALICA. BOMBA BE X398-3 BEL THRUST PLATE (BI-METAL)	211113984
6	2	JUNTA ANTIEXTR. ESP. PLACA FRICCION BE L BACK-UP SEAL. BEL GEAR PUMP	107070015
7	2	JUNTA INTERIOR. PLACA FRICCION BEL INNER SEAL. BEL GEAR PUMP	107030035
8	4	JUNTA EXTERIOR. PLACA FRICCION BEL OUTER SEAL. BEL GEAR PUMP	107030036
9	4	X382-1 CASQUILLO BRONCE BEL 51-119 X382-1 BRONZE BUSH BEL 51-119	213133822
10	2	TAPA*N ALLEN 1 5/8"-12h UN (CON TORICA) ALLEN HEAD PLUG 1 5/8"-12h UN WITH O-RING	118020050
11	2	REMACHE DIN 7337 2.4x4 RIVET DIN 7337	100050003
12	1	PLACA DE IDENTIFICACION IDENTIFICATION PLATE	126020001
13	1	ANILLO DIN 471 A ³⁵ CIRCLIP DIN 471 DIAM. 35	101010005
14	2	TAPA*N PLASTICO CON ROSCA 1 5/8"-12 UN (HEXAG. PLASTIC PLUG THREAD 1 5/8"-12 UN (OUTER HEXAG.	118010031
15	1	C190-1 CUERPO BELRB 100 C190-1 BODY. BELRB 100 GEAR PUMP	202131902
16	1	JUNTA TORICA 101.27x2.62 NBR-90 O-RING 101.27x2.6 NBR-90	107030032
17	1	C189-6 BRIDA. BOMBA BEL 51-119 C189-6 FLANGE. BEL 51-119 GEAR PUMP	202121897
18	1	RETEN 30X52X7 BAB SL SEAL 30X52X7 BAB SL	112110006
19	1	TAPA*N TESTIGO ROTURA RETEN. PLASTIC CHECK PLUG	118010013
20	1	RETEN 30x52x10 BA SEAL 30x52x10 BA	112070049
21	1	E751 EJE CONDUCTOR BEL 101 E751 DRIVE GEAR-SHAFT. BEL 101	203027511
22	1	Q091-1 CUBO ARRASTRE BOMBA BEL CON SUJECION Q091-1 ENGAGING HUB. BEL GEAR PUMP WITH ANCH.	207010912
23	1	X345 ARANDELA SUJECION Q/091-1 X345 ANCHORAGE WASHER Q/091-1	211123451
24	1	X346-1 TORNILLO SUJECION Q/091-1 X346-1 ANCHORAGE SCREW FOR Q/091-1	214123462
25	1	ANILLO DIN 472 A ⁵² CIRCLIP DIN 472 DIA. 52	101020007
26	4	A893 GUIA BOMBA ENGRANAJES BE A893 PUMP GUIDE.	200018931
27	8	ARANDELA AET A ^{10.5} WASHER 10.5 AET A ^{10.5}	102040002
28	8	TOR. M10x110 DIN 912 12.9 GEOMET 321 SCREW M10x110 DIN 912 12.9 GEOMET 321	116010221