

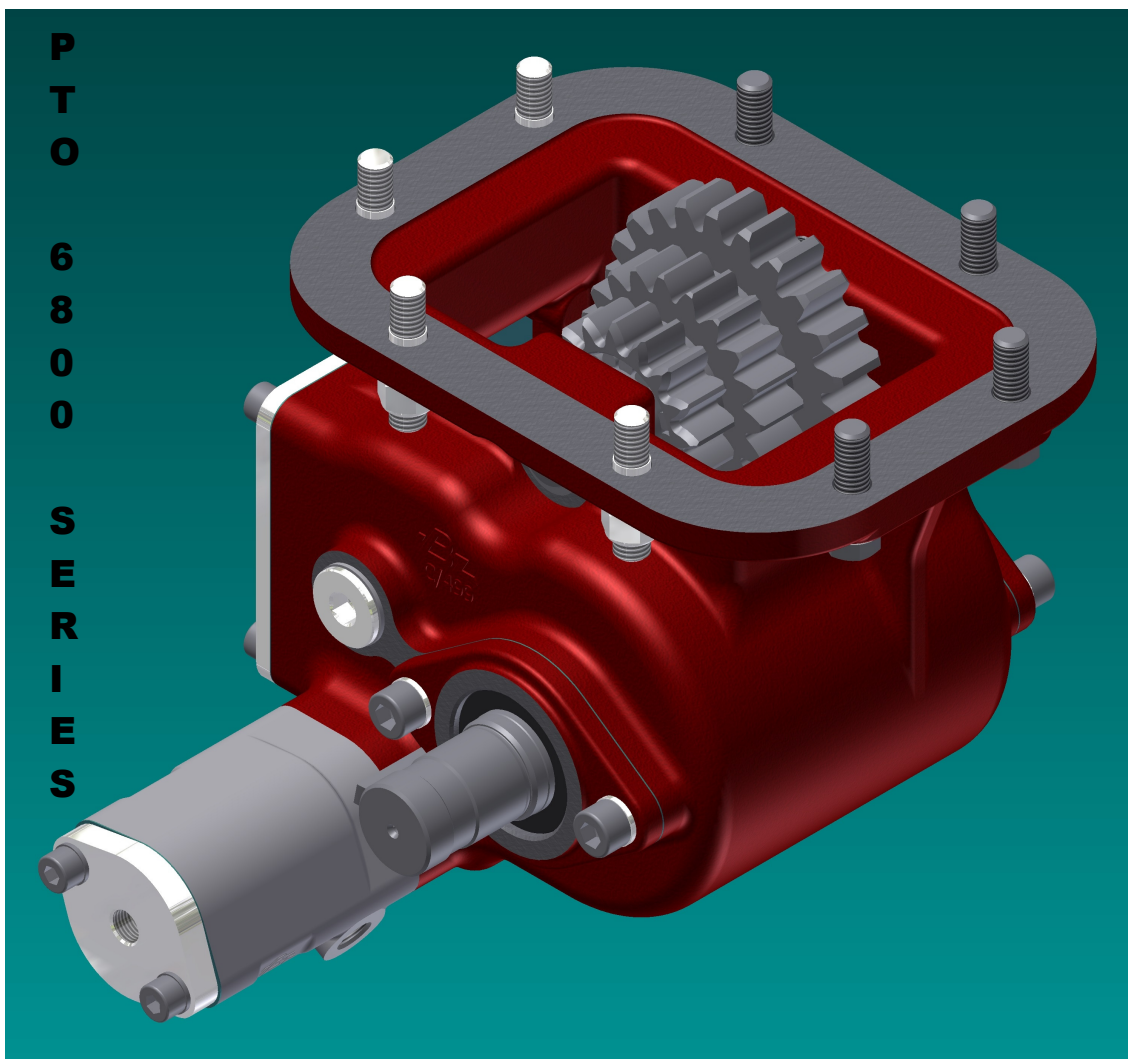
# BZ

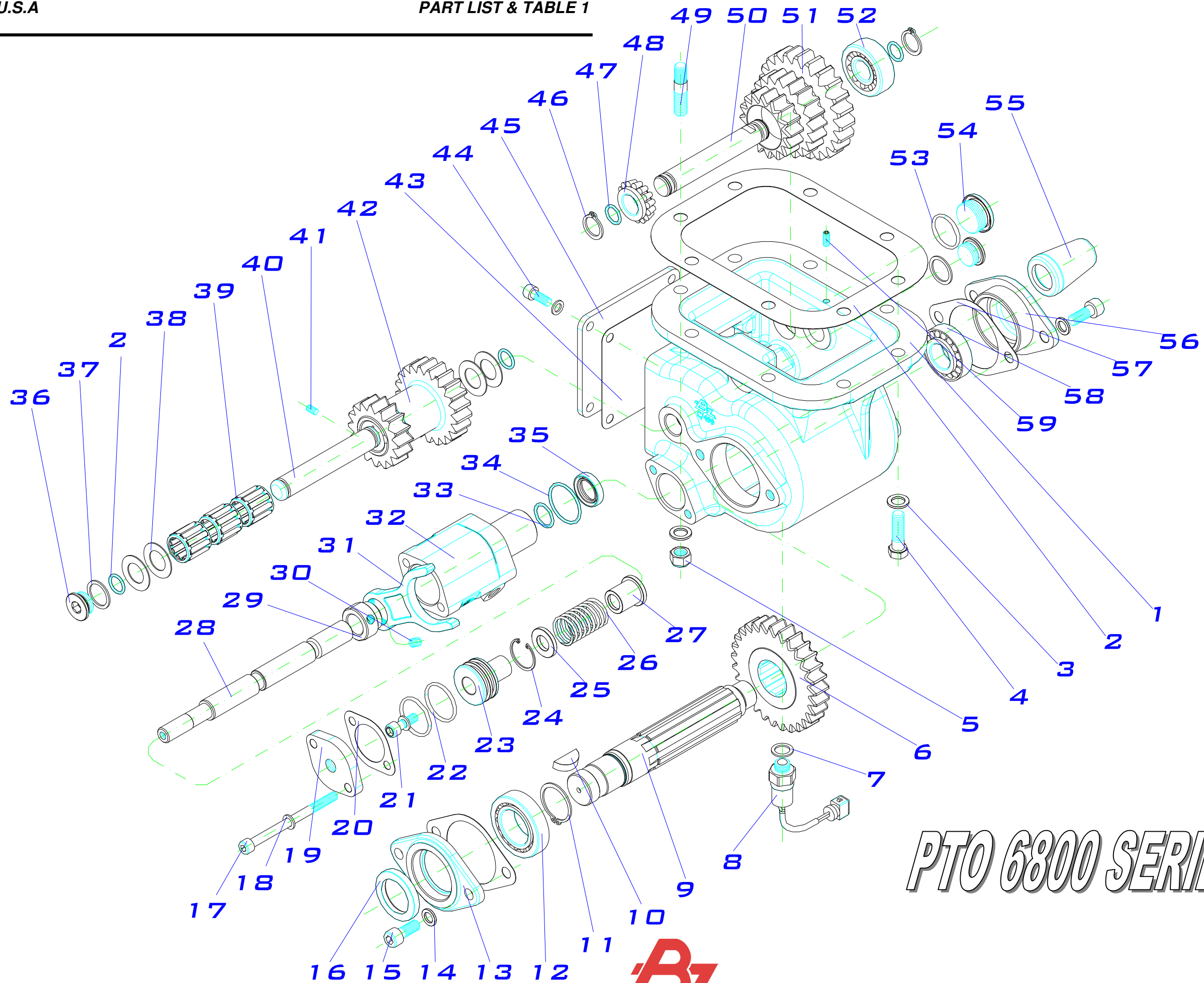
*bezaresusa*

## PTO 6800

## SERIES

### PART LIST





*PTO 6800 SERIES*

**PTO 6800 Series.**

ITEM	QT.	DESCRIPTION	DIMENS.	CODE	BZ USA CODE
1	1	Housing PTO 6800		202114991	HS6800
2	*	Gasket	Thickness 0.3mm	108010099	GA6010
			Thickness 0.5mm	108010003	GA6015
			Thickness 1mm	108010100	GA6032
3	8	Washer DIN 125	Ø13	102090009	WA009
4	4	Screw DIN 931 12.9	7/16"x35	116020020	CS20
5	4	Self locking nut DIN985	M12	119020003	NV003
6	1	Bottom gear PTO 6800		201017052	BG052
7	2	Copper Washer	14x20x1.5	102060016	WA016
8	1	Switch N.4001302		100070012	SW012
9	1	Output Shaft Ø 1 1/4"		203017741	OS774
10	1	Woodruff key	1 1/8"x5/16"	106040002	WK002
11	1	Circlip DIN 471	Ø35	101010005	SR005
12	1	Taper roller bearing 32007X		113300046	RB046
13	1	Seal carrier cover		208010891	EC891
14	4	Washer DIN 125	Ø10	102090010	WA020
15	4	Screw DIN 912 8.8	M10x25	116010111	AS111
16	1	Seal BASL (VITON)	35x50x7	112090031	SE031
17	2	Screw DIN 912 8.8	M8x110	116010198	AS198
18	7	Washer DIN 125	Ø8	102010013	WA005
19	1	Cover		208012441	EC441
20	1	Gasket		108010157	GA157
21	1	Screw DIN 912 8.8	M8x25	116010009	AS009
22	2	O-ring 33x3.5 VITON-75	33x3.5	107100032	OR032
23	1	Pneumatic Piston		204010751	PP751
24	1	Circlip DIN 472	Ø70	101020025	SR025
25	1	Locking washer for spring.		200113301	LW301
26	1	Spring		109010013	SP013
27	1	Spring guide		200113291	SG291
28	1	Pneumatic shifting bar.		212110301	SB301
29	1	Spacer fork		200013981	SP981
30	1	Stud DIN 913 14.9		117010005	AS005
31	1	Fork		205010121	FK121
32	1	Piston Liner		200133281	PL281
33	1	O-ring VITON	20x2.5	107100037	OR037
34	1	O-ring VITON	36.17x2.62	107100004	OR004
35	1	Seal BA	19x32x7	112070037	SE037
36	2	Allen Head plug	M22x1.5	118020021	HP021
37	2	Aluminium Washer	22x28x1.5	102050003	WA003
38	4	Axial Disc AS 2035		114010008	WA008
39	3	Bearing K	20x30x30	113010003	RB005
40	1	Pin		203041181	IP181
41	1	Stud DIN 913 14.9	M6x10	117010006	SS009
42	1	Intermediate Gear		201111401	IG401
43	1	Gasket		108010203	GA203
44	4	Screw DIN 912 allen 8.8	M8x20	116010008	AS008
45	1	Housing cover		208013341	HC341
46	2	Circlip DIN 471	Ø20	101010036	SR036
47	4	O-ring VITON	15x2.5	107100030	OR022
48	1	Taper roller bearing 30204		113300035	RB035
49	4	Stud	M12x25	117020043	ST043

**PTO 6800 Series.**

50	1	Pin		203045451	IP451
51	1	Upper gear Fuller.		201111391	UP391
52	1	Taper roller bearing 32304A		113300023	RB023
53	1	O-ring VITON	29x3	107100096	OR045
54	1	Plug	M30x1.5	208020731	AP731
55	1	Rubber plug		208023091	DB091
56	1	Blank cover		208010881	BC881
57	2	Gasket		108010028	GA028
58	1	Taper roller bearing 30205		113300001	RB001
59	1	Stud DIN913	M6x16	117010031	SS031