

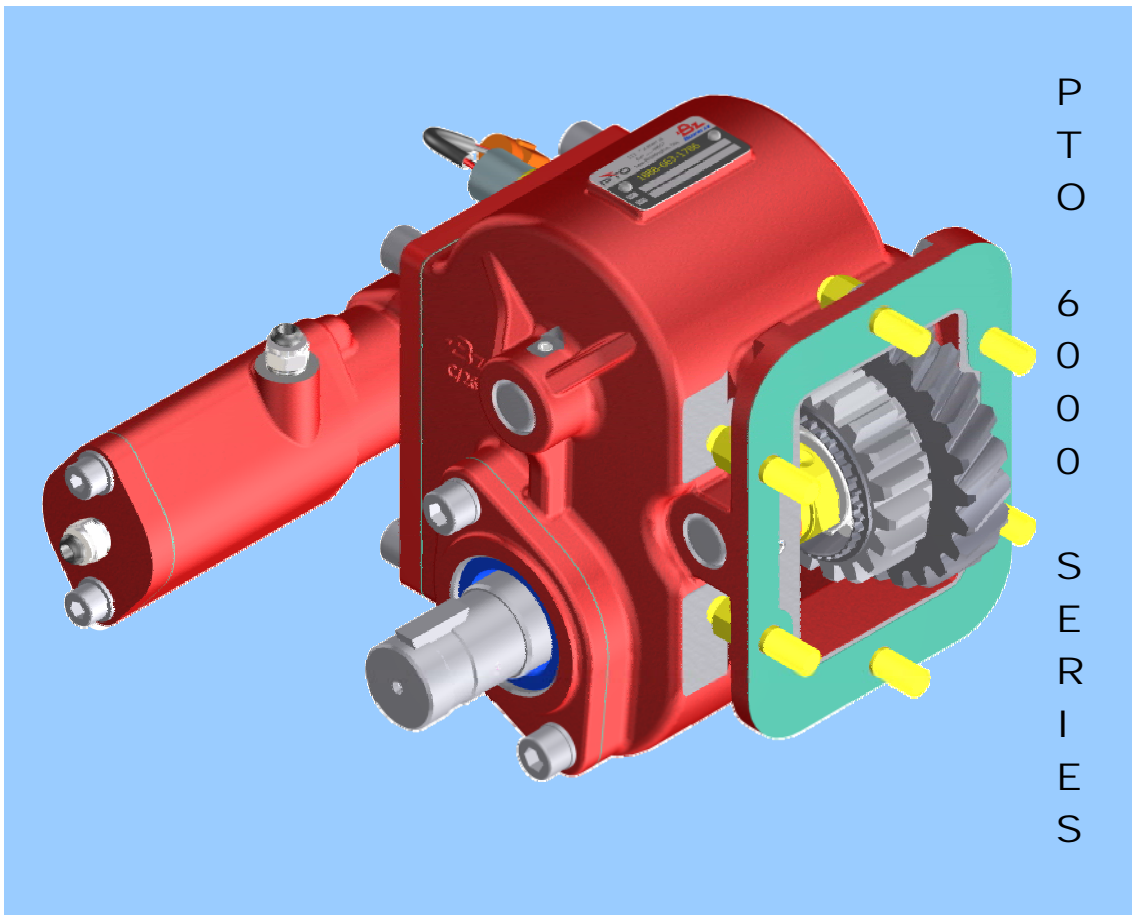
BZ

bezaresusa

PTO 6000

SERIES

PART LIST

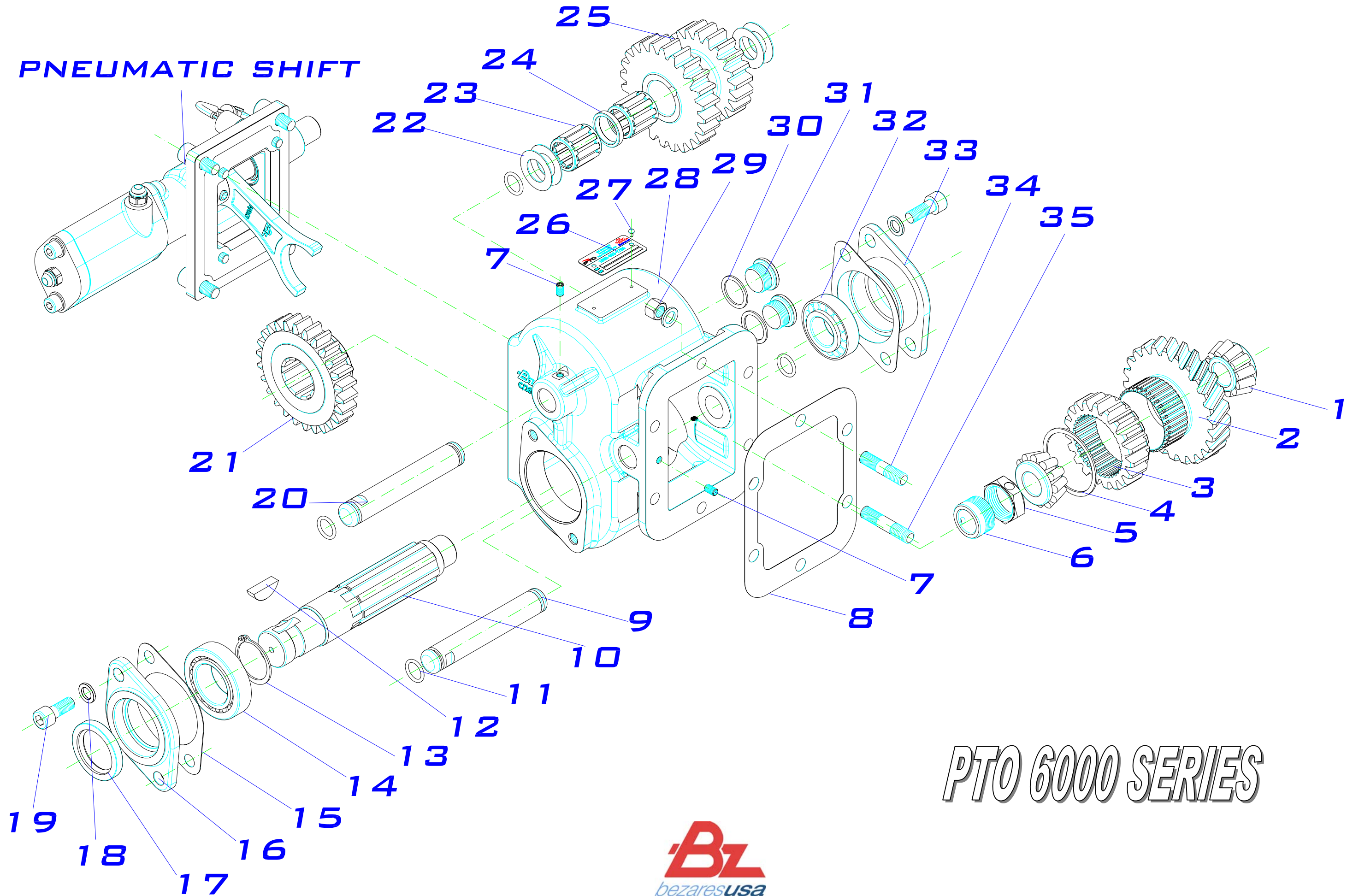


P
T
O

6
0
0
0

S
E
R
I
E
S

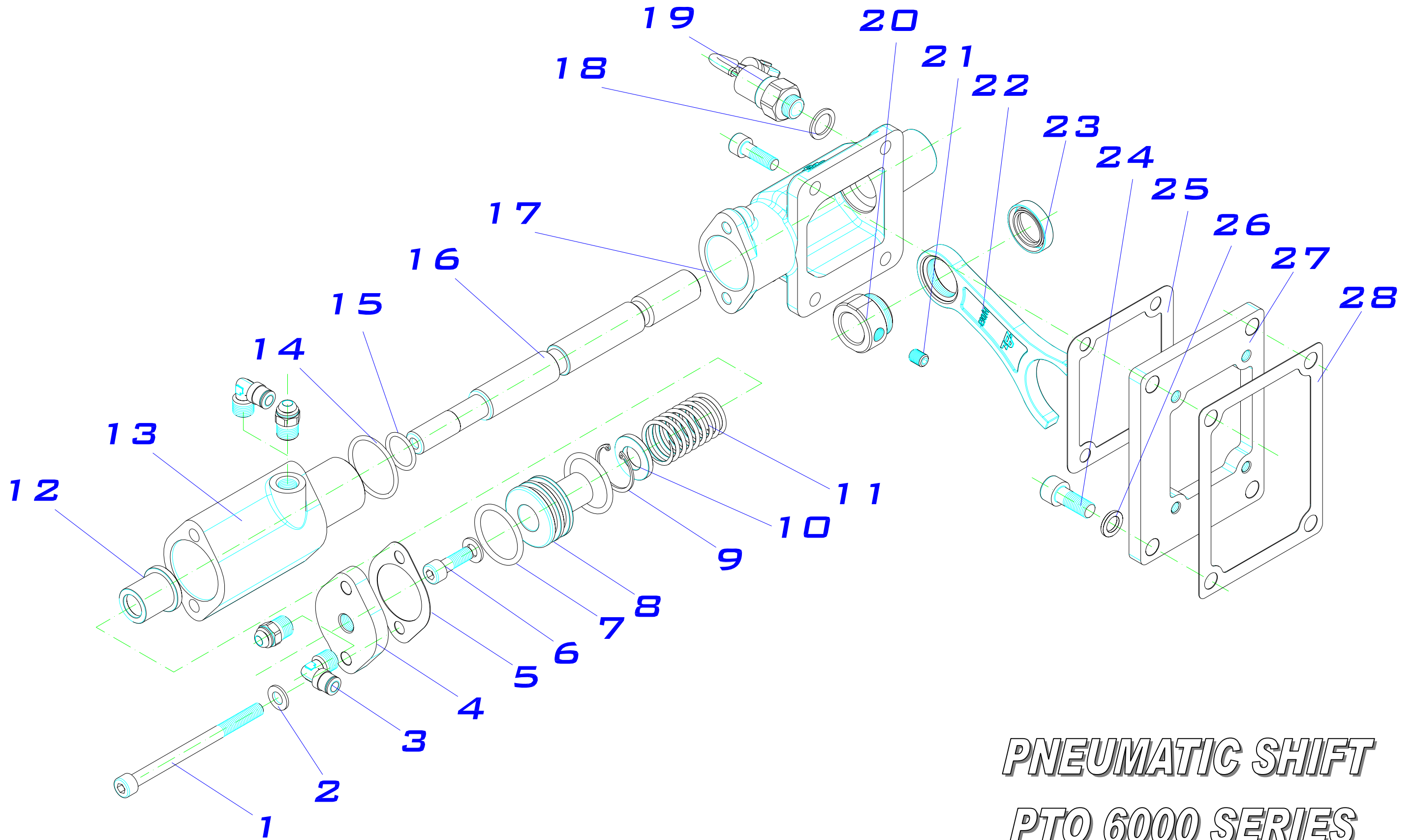
PNEUMATIC SHIFT



PTO 6000 SERIES

PTO 6000 Series.

ITEM	QT.	DESCRIPTION	DIMENS.	CODE	BZ USA Part #
1	2	Taper roller bearing 32304 A.	20x52x22.25	113300023	RB023
2	1	Input gear.		Table 1.	TABLE 1
3	1	Upper gear.		201016861	TABLE 1
4	1	Snap ring WRE	∅ 55	101100001	SR001
5	1	Adjusting nut		204115631	
6	1	Adjusting bush		200115621	
7	2	Stud DIN 913	M6 x 10	117010006	ST006
8	*	Gasket 6 bolt	Spe = 0.5 mm	108010004	GA6015
	*	Gasket 6 bolt	Spe = 0.3 mm	108010102	GA6010
	*	Gasket 6 bolt	Spe = 1 mm	108010103	GA6032
9	1	Upper Idler shaft		203042531	IP531
10	1	Shaft.		203015341	OS341
11	4	O-ring (VITON).	1.5x2.5	107100030	OR022
12	1	Key (woodruff system.).	1 1/8"x5/16"	116040002	WK002
13	1	Snap ring (DIN 471)	∅ 35	101010005	SR005
14	1	Taper roller bearing 32.007x	35x62x18	113300046	RB046
15	2	Gasket.		108010028	GA091
16	1	Seal carrier cover		208010891	SE013
17	1	Oil seal BAF UD2 (VITON)	35x50x7	112090031	SE031
18	10	Washer DIN 125	10.5x16.8x2	102090010	WA010
19	4	Allen Screw DIN 912 8.8	M10x25	116010111	AS111
20	1	Intermediate Idler shaft.		203041181	IP181
21	1	Bottom gear.		201016872	R/872
22	5	Axial disc AS 2035.	20x35x1	114010008	WA008
23	2	Bearing k.	20x30x30	113010003	RB003
24	1	Spacer bush.		209013491	SB491
25	1	Intermediate gear.		201019231	R/231
26	1	Identification plate.		126020002	
27	2	Rivet DIN 7337.	2.4x4	100050003	RI003
28	1	Housing .		202112661	HS6000
29	6	Special nut.	M10x1	119010001	NU001
30	2	Aluminium washer.	22x28x1.5	102050003	WA003
31	2	Plug (L=18mm)	M22x1.5.	118020053	PL053
32	1	Taper roller bearing 30.205	25x52x16.25	113300001	RB001
33	1	Blank cover.		208010881	BC881
34	4	Stud L=42	M10x1- 3/8"(20-17)	117020116	ST116
35	2	Stud L=50	M10x25- 3/8"x17	117020094	ST094



PNEUMATIC SHIFT
PTO 6000 SERIES

PNEUMATIC SHIFT (PTO 6000 Series.)

ITEM	QT.	DESCRIPTION	DIMENS.	CODE	BZ USA Part #
1	2	Screw DIN 912 8.8.	M8x110	116010198	AS198
2	3	Washer DIN 125.	Ø8	102010013	WA013
3	1	Straight quick connector.	¼" BSP	9029116	FI216-S
		Elbow quick connector.		9029216	FI216-E
4	1	Piston cover, open end ¼" BSP.		208012441	PC441
5	1	Gasket.		108010157	GA157
6	5	Allen Screw DIN 912 8.8 .	M8x25	116010009	AS009
7	2	O-ring Viton.	33x3.5	107100032	OR032
8	1	Piston.		204010751	PI751
9	1	Snap ring (DIN 472).	Ø30	101020025	SR025
10	1	Washer.		200113301	LW301
11	1	Spring piston.		109010013	SP013
12	1	Guide spring.		200113291	GS291
13	1	Piston cover.		200133281	PC281
14	1	O-ring (VITON)	36,17x2.62	107100004	OR004
15	1	O-ring (VITON)	20x2.5	107100037	OR037
16	1	Bar pneumatic operation.		212110301	OS301
17	1	Air housing.		202122702	SH701
18	1	Washer (cooper)	14x20	102060016	WA016
19	1	Electrical switch 40012	9/16" UNF	100070012	SW012
20	1	Fork spacer.		200013981	SF981
21	1	Allen stud DIN 913.	M8x10.	117010005	AS005
22	1	Fork.		205010631	SF631
23	2	Oil seal.	19x32x7	112070037	SE017
24	4	Screw DIN 912 8.8.	M10x25	116010111	AS111
25	1	Gasket.		108010022	GA022
26	4	Washer DIN 125.	10.5x16.8x2	102090010	WA010
27	1	Spacer.		209101461	SP461
28	1	Gasket.		108010156	GA156

PTO 6000 SERIES.

TABLE 1 INPUT GEAR.

CODE PTO #	GEAR BOX	INPUT GEAR Z=35
...01...	FULLER SERIES	R/675
...02...	UNIVERSAL	R/683
...03...	SPICER	R/736
...05...	SPICER	R/677
...06...	FULLER (TREMEC)	R/679
...07...	NAVISTAR	R/693
...08...	SPICER	R/682
...09...	SPICER	R/684
...10...	CHEVY	R/678
...11...	CHEVY / SPICER	R/699
...13...	NEW PROCESS	R/718
...14...	FULLER	R737
...15...	EATON / FULLER FS-4005 C/ 4205 C	R/717
...16...	ZF	R/716
...17...	EATON 6305 A	R/680
...18...	EATON FS 3005 / 4005 AB	R/681
...20...	DODGE	R/701
...21...	ZF S5-42 / 5.72	R/676
...22...	EATON / FULLER	R/738
...23...	EATON / FULLER FS-3005 B	R/714
...24...	MACK	R/695
...25...	EATON / FULLER FS 7206 A	R/715
...27...	EATON / FULLER	R/692
...28...	FULLER	R/771
...30...	EATON / FULLER	R/698
...33...	SPICER	R/697
...34...	SPICER	R/696
...36...	NEW PROCESS	R/739
...42...	FULLER	R/770
...50...	ZF	R/694
...51...	DODGE	R/702
...52...	ZED/F	R/700
...57...	ZF	R/740
...61...	FORD	R/754
...66...	FULLER	R/862
...67...	AISIN	R/870
...68...	TREMEC	R/897