

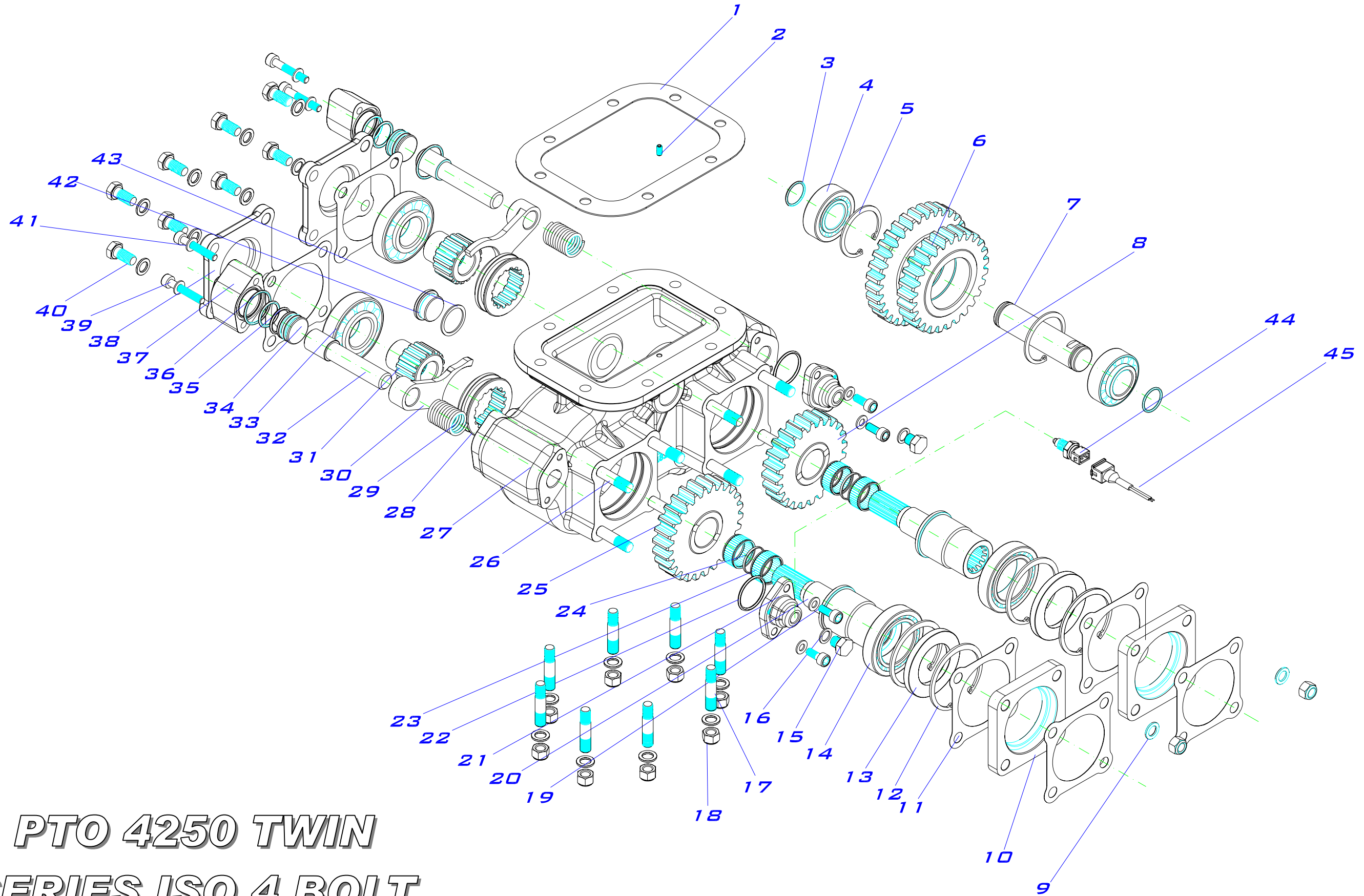


PTO 4250 TWIN SERIES

PART LIST

PTO 4250 TWIN SERIES

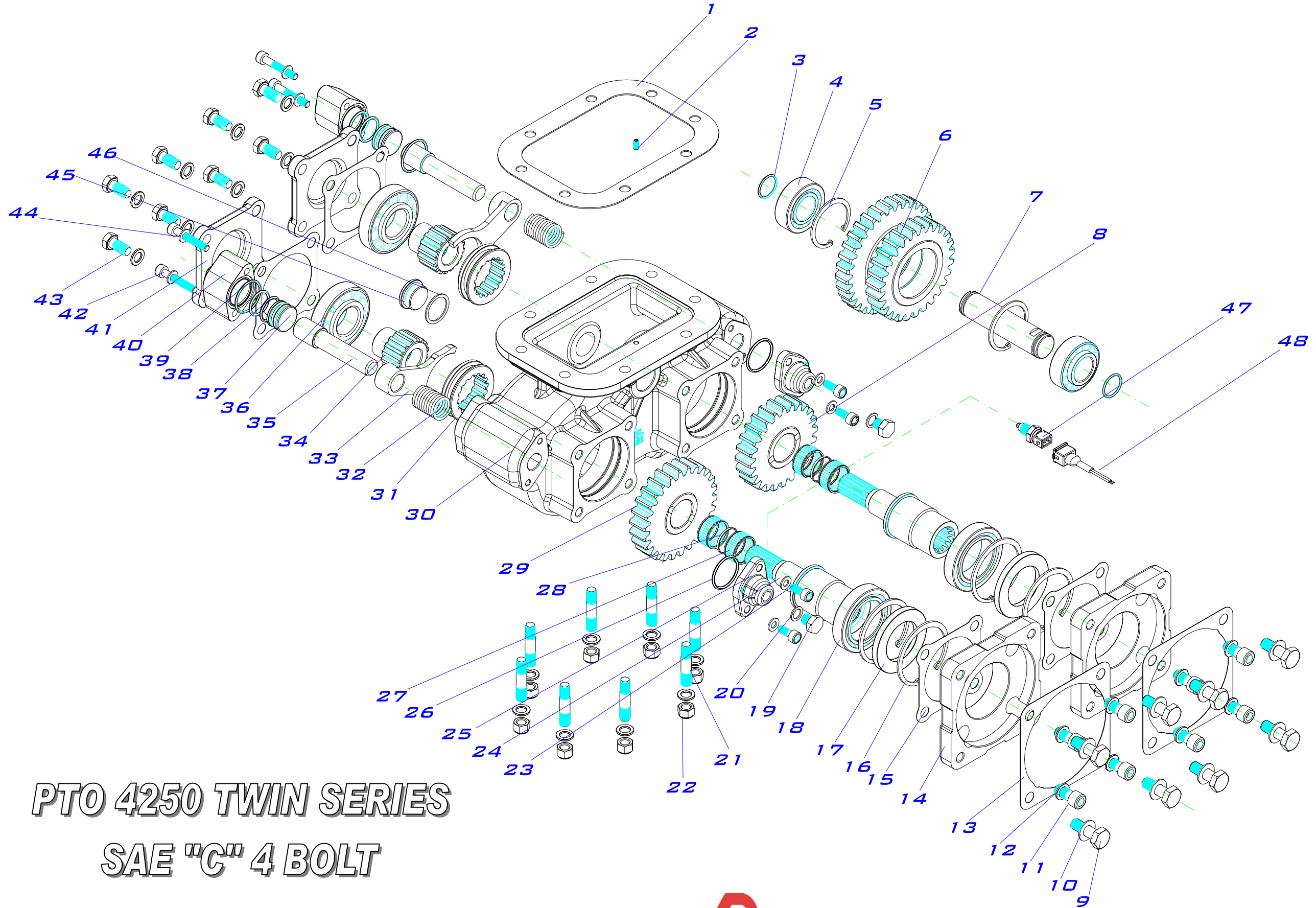




PTO 4250 TWIN SERIES ISO 4 BOLT

PTO 4250 Series TWIN ISO 4 Bolt

| ITEM | QT. | DESCRIPTION | DIMENS. | CODE | BZ USA CODE |
|------|-----|------------------------------|----------------|-----------|-------------|
| 1 | 1 | Gasket | Spe= 0.3 mm | 108010099 | |
| | 1 | Gasket | Spe= 0.5 mm | 108010003 | |
| | 1 | Gasket | Spe= 1 mm | 108010100 | |
| 2 | 1 | Allen set screw DIN 914 | M6x16 | 117010031 | |
| 3 | 2 | O-ring | 25.3x2.4 | 107010074 | |
| 4 | 2 | Taper roller bearing 33206 | 30x62x25 | 113300014 | |
| 5 | 2 | Seeger ring DIN 472 | Ø62 | 101020010 | |
| 6 | 1 | Input gear. | | Table 1 | |
| 7 | 1 | Pin shaft | | 203045041 | |
| 8 | 1 | Output 2. | | Table 1 | |
| 9 | 24 | Washer DIN 125 | 12.5x20x2 | 102090009 | |
| 10 | 2 | Adapter flange | | 202026542 | |
| 11 | 6 | Gasket | | 118010038 | |
| 12 | 4 | Seeger ring DIN 472 | Ø80 | 101020015 | |
| 13 | 2 | BASL seal (EPIDOR) | 50X80X8 | 112090013 | |
| 14 | 2 | Taper roller bearing 32010X | 50x80x20 | 113300021 | |
| 15 | 2 | Switch plug | M12x1.5 | 118020002 | |
| 16 | 2 | Washer | 12x18x1.5 | 102050002 | |
| 17 | 8 | Sealed stud | M12 / 7/16"x55 | 117020084 | |
| 18 | 8 | Self-locking nut DIN 985 | M12 | 119020003 | |
| 19 | 4 | Allen screw DIN 912 8.8 | M8x20 | 116010008 | |
| 20 | 2 | Shaft | | 203024541 | |
| 21 | 2 | Switch carrier cover | | 208011581 | |
| 22 | 2 | O-ring | 36x3 | 107010029 | |
| 23 | 4 | Needle bearing K | 30x35x17 | 113010011 | |
| 24 | 2 | Spacer bush | 30x32x2.5 | 209015561 | |
| 25 | 1 | Output 1. | | Table 1 | |
| 26 | 8 | Stud L=65 | M12-1.75 | 117020049 | |
| 27 | 1 | Housing | | 202114771 | |
| 28 | 2 | Engaging dog | | 207010321 | |
| 29 | 2 | Spring piston DIN 2096 | | 109010031 | |
| 30 | 2 | Fork | | 205010432 | |
| 31 | 2 | Gear bush | | 201017901 | |
| 32 | 2 | Shifter shaft | | 212019431 | |
| 33 | 2 | Paper roller bearing 30307 A | 35x80x22.75 | 113300004 | |
| 34 | 1 | Piston | | 204010531 | |
| 35 | 4 | VITON O-ring | 26x3 | 107100005 | |
| 36 | 2 | VITON O-ring | 36.17x2.62 | 107100004 | |
| 37 | 2 | Piston carrier cover | | 208011573 | |
| 38 | 2 | Blank cover | | 208010711 | |
| 39 | 4 | Screw DIN 912 8.8 | M8x50 | 116010087 | |
| 40 | 8 | Screw DIN 933 | M12x25 | 116030011 | |
| 41 | 8 | Washer DIN 125 | Ø8 | 102010001 | |
| 42 | 1 | Plug | M30x1.5 | 208020731 | |
| 43 | 1 | Washer | 30x37 | 102060010 | |
| 44 | 1 | Electrical switch N. 40007 | M12x15 | 100070001 | |
| 45 | 1 | Conector cable | | 906599 | |



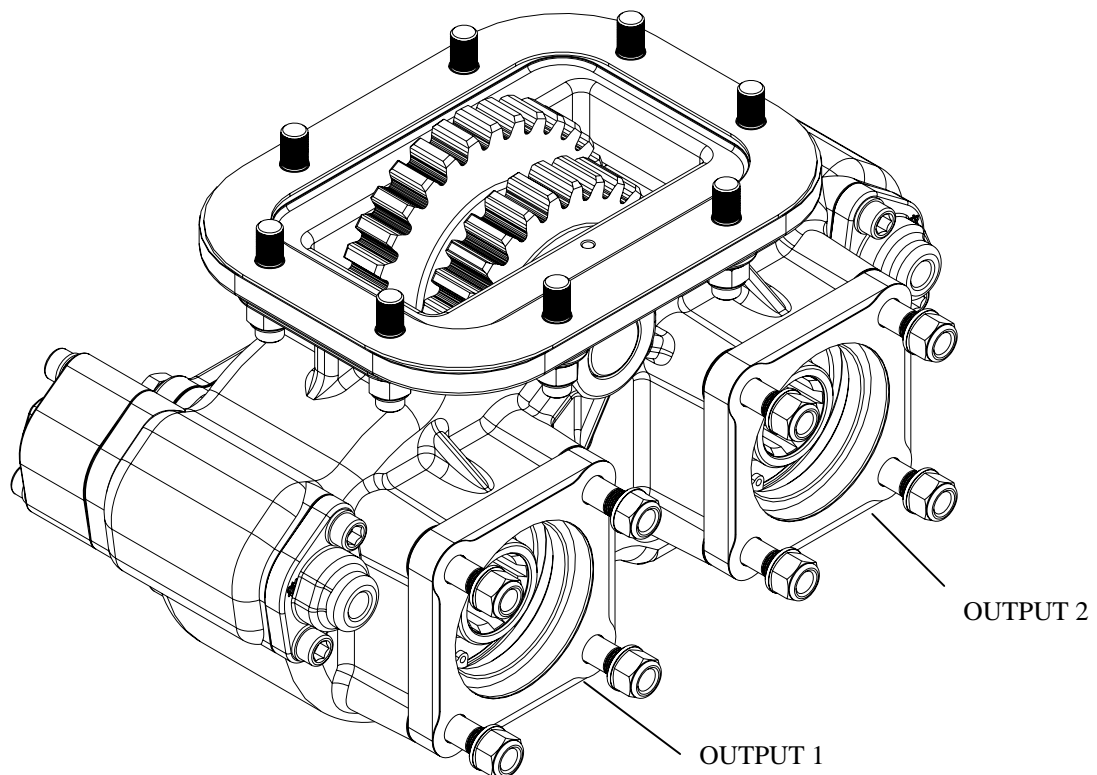
PTO 4250 TWIN SERIES
SAE "C" 4 BOLT

PTO 4250 Series SAE "C" 4 Bolt

| ITEM | QT. | DESCRIPTION | DIMENS. | CODE | BZ USA CODE |
|------|-----|------------------------------|----------------|-----------|-------------|
| 1 | 1 | Gasket | Spe= 0.3 mm | 108010099 | |
| | 1 | Gasket | Spe= 0.5 mm | 108010003 | |
| | 1 | Gasket | Spe= 1 mm | 108010100 | |
| 2 | 1 | Allen set screw DIN 914 | M6x16 | 117010031 | |
| 3 | 2 | O-ring | 25.3x2.4 | 107010074 | |
| 4 | 2 | Taper roller bearing 33206 | 30x62x25 | 113300014 | |
| 5 | 2 | Seeger ring DIN 472 | Ø622 | 101020010 | |
| 6 | 1 | Input gear. | | Table 1 | |
| 7 | 1 | Pin shaft | | 203045041 | |
| 8 | 1 | Output 2. | | Table 1 | |
| 9 | 8 | Screw DIN 931 8.8 | ½" UNC 12HX32 | 116020025 | |
| 10 | 8 | Washer DIN 125 | Ø13 | 102010002 | |
| 11 | 8 | Screw DIN 912 8.8 | M12X25 | 116010061 | |
| 12 | 24 | Washer DIN 125 | 12.5x20x2 | 102090009 | |
| 13 | 2 | Gasket | | 118010129 | |
| 14 | 2 | Adapter flange | | 202121191 | |
| 15 | 4 | Gasket | | 118010038 | |
| 16 | 4 | Seeger ring DIN 472 | Ø80 | 101020015 | |
| 17 | 2 | BASL seal (EPIDOR) | 50X80X8 | 112090013 | |
| 18 | 2 | Taper roller bearing 32010X | 30x80x20 | 113300021 | |
| 19 | 2 | Switch plug | M12x1.5 | 118020002 | |
| 20 | 2 | Washer | 12x18x1.5 | 102050002 | |
| 21 | 8 | Sealed stud | M12 / 7/16"x55 | 117020084 | |
| 22 | 8 | Self-locking nut DIN 985 | M12 | 119020003 | |
| 23 | 4 | Allen screw DIN 912 8.8 | M8x20 | 116010008 | |
| 24 | 2 | Shaft | | 203024521 | |
| 25 | 2 | Switch carrier cover | | 208011581 | |
| 26 | 2 | O-ring | 36x3 | 107010029 | |
| 27 | 4 | Needle bearing K | 30x35x17 | 113010011 | |
| 28 | 2 | Spacer bush | 30x32x2.5 | 209015561 | |
| 29 | 1 | Output 1. | | Table 1 | |
| 30 | 1 | Housing | | 202114771 | |
| 31 | 2 | Engaging dog | | 207010321 | |
| 32 | 2 | Spring piston DIN 2096 | | 109010031 | |
| 33 | 2 | Fork | | 205010432 | |
| 34 | 2 | Gear bush | | 201017901 | |
| 35 | 2 | Shifter shaft | | 212019431 | |
| 36 | 2 | Paper roller bearing 30307 A | 35x80x22.75 | 113300004 | |
| 37 | 1 | Piston | | 204010531 | |
| 38 | 4 | VITON O-ring | 26x3 | 107100005 | |
| 39 | 2 | VITON O-ring | 36.17x2.62 | 107100004 | |
| 40 | 2 | Piston carrier cover | | 208011573 | |
| 41 | 2 | Blank cover | | 208010711 | |
| 42 | 4 | Screw DIN 912 8.8 | M8x50 | 116010087 | |
| 43 | 8 | Screw DIN 933 | M12x25 | 116030011 | |
| 44 | 8 | Washer DIN 125 | Ø8 | 102010001 | |
| 45 | 1 | Plug | M30x1.5 | 208020731 | |
| 46 | 1 | Washer | 30x37 | 102050011 | |
| 47 | 1 | Electrical switch N. 40007 | M12x15 | 100070001 | |
| 48 | 1 | Conector cable | | 906599 | |

TABLE1 PTO RATIO GEAR SET 4250 SERIES

| | INPUT GEAR | | | OUTPUT GEAR | | | | | |
|---------------------------|------------|----------------|----------------|-------------|----|------------------|----------|----|------------------|
| | REF | Z | | OUTPUT 1 | | | OUTPUT 2 | | |
| | | SM. CLUSTER | LG. CLUSTER | REF. | Z | RATIO | REF. | Z | RATIO |
| PTO 4250 (TWIN OUTPUT) | R/890 | 25 | 32 | R/783 | 26 | 96% C | R/893 | 28 | 89% B |
| | R/881 | 27 | 32 | R/785 | 24 | 112% E | R/783 | 26 | 104% C |
| | R/891 | 29 | 32 | R/578 | 22 | 132% J | R/785 | 24 | 121% E |
| | G/097 | 32 | 32 | G/098 | 19 | 168% O | G/099 | 21 | 152% J |



PTO 4250 TWIN SERIES