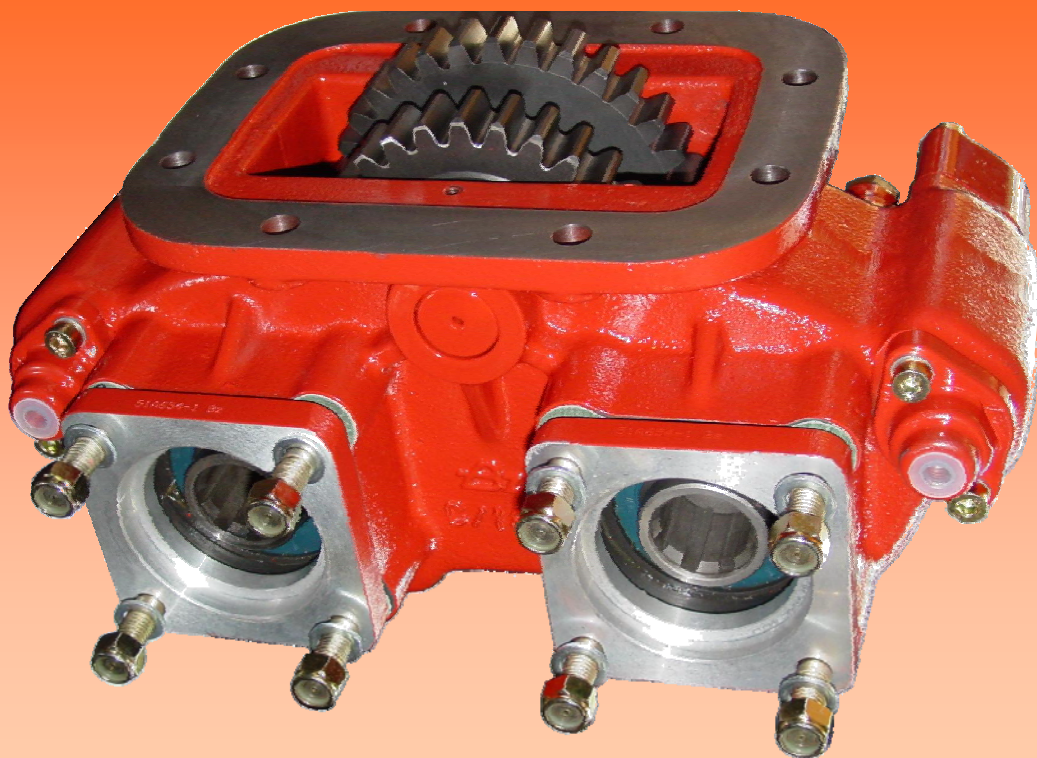


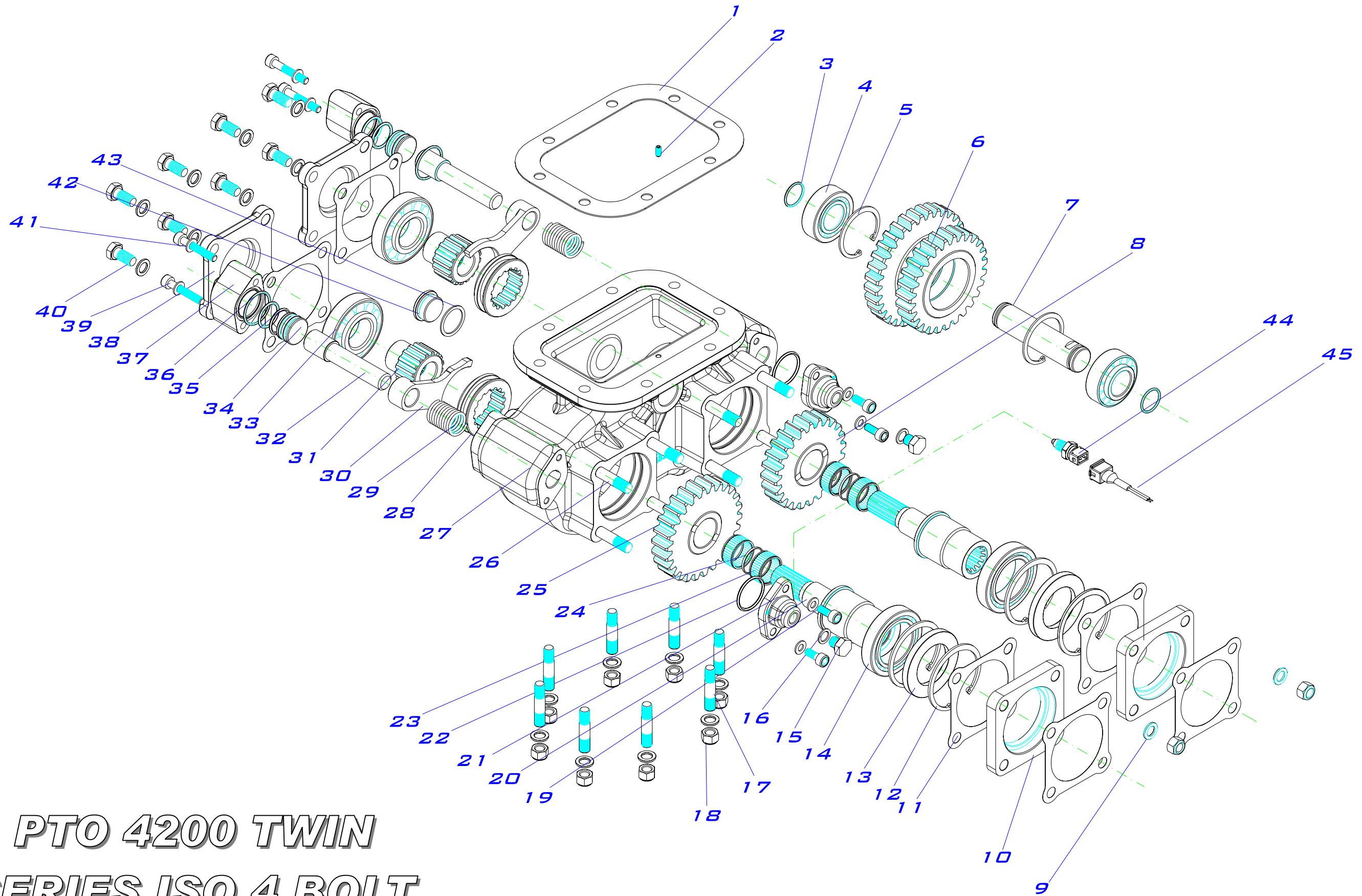


# PTO 4200 TWIN SERIES

PART LIST

PTO 4200 TWIN SERIES

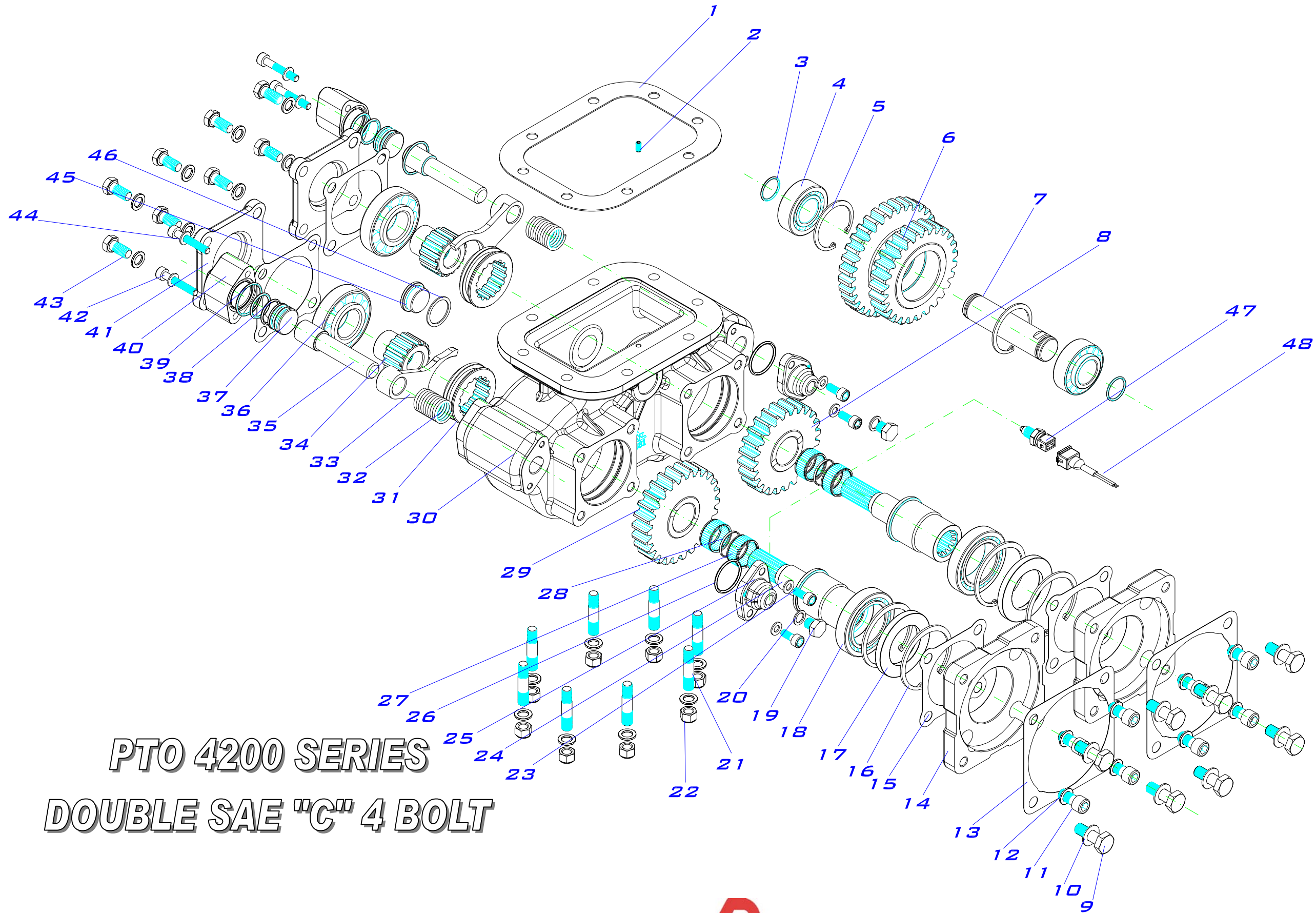




# PTO 4200 TWIN SERIES ISO 4 BOLT

## PTO 4200 Series TWIN ISO 4 Bolt

| ITEM | QT. | DESCRIPTION                  | DIMENS.        | CODE      | BZ USA Part # |
|------|-----|------------------------------|----------------|-----------|---------------|
| 1    | 1   | Gasket                       | Spe= 0.3 mm    | 108010099 | GA8010        |
|      | 1   | Gasket                       | Spe= 0.5 mm    | 108010003 | GA8015        |
|      | 1   | Gasket                       | Spe= 1 mm      | 108010100 | GA8032        |
| 2    | 1   | Allen set screw DIN 914      | M6x16          | 117010031 | SS008         |
| 3    | 2   | O-ring                       | 25.3x2.4       | 107010074 | OR074         |
| 4    | 2   | Taper roller bearing 33206   | 30x62x25       | 113300014 | RB014         |
| 5    | 2   | Seeger ring DIN 472          | Ø62            | 101020010 | SR010         |
| 6    | 1   | Imput gear.                  |                | Table 1   | TABLE 1       |
| 7    | 1   | Pin shaft                    |                | 203045041 | IP041         |
| 8    | 1   | Output 2.                    |                | Table 1   | TABLE 1       |
| 9    | 24  | Washer DIN 125               | 12.5x20x2      | 102090009 | WA009         |
| 10   | 2   | Adapter flange               |                | 202026542 | FL542         |
| 11   | 6   | Gasket                       |                | 118010038 | GA4015EC      |
| 12   | 4   | Seeger ring DIN 472          | Ø80            | 101020015 | SR015         |
| 13   | 2   | BASL seal (EPIDOR)           | 50X80X8        | 112090013 | SE011         |
| 14   | 2   | Taper roller bearing 32010X  | 50x80x20       | 113300021 | RB021         |
| 15   | 2   | Switch plug                  | M12x1.5        | 118020002 | AP002         |
| 16   | 2   | Washer                       | 12x18x1.5      | 102050002 | WA002         |
| 17   | 8   | Sealed stud                  | M12 / 7/16"x55 | 117020084 | ST084         |
| 18   | 8   | Self-locking nut DIN 985     | M12            | 119020003 | NU003         |
| 19   | 4   | Allen screw DIN 912 8.8      | M8x20          | 116010008 | AS008         |
| 20   | 2   | Shaft                        |                | 203024541 | OS541         |
| 21   | 2   | Switch carrier cover         |                | 208011581 | EC581         |
| 22   | 2   | O-ring                       | 36x3           | 107010029 | OR029         |
| 23   | 4   | Needle bearing K             | 30x35x17       | 113010011 | RB011         |
| 24   | 2   | Spacer bush                  | 30x32x2.5      | 209015561 | SB561         |
| 25   | 1   | Output 1.                    | 1              | Table 1   | TABLE 1       |
| 26   | 8   | Stud L=65                    | M12-1.75       | 117020049 | ST049         |
| 27   | 1   | Housing                      |                | 202111811 | HS4200        |
| 28   | 2   | Engaging dog                 |                | 207010321 | CC321         |
| 29   | 2   | Spring piston DIN 2096       |                | 109010031 | SP031         |
| 30   | 2   | Fork                         |                | 205010432 | SF432         |
| 31   | 2   | Gear bush                    |                | 201017901 | GB901         |
| 32   | 2   | Shifter shaft                |                | 212019431 | SB431         |
| 33   | 2   | Paper roller bearing 30307 A | 35x80x22.75    | 113300004 | RB004         |
| 34   | 1   | Piston                       |                | 204010531 | PI531         |
| 35   | 4   | VITON O-ring                 | 26x3           | 107100005 | OR005         |
| 36   | 2   | VITON O-ring                 | 36.17x2.62     | 107100004 | OR004         |
| 37   | 2   | Piston carrier cover         |                | 208011573 | PC573         |
| 38   | 2   | Blank cover                  |                | 208010711 | EC711         |
| 39   | 4   | Screw DIN 912 8.8            | M8x50          | 116010087 | AS087         |
| 40   | 8   | Screw DIN 933                | M12x25         | 116030011 | CS011         |
| 41   | 8   | Washer DIN 125               | Ø8             | 102010001 | WA001         |
| 42   | 1   | Plug                         | M30x1.5        | 208020731 | PL731         |
| 43   | 1   | Washer                       | 30x37          | 102060010 | WA010         |
| 44   | 1   | Electrical switch N. 40007   | M12x15         | 100070001 | SW002         |
| 45   | 1   | Conector cable               |                | 906599    | SWK599        |



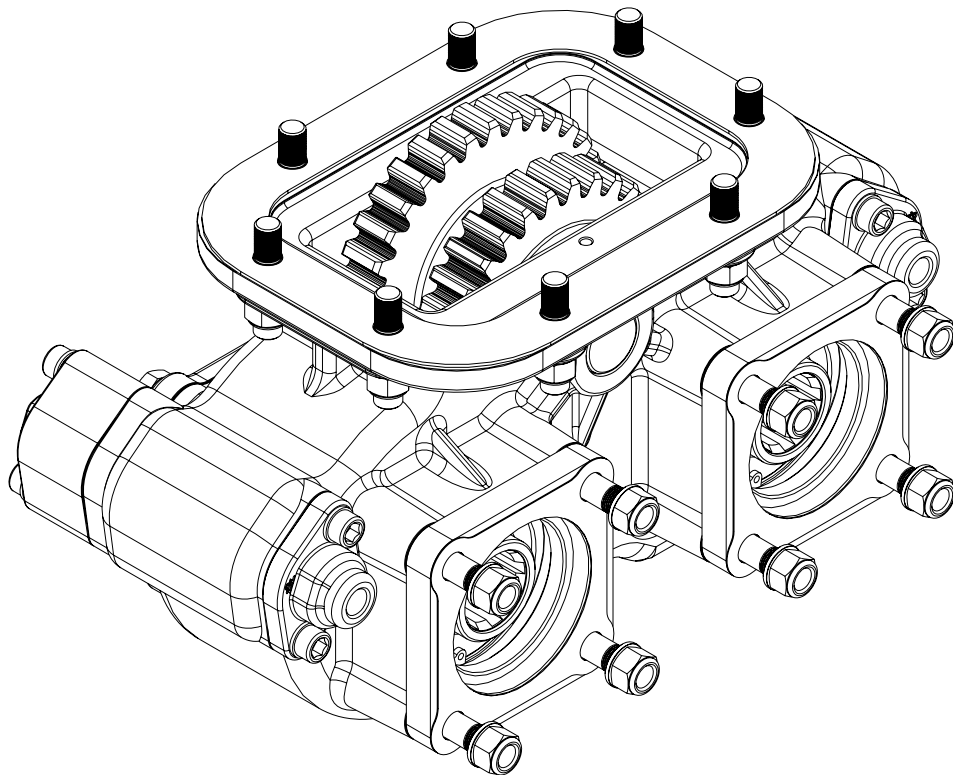
# PTO 4200 SERIES DOUBLE SAE "C" 4 BOLT

**PTO 4200 Series SAE "C" 4 Bolt**

| ITEM | QT. | DESCRIPTION                  | DIMENS.        | CODE      | BZ USA Part # |
|------|-----|------------------------------|----------------|-----------|---------------|
| 1    | 1   | Gasket                       | Spe= 0.3 mm    | 108010099 | GA8010        |
|      | 1   | Gasket                       | Spe= 0.5 mm    | 108010003 | GA8015        |
|      | 1   | Gasket                       | Spe= 1 mm      | 108010100 | GA8032        |
| 2    | 1   | Allen set screw DIN 914      | M6x16          | 117010031 | SS008         |
| 3    | 2   | O-ring                       | 25.3x2.4       | 107010074 | OR074         |
| 4    | 2   | Taper roller bearing 33206   | 30x62x25       | 113300014 | RB014         |
| 5    | 2   | Seeger ring DIN 472          | Ø622           | 101020010 | SR010         |
| 6    | 1   | Imput gear.                  |                | Table 1   | TABLE 1       |
| 7    | 1   | Pin shaft                    |                | 203045041 | IP041         |
|      | 1   | Output 2.                    |                | Table 1   | TABLE 1       |
| 9    | 8   | Screw DIN 931 8.8            | ½" UNC 12HX32  | 116020025 | CS025         |
| 10   | 8   | Washer DIN 125               | Ø13            | 102010002 | WA002         |
| 11   | 8   | Screw DIN 912 8.8            | M12X25         | 116010061 | CS061         |
| 12   | 24  | Washer DIN 125               | 12.5x20x2      | 102090009 | WA009         |
| 13   | 2   | Gasket                       |                | 118010129 | GA129         |
| 14   | 2   | Adapter flange               |                | 202121191 | FL191         |
| 15   | 4   | Gasket                       |                | 118010038 | GA4015EC      |
| 16   | 4   | Seeger ring DIN 472          | Ø80            | 101020015 | SR015         |
| 17   | 2   | BASL seal (EPIDOR)           | 50X80X8        | 112090013 | SE011         |
| 18   | 2   | Taper roller bearing 32010X  | 30x80x20       | 113300021 | RB021         |
| 19   | 2   | Switch plug                  | M12x1.5        | 118020002 | AP002         |
| 20   | 2   | Washer                       | 12x18x1.5      | 102050002 | WA002         |
| 21   | 8   | Sealed stud                  | M12 / 7/16"x55 | 117020084 | ST084         |
| 22   | 8   | Self-locking nut DIN 985     | M12            | 119020003 | NU003         |
| 23   | 4   | Allen screw DIN 912 8.8      | M8x20          | 116010008 | AS008         |
| 24   | 2   | Shaft                        |                | 203024521 | OS521         |
| 25   | 2   | Switch carrier cover         |                | 208011581 | EC581         |
| 26   | 2   | O-ring                       | 36x3           | 107010029 | OR029         |
| 27   | 4   | Needle bearing K             | 30x35x17       | 113010011 | RB011         |
| 28   | 2   | Spacer bush                  | 30x32x2.5      | 209015561 | SB561         |
| 29   | 1   | Output 1.                    |                | Table 1   | TABLE1        |
| 30   | 1   | Housing                      |                | 202111811 | HS4200        |
| 31   | 2   | Engaging dog                 |                | 207010321 | CC321         |
| 32   | 2   | Spring piston DIN 2096       |                | 109010031 | SP031         |
| 33   | 2   | Fork                         |                | 205010432 | SF432         |
| 34   | 2   | Gear bush                    |                | 201017901 | GB901         |
| 35   | 2   | Shifter shaft                |                | 212019431 | SB431         |
| 36   | 2   | Paper roller bearing 30307 A | 35x80x22.75    | 113300004 | RB004         |
| 37   | 1   | Piston                       |                | 204010531 | PI531         |
| 38   | 4   | VITON O-ring                 | 26x3           | 107100005 | OR005         |
| 39   | 2   | VITON O-ring                 | 36.17x2.62     | 107100004 | OR004         |
| 40   | 2   | Piston carrier cover         |                | 208011573 | PC573         |
| 41   | 2   | Blank cover                  |                | 208010711 | EC711         |
| 42   | 4   | Screw DIN 912 8.8            | M8x50          | 116010087 | AS087         |
| 43   | 8   | Screw DIN 933                | M12x25         | 116030011 | CS011         |
| 44   | 8   | Washer DIN 125               | Ø8             | 102010001 | WA001         |
| 45   | 1   | Plug                         | M30x1.5        | 208020731 | PL731         |
| 46   | 1   | Washer                       | 30x37          | 102050011 | WA011         |
| 47   | 1   | Electrical switch N. 40007   | M12x15         | 100070001 | SW002         |
| 48   | 1   | Conector cable               |                | 906599    | SWK599        |

TABLE1 PTO RATIO GEAR SET 4200 SERIES

| PTO                                     | INPUT GEAR   |                |                | OUTPUT GEAR  |           |             |              |           |             |
|---|--------------|----------------|----------------|--------------|-----------|-------------|--------------|-----------|-------------|
|   | REF          | Z              |                | OUTPUT 1     |           |             | OUTPUT 2     |           |             |
|   |              | SM.<br>CLUSTER | LG.<br>CLUSTER | REF.         | Z         | RATIO       | REF.         | Z         | RATIO       |
| <i>PTO 4200</i><br><i>(TWIN OUTPUT)</i> | <i>R/889</i> | <i>23</i>      | <i>32</i>      | <i>R/892</i> | <i>30</i> | <i>77%</i>  | <i>R/893</i> | <i>28</i> | <i>82%</i>  |
|   | <i>R/890</i> | <i>25</i>      | <i>32</i>      | <i>R/893</i> | <i>28</i> | <i>89%</i>  | <i>R/783</i> | <i>26</i> | <i>96%</i>  |
|   | <i>R/881</i> | <i>27</i>      | <i>32</i>      | <i>R/783</i> | <i>26</i> | <i>104%</i> | <i>R/785</i> | <i>24</i> | <i>112%</i> |
|   | <i>R/891</i> | <i>29</i>      | <i>32</i>      | <i>R/785</i> | <i>24</i> | <i>121%</i> | <i>R/578</i> | <i>22</i> | <i>132%</i> |



PTO 4200 TWIN SERIES