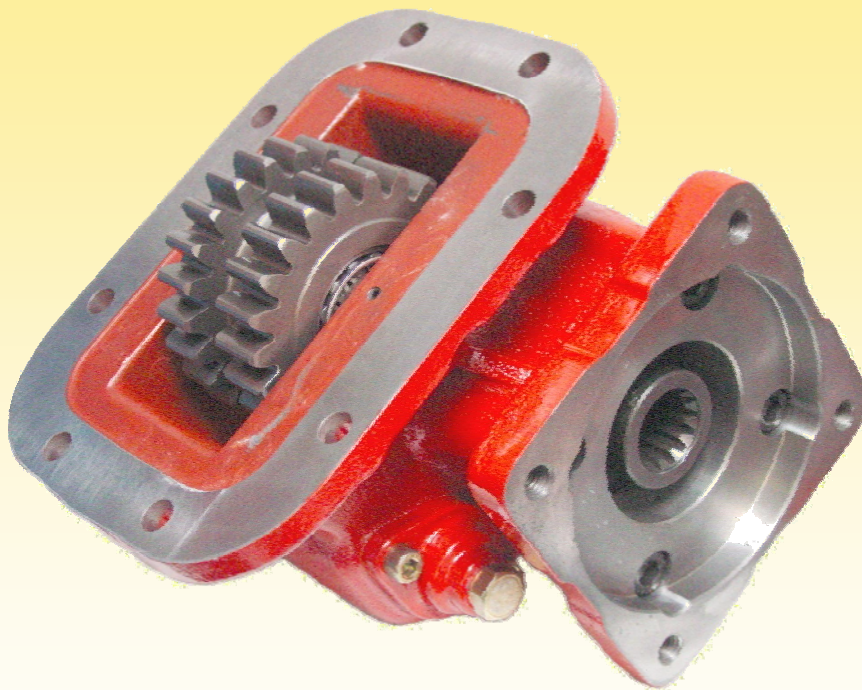


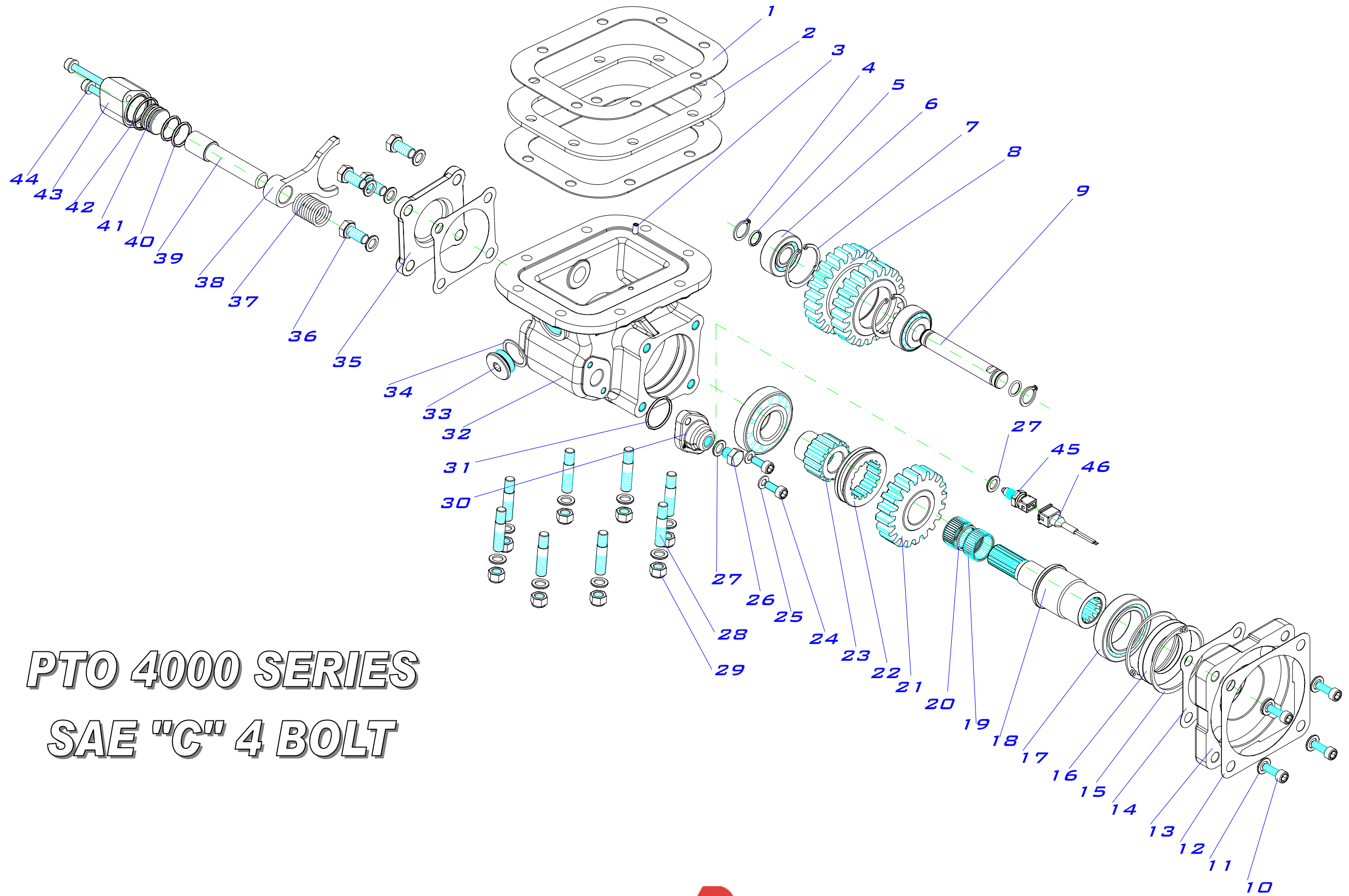
# BZ

*bezaresusa*

## PTO 4000/4100 SERIES

PART LIST

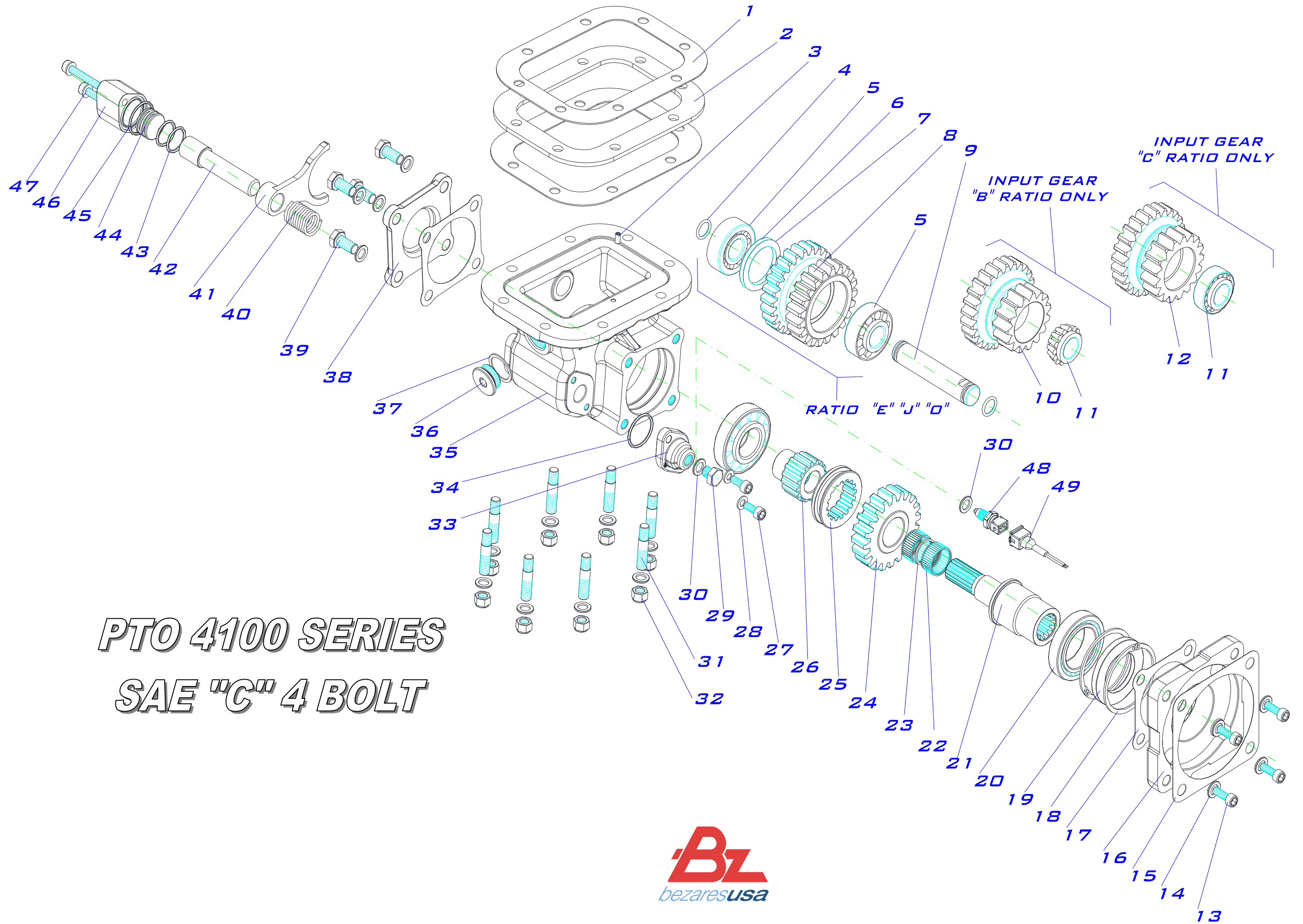




# PTO 4000 SERIES SAE "C" 4 BOLT

**PTO 4000 Series SAE "C" 4 Bolt**

ITEM	QT.	DESCRIPTION	DIMENS.	CODE	BZ USA CODE
1	1	Gasket	Spe= 0.3 mm	108010099	GA8010
	2	Gasket	Spe= 0.5 mm	108010003	GA8015
	1	Gasket	Spe= 1 mm	108010100	GA8032
2	1	Spacer		202028082	SP082
3	1	Allen set screw DIN 914	M6x12	117010009	AS009
4	2	Snap ring DIN 471 AS	Ø 20	101010036	SR0036
5	2	O-ring (VITON)	ø15x2.5	107100030	OR022
6	2	Taper roller bearing 32304A	20x52x22.25	113300023	RB023
7	2	Seeger ring DIN 472	Ø52	101020007	SR007
8	1	Double upper gear		Table 1	TABLE 1
9	1	Idler shaft, standard		203045451	IP531
10	4	Screw DIN 912 8.8	M12x25	116010061	AS061
11	16	Washer DIN 125	Ø12.5x20x2	102090009	WA009
12	1	Gasket		108010129	GA129
13	1	Adapter flange		202121191	FL191
14	2	Gasket		108010038	GA4015EC
15	2	Seeger ring DIN 472	Ø80	101020015	SR015
16	1	BABSL seal (VITON).	50X80X8	112110007	SE011
17	1	Taper roller bearing 32010X	50x80x20	113300021	RB021
18	1	Shaft		203024521	OS521
19	2	Needle bearing K	30x35x17	113010011	RB011
20	1	Spacer bush		209015561	
21	1	Bottom gear		Table 1	TABLE 1
22	1	Engaging dog		207010321	CC321
23	1	Gear bush		201017901	GB901
24	2	Allen screw DIN 912 8.8	M8x20	116010008	AS008
25	4	Washer DIN 125	Ø8	102010001	WA005
26	1	Switch plug	M12x1.5	118020002	AP002
27	1	Washer	12x18x1.5	102050002	WA002
28	8	Sealed stud	M12 / 7/16"x55	117020084	ST084
29	8	Self-locking nut DIN 985	M12	119020003	NU003
30	1	Switch carrier cover		208011581	EC581
31	1	Gasket	36x3	107010029	OR029
32	1	Housing (position 3)		202016633	HS4010-3
		Housing (position 1)		202112731	HS4010-1
33	1	Plug	M30x1.5	208020731	PL731
34	1	Washer	30x37	102050011	WA013
35	1	Blank cover		208010711	EC711
36	4	Screw DIN 933	M12x25	116030011	CS011
37	1	Spring piston DIN 2096		109010031	SP031
38	1	Fork		205010434	SF434
39	1	Shifter shaft		212019431	SB431
40	2	VITON O-ring	26x3	107100005	OR005
41	1	Piston		204010531	PI531
42	1	VITON O-ring	36.17x2.62	107100004	OR004
43	1	Piston carrier cover		208011573	PC573
44	2	Screw DIN 912 8.8	M8x50	116010043	AS087
45	1	Electrical switch N. 4030	M12-150	100070001	SW002
46	1	Conector cable		906599	SWK599



# PTO 4100 SERIES SAE "C" 4 BOLT

**PTO 4100 Series SAE "C" 4 Bolt**

ITEM	QT.	DESCRIPTION	DIMENS.	CODE	BZ USA CODE
1	1	Gasket	Spe= 0.3 mm	108010099	GA8010
	2	Gasket	Spe= 0.5 mm	108010003	GA8015
	1	Gasket	Spe= 1 mm	108010100	GA8032
2	1	Spacer		202028082	SP082
3	1	Allen set screw DIN 913	M6x8	117010010	SS010
4	2	O-ring (VITON)	ø19,2x3	107100029	OR029
5	2	Taper roller bearing	Table 1	Table 1	RB026
6	1	Washer PS (AS SETTING)	50x62x0,3	103010034	
7	1	Washer PS (AS SETTING)	50x62x0,5	103010007	
8	1	Double upper gear		Table 2	TABLE 2
9	1	Idler shaft, standard		203045771	IP771
10	1	Double upper gear only ratio "B"		Table 2	TABLE 2
11	1	Taper roller bearing	Table 1	Table 1	
12	1	Double upper gear only ratio "C"		Table 2	TABLE 2
13	4	Screw DIN 912 8.8	M12x25	116010061	CS061
14	16	Washer DIN 125	Ø12.5x20x2	102090009	WA009
15	1	Gasket		108010129	GA129
16	1	Adapter flange		202121191	FL191
17	2	Gasket		108010038	GA4015EC
18	2	Seeger ring DIN 472	Ø80	101020015	SR015
19	1	BABSL seal (VITON).	50X80X8	112110007	SE011
20	1	Taper roller bearing 32010X	50x80x20	113300021	RB021
21	1	Shaft		203024521	OS521
22	2	Needle bearing K	30x35x17	113010011	RB011
23	1	Spacer bush		209015561	
24	1	Bottom gear		Table 2	TABLE 2
25	1	Engaging dog		207010321	CC321
26	1	Gear bush		201017901	GB901
27	2	Allen screw DIN 912 8.8	M8x20	116010008	AS008
28	2	Washer DIN 125 zinc plated	Ø8	102010013	WA005
29	1	Switch plug with o-ring	M12x1.5	118020047	AD047
31	8	Sealed stud	M12 / 7/16"x55	117020084	ST084
32	8	Self-locking nut DIN 985	M12	119020003	NU003
33	1	Switch carrier cover		208011581	EC581
34	1	O-ring	36x3	107010029	OR029
35	1	Housing (position 3)		202016635	HS4100-3
		Housing (position 1)		202112732	HS4100-1
36	1	Plug	M30x1.5	208020731	PL731
37	1	O-ring	29x3	107100096	OR045
38	1	Blank cover		208010711	EC711
39	4	Screw DIN 933	M12x25	116030011	CS011
40	1	Spring piston DIN 2096		109010031	SP031
41	1	Fork		205010434	SF434
42	1	Shifter shaft		212019431	SB431
43	2	VITON O-ring	26x3	107100005	OR005
44	1	Piston		204010531	PI531
45	1	VITON O-ring	36.17x2.62	107100004	OR004

<b>ITEM</b>	<b>QT.</b>	<b>DESCRIPTION</b>	<b>DIMENS.</b>	<b>CODE</b>	<b>BZ USA CODE</b>
46	1	Piston carrier cover		208011573	PC573
47	2	Screw DIN 912 8.8	M8x50	116010143	
48	1	Electrical switch N. 4030	M12-150	100070001	SW002
49	1	Conector cable		906599	SWK599

TABLE 1. CONICAL BEARING

<b>RATIO</b>	<b>BEARING PART NUMBER</b>	<b>DIMENSION BEARING</b>	<b>ITEM</b>
<b>B</b>	113300026	25X62X25,25 (32305)	5
	113300027	25X52X22 (33205)	11
<b>C</b>	113300026	25X62X25,25 (32305)	5
	113300027	25X52X22 (33205)	11
<b>E</b>	113300026	25X62X25,25 (32305)	5
	113300026	25X62X25,25 (32305)	5
<b>G</b>	113300026	25X62X25,25 (32305)	5
	113300026	25X62X25,25 (32305)	5
<b>J</b>	113300026	25X62X25,25 (32305)	5
	113300026	25X62X25,25 (32305)	5

**TABLE 1 PTO RATIO GEAR SET 4000 SERIES**

**FULLER SERIES #01**

RATIO	CODE	BOTTOM GEAR	UPPER GEAR
RATIO "B": 57%	802334-01	R/783	R/782
RATIO "C": 70%	802434-01	R/785	R/784
RATIO "E": 86%	802534-01	R/578	R/577
RATIO "J": 105%	802634-01	R/787	R/786
RATIO "O": 127%	802734-01	R/792	R/791

**MACK #24**

RATIO	CODE	BOTTOM GEAR	UPPER GEAR
RATIO "B": 57%	802334-24	R/783	R/835
RATIO "C": 70%	802434-24	R/785	R/834
RATIO "E": 86%	802534-24	R/578	R/614
RATIO "J": 105%	802634-24	R/787	R/867
RATIO "O": 127%	802734-24	R/792	R/825



**TABLE 2 PTO RATIO GEAR SET 4100 SERIES**

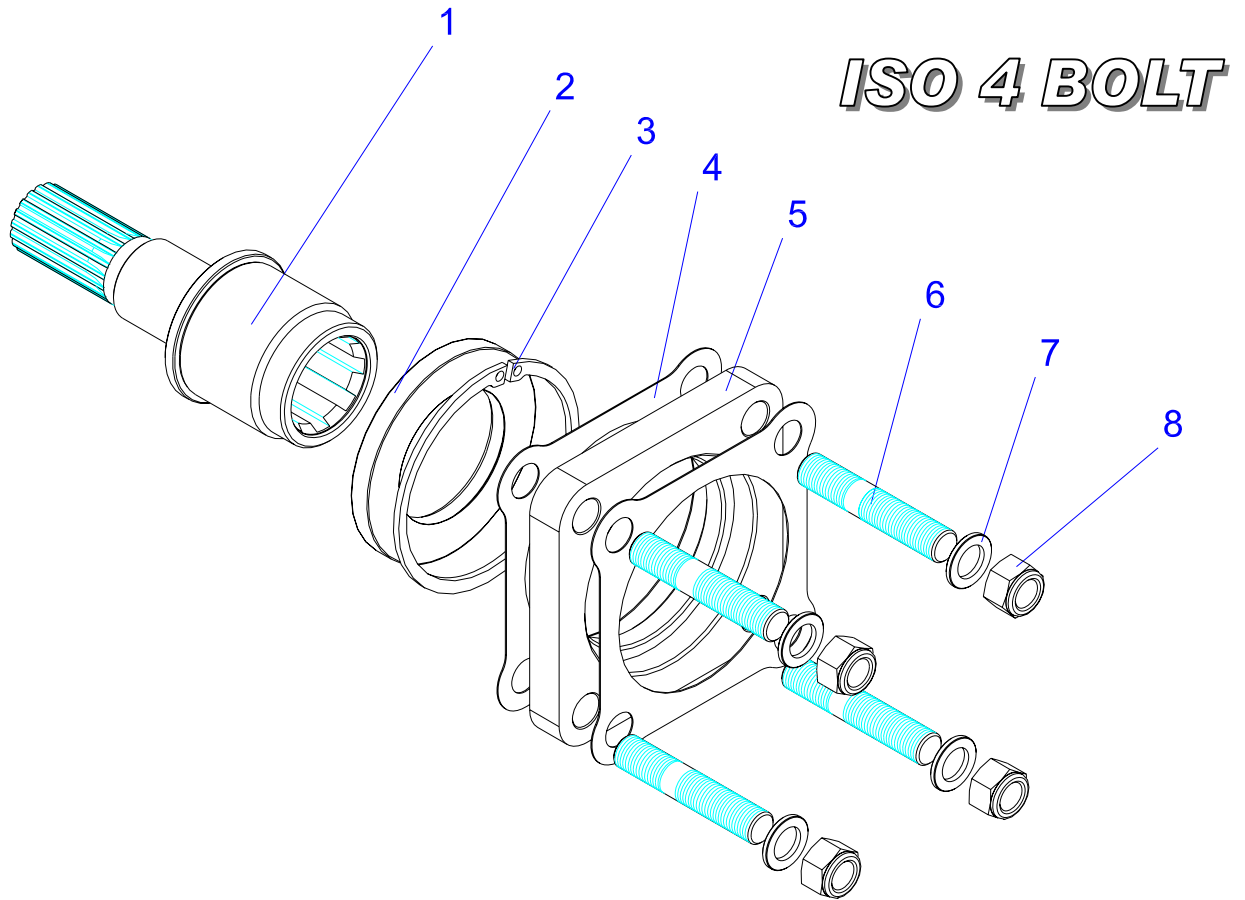
**FULLER SERIES #01**

RATIO	CODE	BOTTOM GEAR	UPPER GEAR
RATIO "B": 57%	<i>806934-01</i>	<i>R/783</i>	<i>G/133</i>
RATIO "C": 70%	<i>806034-01</i>	<i>R/785</i>	<i>G/047</i>
RATIO "E": 86%	<i>804934-01</i>	<i>R/578</i>	<i>R/985</i>
RATIO "J": 105%	<i>805034-01</i>	<i>R/787</i>	<i>R/984</i>
RATIO "O": 127%	<i>807034-01</i>	<i>R/792</i>	<i>G/137</i>

**MACK #24**

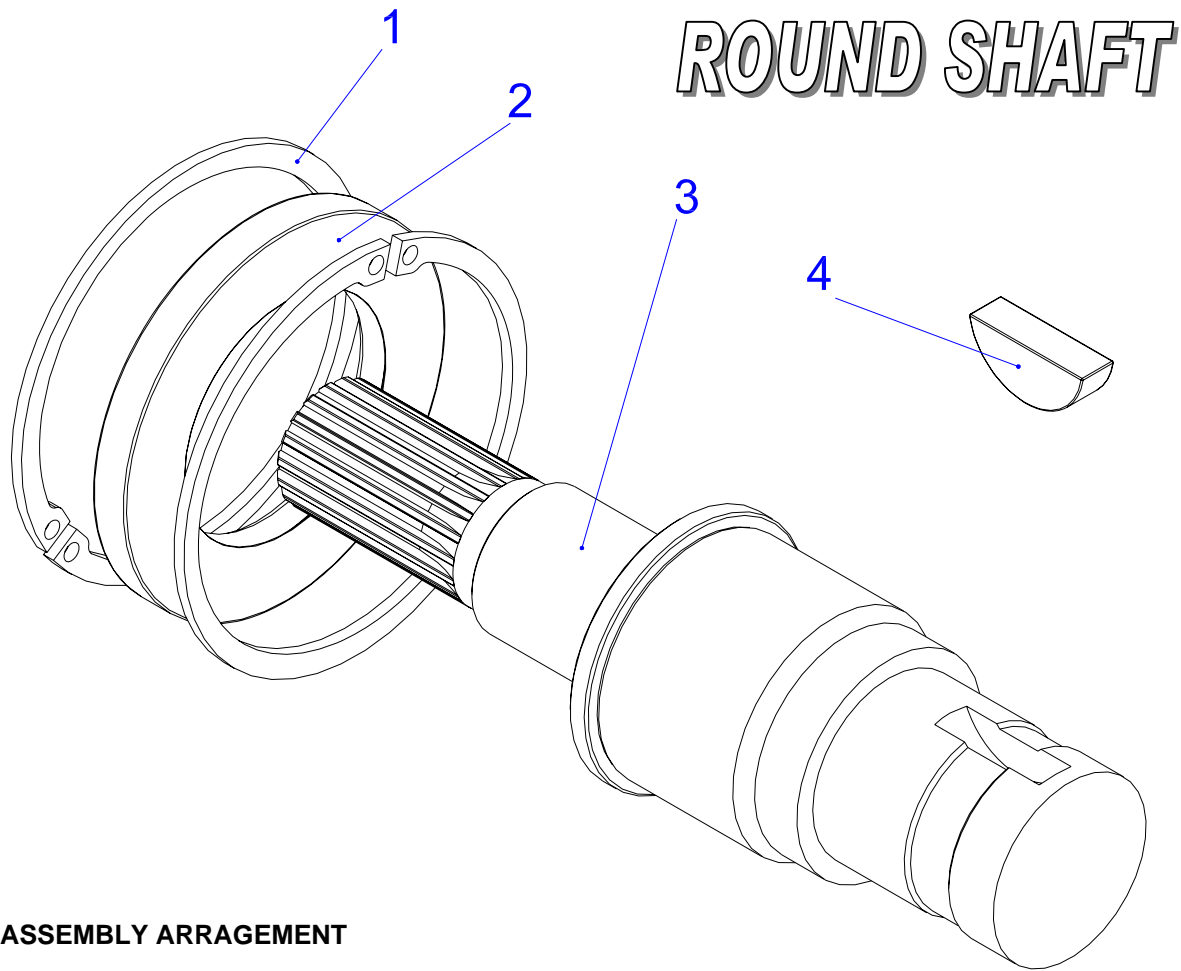
RATIO	CODE	BOTTOM GEAR	UPPER GEAR
RATIO "B": 57%	<i>806934-24</i>	<i>R/783</i>	<i>G/134</i>
RATIO "C": 70%	<i>806034-24</i>	<i>R/785</i>	<i>G/136</i>
RATIO "E": 86%	<i>804934-24</i>	<i>R/578</i>	<i>G/135</i>
RATIO "J": 105%	<i>805034-24</i>	<i>R/787</i>	<i>R/970</i>
RATIO "O": 127%	<i>807034-24</i>	<i>R/792</i>	<i>G/138</i>





**PTO 4000/4100 SERIES**

ITEM	QT.	DESCRIPTION	DIMENS.	CODE	BZ USA CODE
1	1	Output shaft		203024541	OS541
2	1	BABS seal (VITON)	50x80x8	112110007	SE011
3	1	SEEGER ring DIN 472	Ø80	101020015	SR015
4	2	Gasket		108010038	GA4015EC
5	1	Spacer cover		202026542	SP542
6	4	Stud	M12 (17/25)C	117020049	ST049
7	4	Washer DIN 125	12.5x20x2	102090009	WA009
8	4	Self-locking nut DIN 985	M12	119020003	NU003

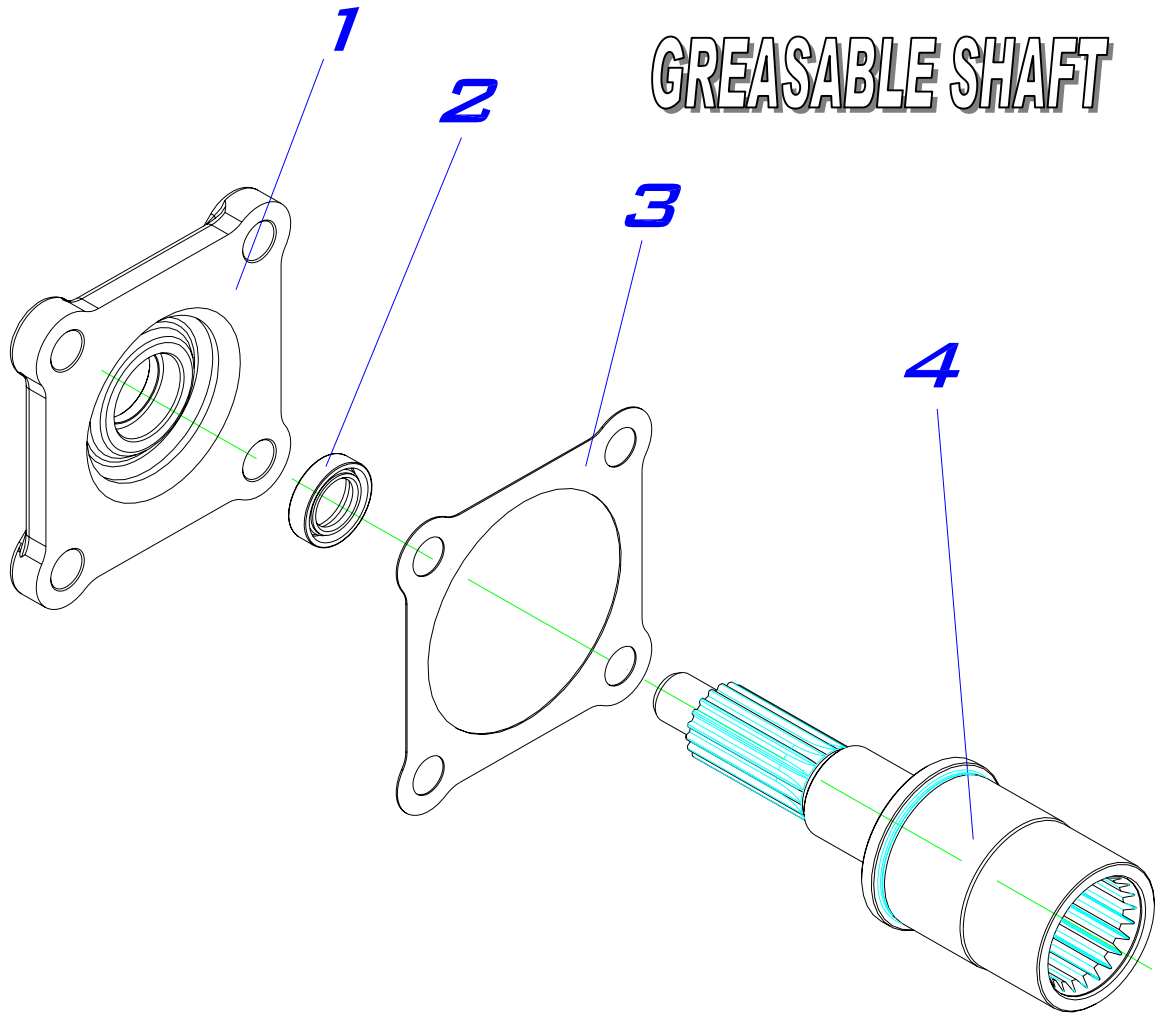


**ASSEMBLY ARRANGEMENT**

ITEM	QT.	DESCRIPTION	DIMENS.	CODE	BZ USA CODE
1	2	SEEGER ring DIN 472	Ø80	101020015	SR015
2	1	BABSL seal (VITON)	50x80x8	112110007	SE011
3	1	Output shaft, round shaft mount		Table 2	TABLE 2
4	1	Key woodruff	1 1/8" x 5/15"	106040002	WK002

**TABLE 2 SHAFT TYPE**

SHAFT TYPE	CODE	SHAFT ITEM 1	KEY ITEM 2	PTO 4000/4100 SERIES
SHAFT Ø1 1/4" RND 5/16" KEY	-----	E/456	1 1/8" x 5/16"	
SHAFT Ø1 1/2" RND 5/16" KEY	-----	E/453	1 1/8" x 5/16"	

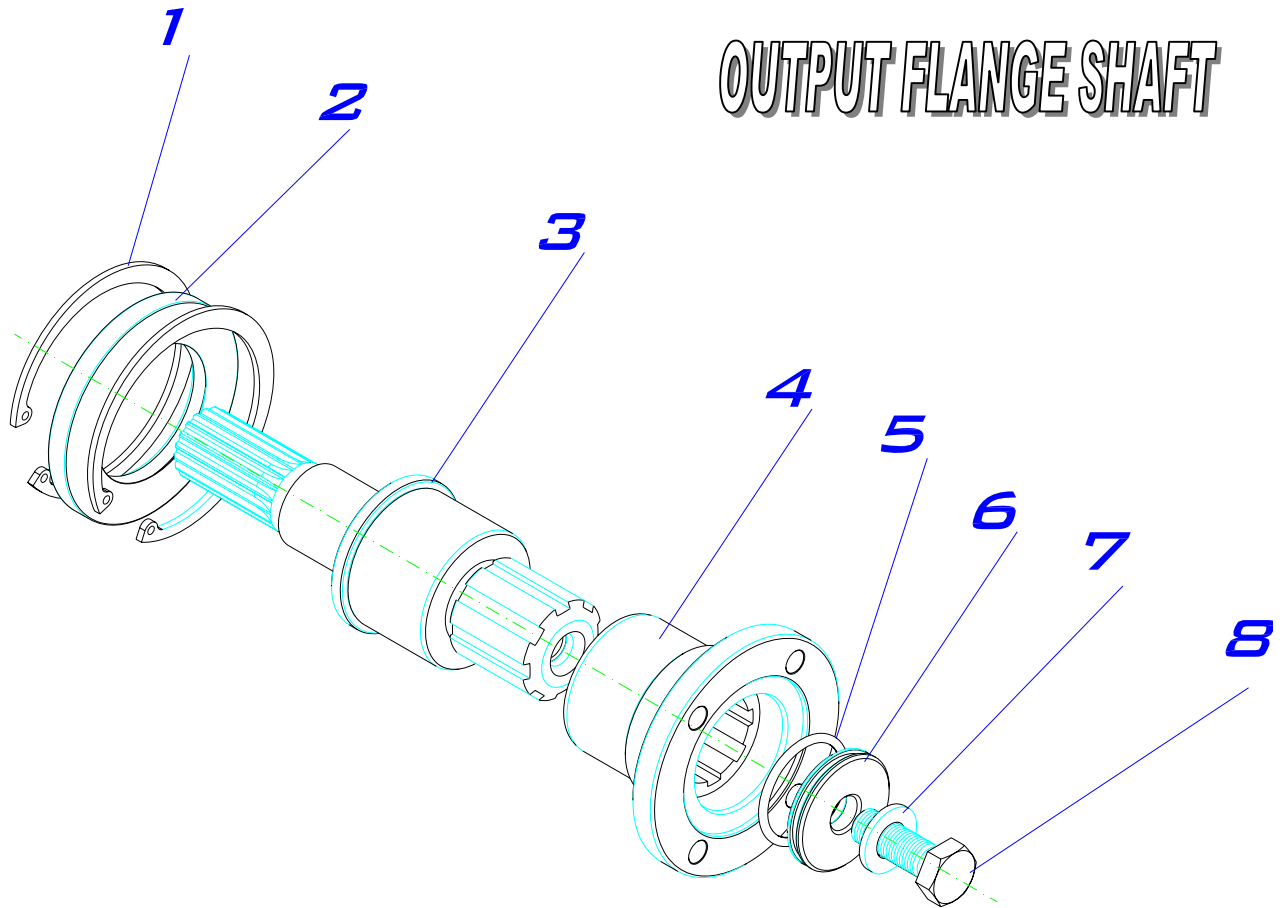


**PTO 4000/4100 SERIES**

ITEM	QT.	DESCRIPTION	DIMENS.	CODE	BZ USA CODE
1	1	Cover, closed end		208012231	EC231
2	1	Oil seal BAF UD1 S2DRW	16 x 28 x 7	112090004	SE004
3	1	Gasket		108010038	GA4015EC
4	1	Output shaft, greasable		TABLE 3.	TABLE 3

**TABLE 3. GREASABLE SHAFT.**

SHAFT TYPE.	SHAFT CODE.	SHAFT. ITEM 4	KIT GREASABLE SHAFT
DIN SHAFT 8 TEETH.	203025221	E/522	<b>801635</b>
SHAFT SAE "C" 14 TEETH	203025231	E/523	<b>801735</b>
SHAFT SAE "C" 23 TEETH	203024731	E/473	<b>801835</b>



**ASSEMBLY ARRAGEMENT**

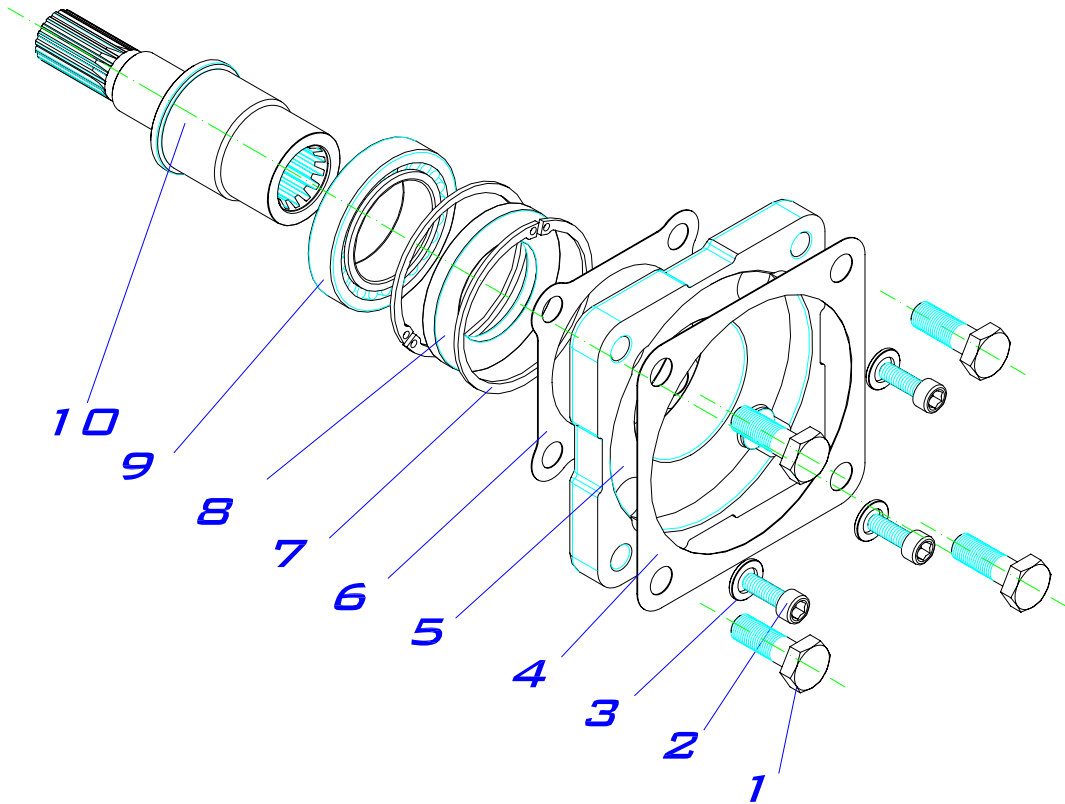
**PTO 4000/4100 SERIES**

ITEM	QT.	DESCRIPTION	DIMENS.	CODE	BZ USA CODE
1	2	SEEGER ring DIN 472	Ø80	101020015	SR015
2	1	BABSL seal (VITON)	50x80x8	112110007	SE011
3	1	Output shaft		203015101	OS510
4	1	Transmision flange		TABLE 4.	TABLE 4
5	1	O-ring	34.2x3	107010010	OR010
6	1	Flange anchorage washer		211021301	WA301
7	1	Washer Din 125	12.5x20x2	102090009	WA009
8	1	Screw Din 933 8.8	M12x35	116030038	CS038

**TABLE 4. KIT OUTPUT FLANGE SHAFT.**

FLANGE TYPE.	FLANGE CODE.	FLANGE . ITEM 4	KIT OUTPUT FLANGE SHAFT.
SAE 1100	206012281	A/228	<b>801335</b>
SAE 1300	206012931	A/293	<b>801435</b>
SAE 1400	206011271	A/127	<b>801535</b>

# SAE C 4 BOLT



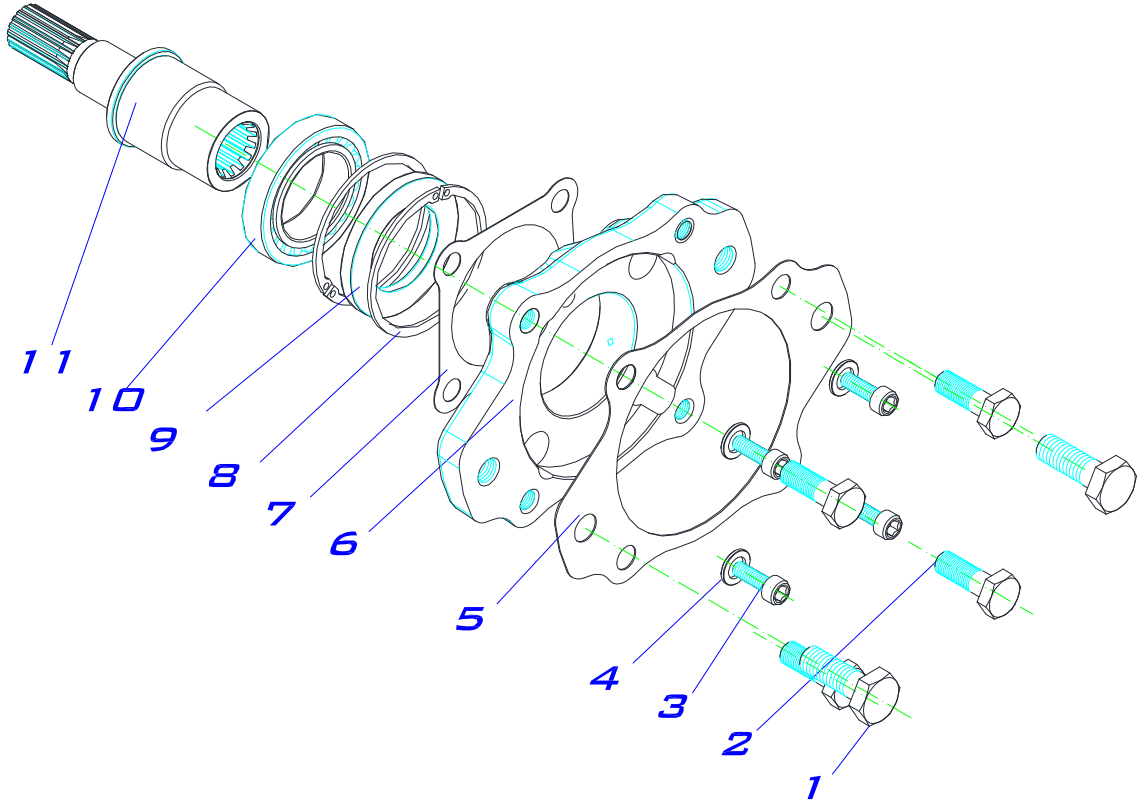
## ASSEMBLY ARRAGEMENT

### PTO 4000/4100 SERIES

DESCRIPTION	CODE	PTO 4000 & 4100 SERIES
OUTPUT KIT SAE C 4 BOLT	802235	<b>SAEC 4 BOLT</b>

ITEM	QT.	DESCRIPTION	DIMENS.	CODE	BZ USA CODE
1	4	Screw DIN 931 , hex head.	1/2" 13 UNCx32	116010061	116020025
2	4	Screw DIN 912 8.8	M12x25	116010061	AS061
3	4	Washer DIN 125	Ø12.5x20x2	102090009	WA009
4	1	Gasket		108010129	GA129
5	1	Adapter flange		202121191	FL191
6	1	Gasket		108010038	GA4015EC
7	2	Seeger ring DIN 472	Ø80	101020015	SR015
8	1	BABSL seal (VITON).	50X80X8	112110007	SE011
9	1	Taper roller bearing 32010X	50x80x20	113300021	RB021
10	1	Shaft		203024521	OS521

# SAE C 2/4 BOLT



## ASSEMBLY ARRAGEMENT

### PTO 4000/4100 SERIES

DESCRIPTION	CODE	PTO 4000 & 4100 SERIES
OUTPUT KIT SAE C 2/4 BOLT	804935	SAEC 2/4 BOLT

ITEM	QT.	DESCRIPTION	DIMENS.	CODE	BZ USA CODE
1	2	Screw DIN 931, hex head.	5/8" 11 UNCx38	116020059	
2	4	Screw DIN 931, hex head.	1/2" 13 UNCx32	116010061	116020025
3	4	Screw DIN 912 8.8	M12x25	116010061	AS061
4	4	Washer DIN 125	Ø12.5x20x2	102090009	WA009
5	1	Gasket		108010188	
6	1	Adapter flange SAE C 2/4 bolt		202124703	
7	1	Gasket		108010038	GA4015EC
8	2	Seeger ring DIN 472	Ø80	101020015	SR015
9	1	BABSL seal (VITON).	50X80X8	112110007	SE011
10	1	Taper roller bearing 32010X	50x80x20	113300021	RB021
11	1	Shaft		203024521	OS521

# PTO 4000 USA CODING

**4000** **X** **B** **N** **01** **3** **IA**

**SERIES:**  
**4000.**- Standard mounting.  
**4100.**- Heavy Duty mounting

**VERSIONS:**  
**X.**- STANDARD.  
**G.**- GREASEABLE OUTPUT SHAFT.

**RATIOS:**  
 57% (B) => **802334**  
 70% (C) => **802434**  
 86% (E) => **802534**  
 105% (J) => **802634**  
 127% (O) => **802734**

**SHIFTER TYPE:**  
**N** = AIR WITHOUT 101 AIR KIT  
**S** = AIR WITH 126 AIR KIT  
**T** = AIR WITH 127 AIR KIT  
**U** = AIR KIT WITH 128 AIR KIT  
**A** = AIR WITH 101 AIR KIT

**INPUT GEAR:**  
**01** = FULLER SERIES  
**24** = MACK (R/614)

**OUTPUT TYPE:**  
**IA** = ISO 4 BOLT  
**IC** = FLANGE SAE 1400  
**RJ** = SAE C. 4 BOLT (14 Teeth)  
**SE** = SAE TYPE 1 1/4" ROUND SHAFT.  
**SG** = SAE TYPE 1 1/2" ROUND SHAFT.  
**RB** = SAE B, 2/4 BOLT, 15T. ROTATABLE

**ASSEMBLY ARRANGEMENTS:**  
 1.- RIGHT, FORWARD  
 3.- LEFT, FORWARD

