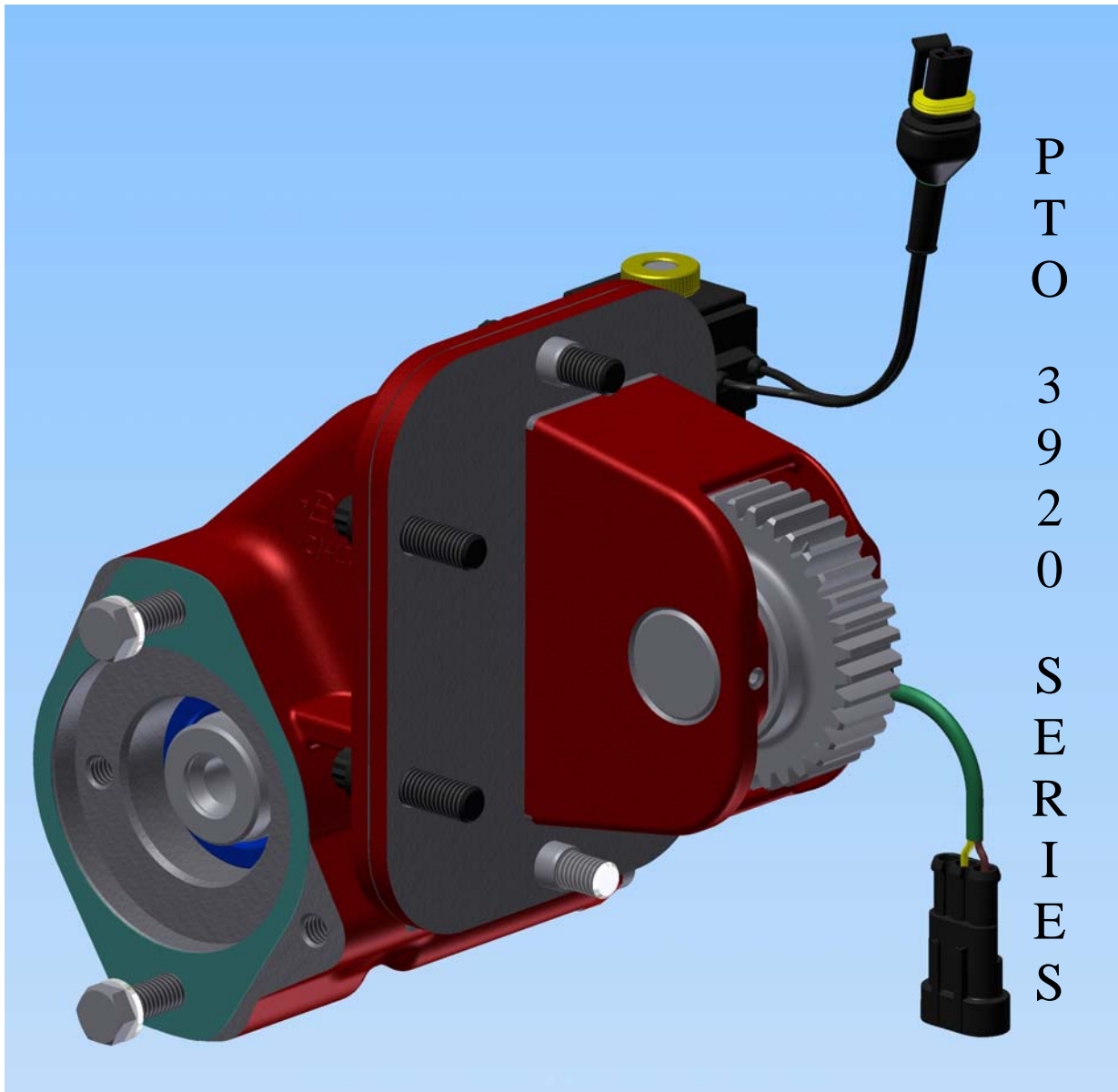


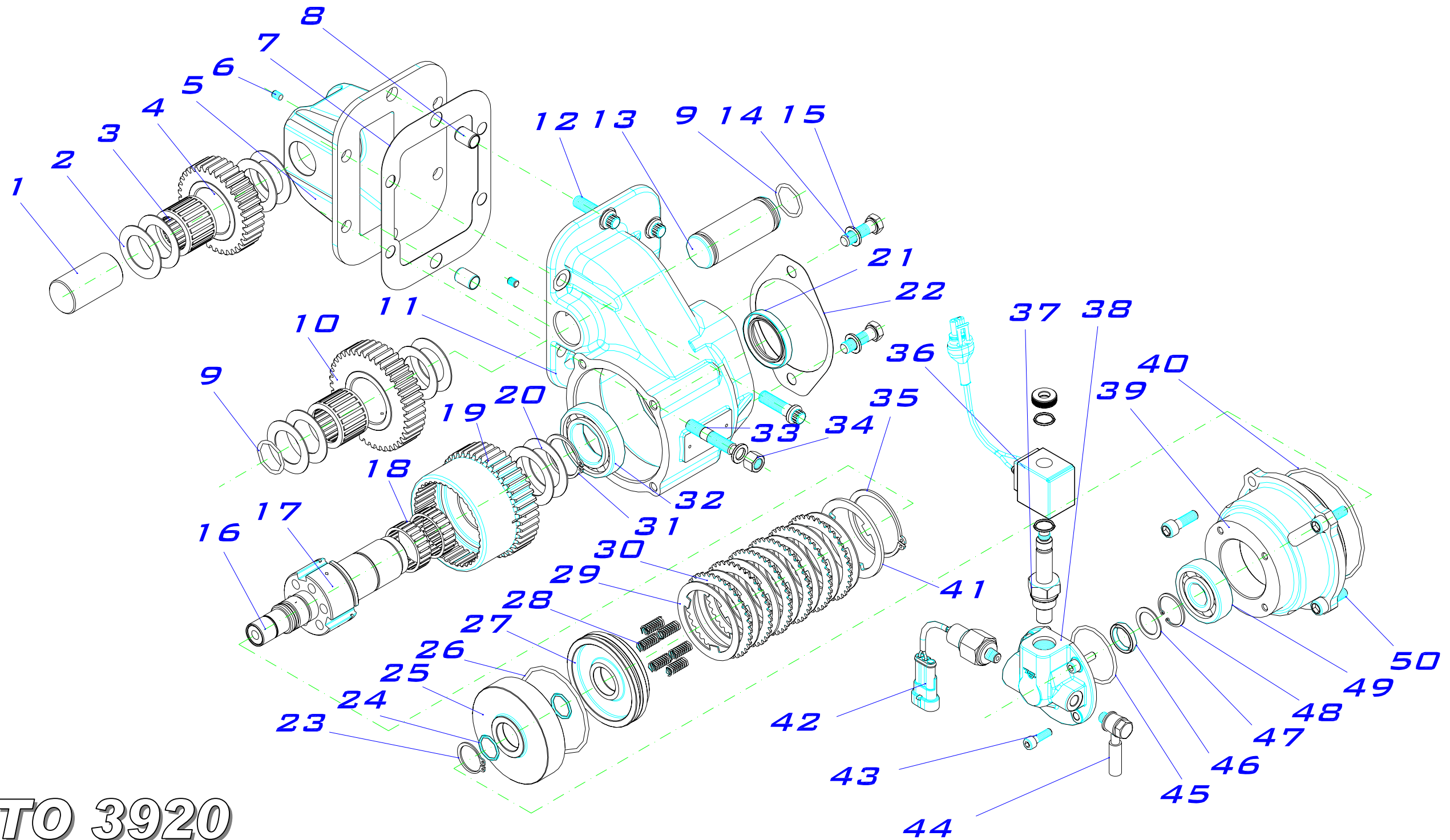


# PTO 3920 SERIES

PART LIST



P  
T  
O  
  
3  
9  
2  
0  
  
S  
E  
R  
I  
E  
S



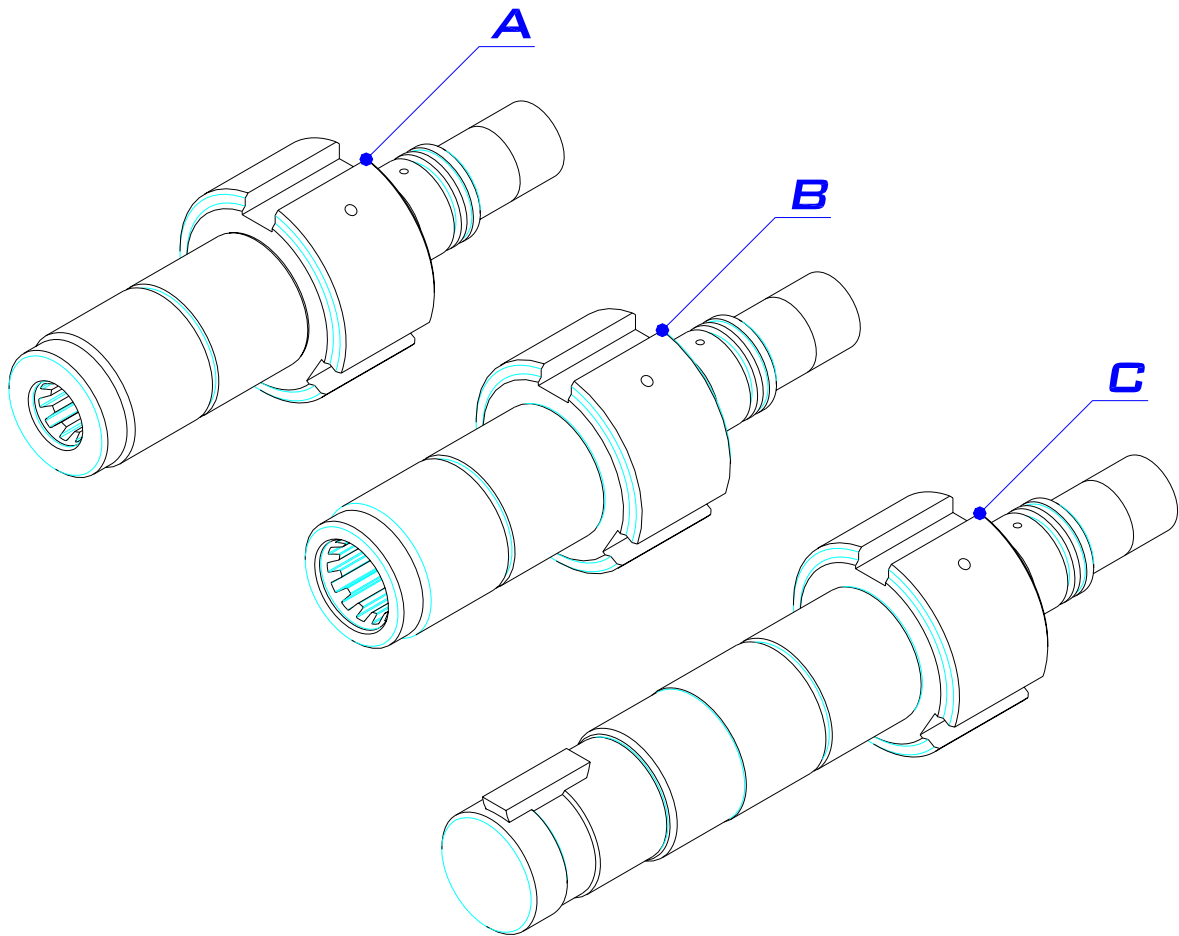
# PTO 3920 SERIES

**PTO 3920 SERIES**

ITEM	QT.	DESCRIPTION	DIMENS.	CODE	BZ USA CODE
1	1	Upper idler pin shaft		203046801	IP801
2	8	Friction washer AS 3047	30x47x1	114010001	FW001
3	2	Needle bearing K3040	30x40x30	113010047	RB047
4	1	Upper gear		201110231	G/023
5	1	Flange		209101981	FL981
6	2	DIN stud 913	M6x8	117010010	SS010
7	1	Gasket		108010182	GA182
8	2	Guide pin		200114851	GU851
9	2	O-ring (viton)	25x2,4	107100051	
10	1	Middle gear		201110241	G/024
11	1	Housing		202114171	HS3920
12	4	Torx Screw	M10x1.5	116080015	CS015
13	1	Middle idler pin shaft		203046811	IP811
14	2	Hexagonal Screw DIN 931	3/8" UNC	116020035	CS035
15	4	Washer	10.5x16.8x2	102090010	WA010F
16	1	Friction Bushing	17x20x16.5	115020016	FB016
17	1	Shaft SAE A 5/8" 9 tooth		203024742	OS742
18	2	Needle bearing	35x40x13	113010043	NB043
19	1	Output gear		201110251	G/025
20	2	Friction washer AS 3552	35x52x1	114010002	FW002
21	1	Seal BAF	35x50x7	112010020	SE020
22	1	Gasket		108010113	GA113
23	1	Snap ring DIN 471	Ø25	101010002	SR002
24	2	O-ring (viton)	Ø19x2	107100020	OR020
25	1	Clutch back-up cylinder		200131931	BS931
26	1	O-ring (viton)	Ø70x3	107100021	OR021
27	1	Piston		204010651	PI651
28	6	Spring		109010102	SPR102
29	7	Friction disc	Ø70	100110006	FD006
30	6	Clutch plate	Ø75.8	100110005	CP005
31	1	Snap ring	Ø35	101010005	SR005
32	1	Ball Bearing	35x62x14	113040031	BB031
33	2	Stud (1,5-17/1-25)	M10x50	117020055	ST055
34	2	Special nut	M10 x1	119010001	NU001
35	1	Snap ring DIN 471	Ø55	101010017	SR017
36	1	12V Coil with Packard Connector		9053590/1	
37	1	Cartridge 40 L N/C		9049490	CO490
38	1	End Cover for Hydraulic Shifting		208012081	HA081
39	1	Adapter Housing		202121591	AH591
40	1	O-ring NBR70	94x2.5	107010126	OR026
41	1	Splined washer		209111161	WA161
42	1	Hydraulic pressure switch	1/8" BSP	9059999.1	
43	4	Allen Screw DIN 912 8.8	M6x20	116010122	AS122
44	1	Shifting hose Ford MY2011		9056499	PLH499F
45	1	O-ring (viton)	44x2.62	107100061	OR061
46	1	Pneumatic collar	20x26x4.8	105090001	BU001
47	1	Friction washer	20x28x1	103010021	WA021

## PTO 3920 SERIES

<b>ITEM</b>	<b>QT.</b>	<b>DESCRIPTION</b>	<b>DIMENS.</b>	<b>CODE</b>	<b>BZ USA CODE</b>
48	1	Snap ring DIN 472	Ø28	101020028	SR028
49	1	Ball Bearing	20x52x15	113040015	BB015
50	4	Allen screw Din 912 8.8	M8x25	116010009	AS009



**TABLE 1. SHAFT TYPE.**

	<b>SHAFT TYPE</b>	<b>CODE</b>	<b>PTO 3900 PTO 3920 SERIES</b>
<b>A</b>	Shaft SAE "A" 9 teeth	203024742	
<b>B</b>	Shaft SAE "B" 13 teeth	203025131	
<b>C</b>	Shaft Ø 1 1/4 " RND 5/16" key	801935	