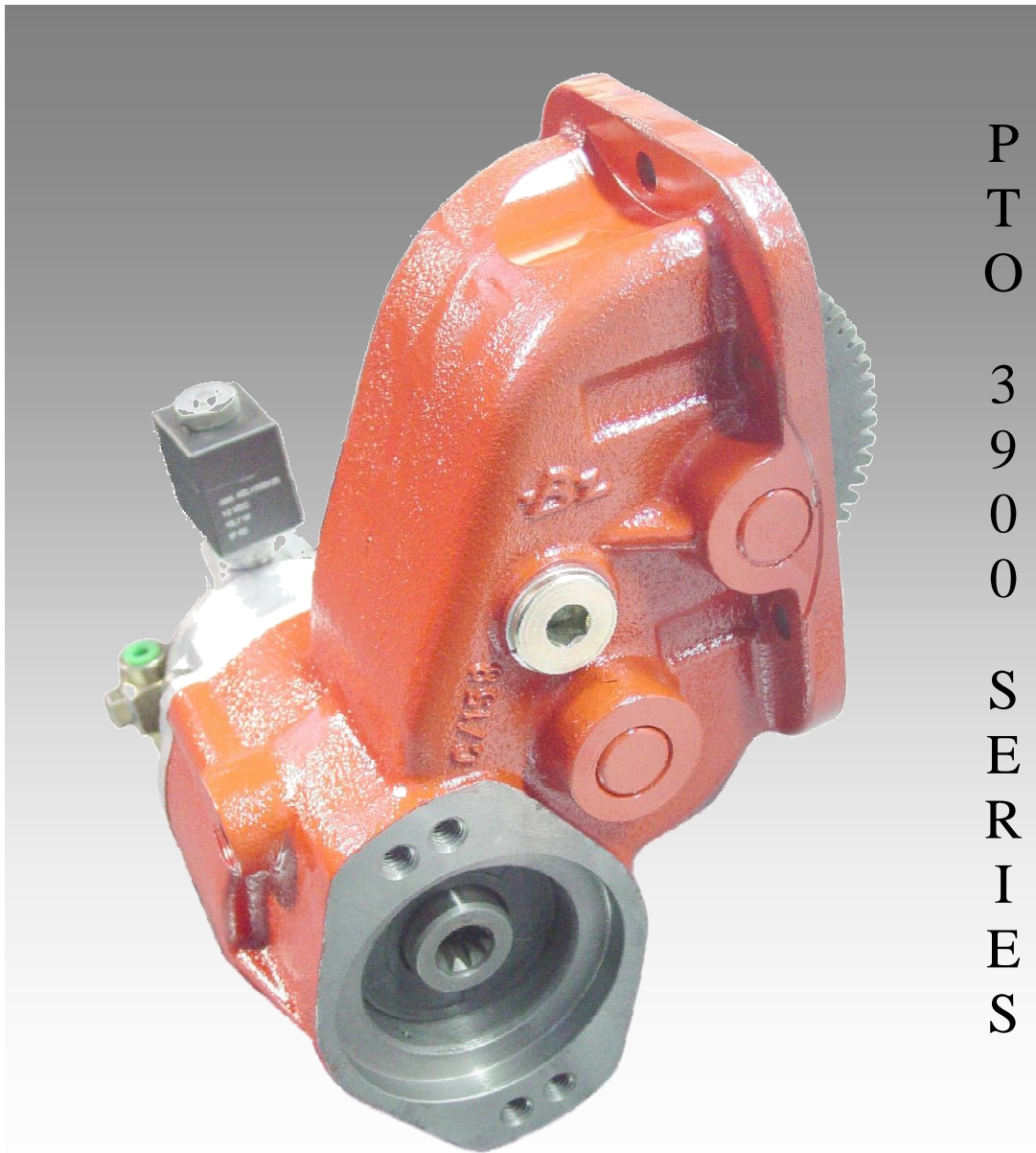


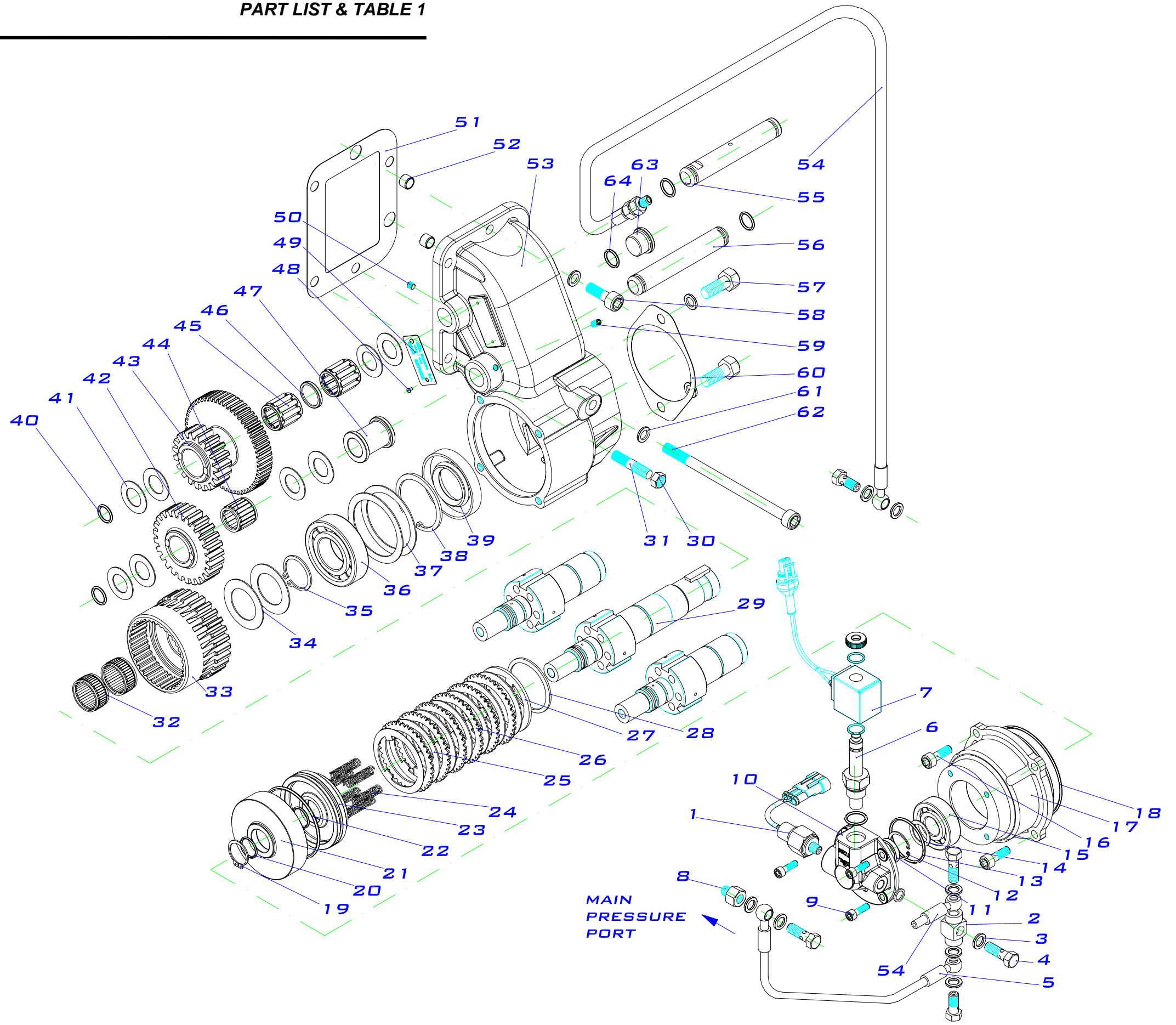


# PTO 3900 SERIES

PART LIST



P  
T  
O  
  
3  
9  
0  
0  
  
S  
E  
R  
I  
E  
S



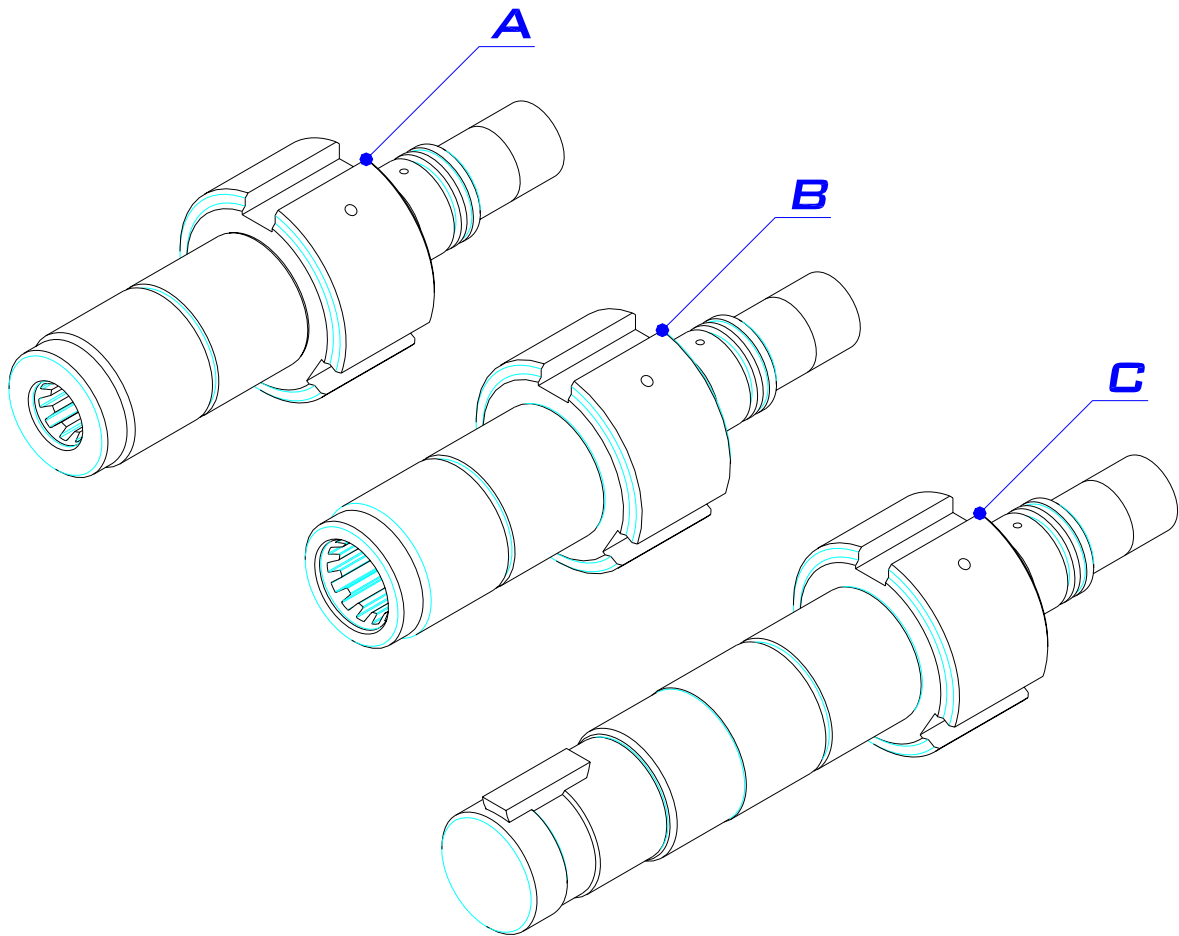
# PTO 3900 SERIES

**PTO 3900 SERIES**

ITEM	QT.	DESCRIPTION	DIMENS.	CODE	BZ USA CODE
1	1	Hydraulic pressure switch on	1/8" BSP	9059999.1	
2	1	"T" connector body	1/8" BSP	200101561	FI561
3	2	Aluminium washer	Ø10x14	102050007	WA011
4	1	Screw for "T" connector body	M10x1	200101571	FI571
5	1	Pressure lube hose		9022099	PLH099
6	1	Electromagnet cartridge		9049490	CO490
7	1	Coil 12 V. for electromagnet		9053590/1	
8	1	Adapter fitting	1/8" NPT	208023321	
9	4	Screw DIN 912 8.8, allen head	M6x20	116010003	AS003
10	1	Cover hydraulic		208012081	HA081
11	1	Collar (viton)	20x26x4.8	105090001	BU001
12	1	Snap ring DIN 472	Ø28	101020028	SR028
13	1	O-ring	Ø44x2.62	107100061	OR070
14	1	Fitting washer DIN 988 (As adjusting)	20x28x1	103010021	WA021
15	1	Ball bearing 6304	20x52x15	113040015	RB014
16	4	Screw DIN 912 8.8	M8x25	116010009	AS009
17	1	Housing flange		202121591	FL591
18	1	O-ring	Ø94x2.5	107010126	OR126
19	1	Snap ring DIN 471	Ø25	101010002	SR002
20	2	O-ring (viton)	Ø19x2	107100020	OR020
21	1	Clutch back-up cylinder		200131931	CI931
22	1	O-ring (viton)	Ø70x3	107100021	OR021
23	1	Piston		204010651	PI651
24	6	Spring		109010019	SP019
25	7	Friction disc	Ø70	100110006	FD006
26	6	Clutch plate	Ø75.8	100110005	CP005
27	1	Toothed washer		209111161	WA161
28	1	Snap ring DIN 471	Ø55	101010017	SR017
29	1	Shaft		Table.1	TABLE 1
30	2	Special nut	M10 x1	119010001	NU001
31	2	Stud L=45mm	M10(16x1.5/20x1	117020001	ST001
32	2	Needle bearing	35x40x13	113010043	RB043
33	1	Output gear		201018321	R/321
34	2	Friction washer	35x52x1	114010002	WA002
35	1	Snap ring DIN 471	Ø35	101010005	SR005
36	1	Ball bearing 6007	35x62x14	113040031	RB008
37	2	Washer PS	50x62x1	103010045	WA045
38	1	Snap ring DIN 472	Ø62	101020010	SR010
39	1	Seal babsl (viton).	35x62x7	112090024	SE024
40	4	O-ring	15x2.5	107010022	OR022
41	8	Friction washer	20x35x1	114010008	WA008
42	1	Middle gear		201018311	R/311
43	1	Double upper gear		201018301	R/301
44	1	Needle bearing	20x28x25	113010020	RB020
45	2	Needle bearing	20x30x30	113010003	RB005
46	1	Needle bearing spacer		209013491	SP491
47	1	Spacer bush		209111171	SB171

## PTO 3900 SERIES

ITEM	QT.	DESCRIPTION	DIMENS.	CODE	BZ USA CODE
48	2	Rivet	2.4x4	100050003	RI003
49	1	Identification plate		126020001	PL001
50	1	Set screw	M6x8	117010010	SS010
51	2	Gasket		108010135	GA135
52	2	Guide		200112261	GD261
53	1	Housing		202111581	HS3900
54	1	Pressure lube hose		9018699	PLH699
55	1	Upper shaft pin		203044001	IP001
56	1	Middle shaft pin		203041181	IP181
57	2	Screw	3/8"UNCx32	116020035	CS035
58	3	Screw Allen DIN 912 8.8	M10x30	116010175	AS117
59	1	Set screw	M6x10	117010006	SS006
60	1	Gasket		108010113	GA113
61	8	Washer	10.5x16.8x2	102090010	WA010
62	1	Screw Allen DIN 912 8.8	M10x180	116010106	AS106
63	1	Backlash Check Plug	M22X1.5	118020008	AP008
64	1	Washer	22X28X1.5	102050003	WA003



**TABLE 1. SHAFT TYPE.**

	<b>SHAFT TYPE</b>	<b>CODE</b>	<b>PTO 3900 PTO 3920 SERIES</b>
<b>A</b>	Shaft SAE "A" 9 teeth	203024742	
<b>B</b>	Shaft SAE "B" 13 teeth	203025131	
<b>C</b>	Shaft Ø 1 1/4 " RND 5/16" key	801935	