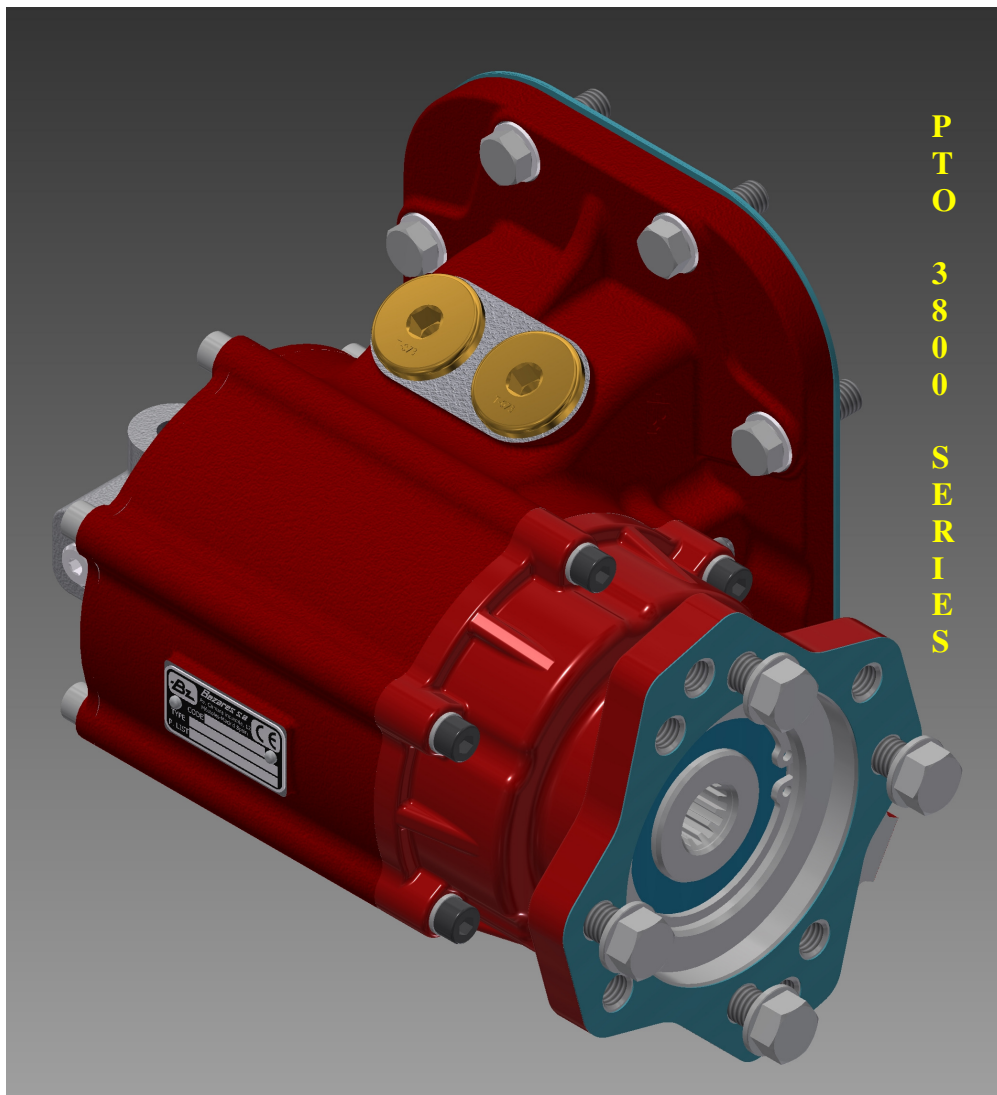




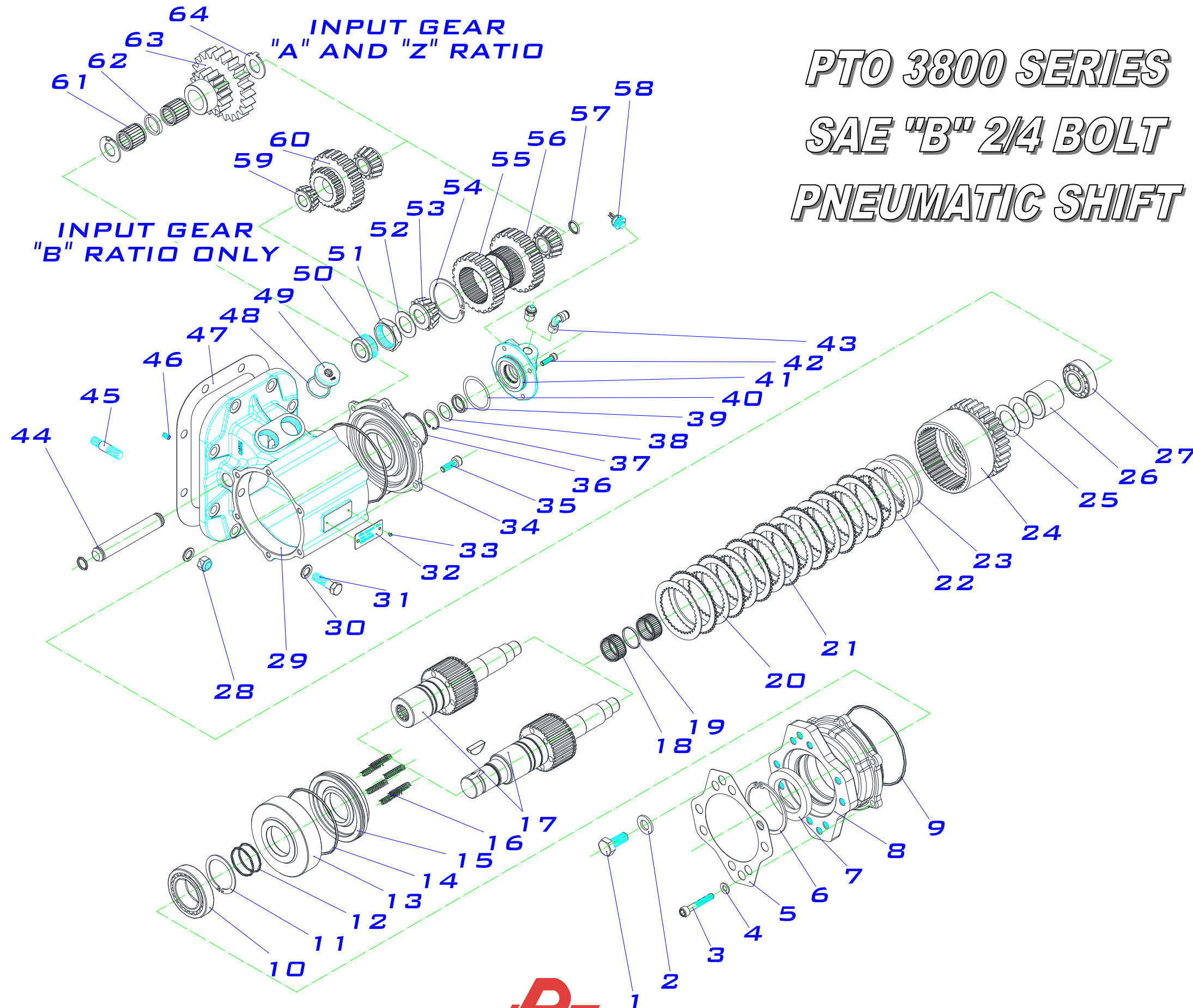
# PTO 3800 SERIES

## PART LIST



P  
T  
O  
  
3  
8  
0  
0  
  
S  
E  
R  
I  
E  
S

**PTO 3800 SERIES**  
**SAE "B" 2/4 BOLT**  
**PNEUMATIC SHIFT**



**PTO 3800 series SAE "B" 2/4 BOLT PNEUMATIC SHIFT**

ITEM	QT.	DESCRIPTION	DIMENS.	CODE	BZ USA CODE
1	4	Screw DIN 931, hex head	½" 13 UNC x 32	116020025	CS025
2	4	Washer DIN 125	Ø13	102010002	WA002
3	6	Screw DIN 912 8.8	M8x40	116010011	CS011
4	6	Washer DIN 125	Ø8	102010001	WA001
5	1	Gasket		108010091	GA091
6	1	Snap Ring DIN 472	Ø75	101020014	SR014
7	1	Seal BAF SL (VITON)	45x75x10	112090033	
8	1	Adapter flange		202121441	FL441
9	2	O-ring	115 x 3	107010100	OR100
10	1	Conical bearing 32.009	45X75X20	113300025	RB025
11	1	Snap ring DIN 471	Ø45	101010007	SR007
12	2	O-ring (VITON)	Ø40x2	107100031	OR016
13	1	Piston liner		200131801	PL801
14	1	O-ring (VITON)	Ø94.5x3	107100017	OR017
15	1	Piston		204010631	PI631
16	6	Spring		109010102	SPR102
17	1	Shaft		Table 4	TABLE 4
18	2	Needle bearing	30X35X17	113010011	RB011
19	1	Spacer bush	30x32x2.5	209015561	SB561
20	9	Friction disc	Ø89	100110003	FD003
21	8	Clutch plate	Ø94	100110004	CP004
22	1	Toothed washer		209110961	WA961
23	1	Snap ring DIN 471	Ø70	101010038	SR038
24	1	Output gear		Table 2 & 3	TABLE 2 & 3
25	2	Friction washer	30 x 47 x 1	114010001	WA001
26	1	Spacer bush	30x42x37	209111031	SB031
27	1	Conical bearing 32205	25x52x19.25	113300022	RB022
28	2	Nut	M12	119020003	NU003
29	1	Housing 8 hole, PTO 3800 series		202115351	HS3800
	1	Housing 8 hole, PTO 3810 series		202115352	HS3810
30	8	Washer	Ø12.5x20x2	102090009	WA009
31	8	Screw DIN 931 12.9	7/16"x35	116020020	CS20
32	1	Identification plate		126020002	
33	2	Rivet	2.4x4	100050003	RI003
34	1	Bearing carrier cover		208012151	EC151
35	6	Screw DIN 912 8.8	M8x25	116010009	AS009
36	1	O-ring	44x2.62	107010070	OR070
37	1	Snap ring DIN 472	Ø28	101020028	SR028
38	1	Fitting washer DIN 988	20x28x1	103010021	WA021
39	1	Collar (VITON)	20x26x4.8	105090001	BU001
40	*	Fitting washer DIN 988 (As adjusting)	42 x 52 x 0.1	103010027	WA027
41	1	Collar carrier cover		208012261	CC261
42	4	Screw DIN 912 allen 8.8	M6x20	116010003	AS003
43	1	Straight connector	¼ BSP	9028116	FI216-S
		Elbow connector	¼ BSP	9028216	FI216-E
44	1	Pin shaft		203042531	IP531
44A	1	Pin shaft only to ratio A and Z		203041181	IP118
45	2	Stud L=48 Sealed	M12-7/16"	117020132	
46	1	Set screw	M6x12	117010009	AS008
47	1	Gasket	0.3	108010099	GA8010
	1	Gasket	0.5	108010003	GA8020
	1	Gasket	0.8	108010100	GA8032



**PTO 3800 series SAE “B” 2/4 BOLT PNEUMATIC SHIFT**

48	2	Copper washer	30x37	102060010	WA010
49	2	Plug	M30x1.5	208020731	PL731
50	1	Adjusting bush		200115621	
51	1	Adjusting nut		214115631	
52	1	Axial disc AS 2035	20x35x1	114010008	WA008
53	2	Conical bearing 32304	20x52x22.25	113300023	RB023
54	1	Snap ring WRE	Ø55	101100001	SR001
55	1	Upper gear		Table 2	TABLE 2
56	1	Input gear		Table 1	TABLE 1
57	2	O-ring	Ø15x2.5	107100030	OR022
58	1	Pressure swicht		9015399	SW999A
59	1	Conical bearing 30204	20x47x15.25	113300035	RB035
60	1	Input gear (“B” Ratio only)	Z=35	Table 3	TABLE 3
61	2	Bearing	20x30x30	113010003	RB003
62	1	Spacer		209013491	SP491
63	1	Upper gear (“A” and “Z” Ratios)		Table 3	TABLE 3
64	2	Antifriction washer		211013431	WA431