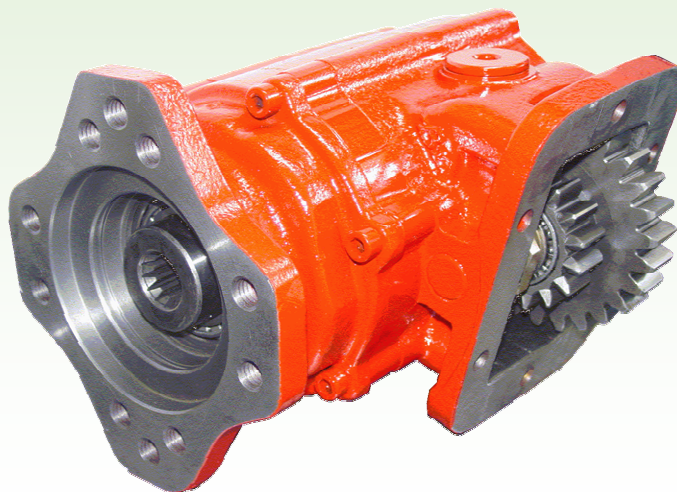




PTO 3300 SERIES

PART LIST

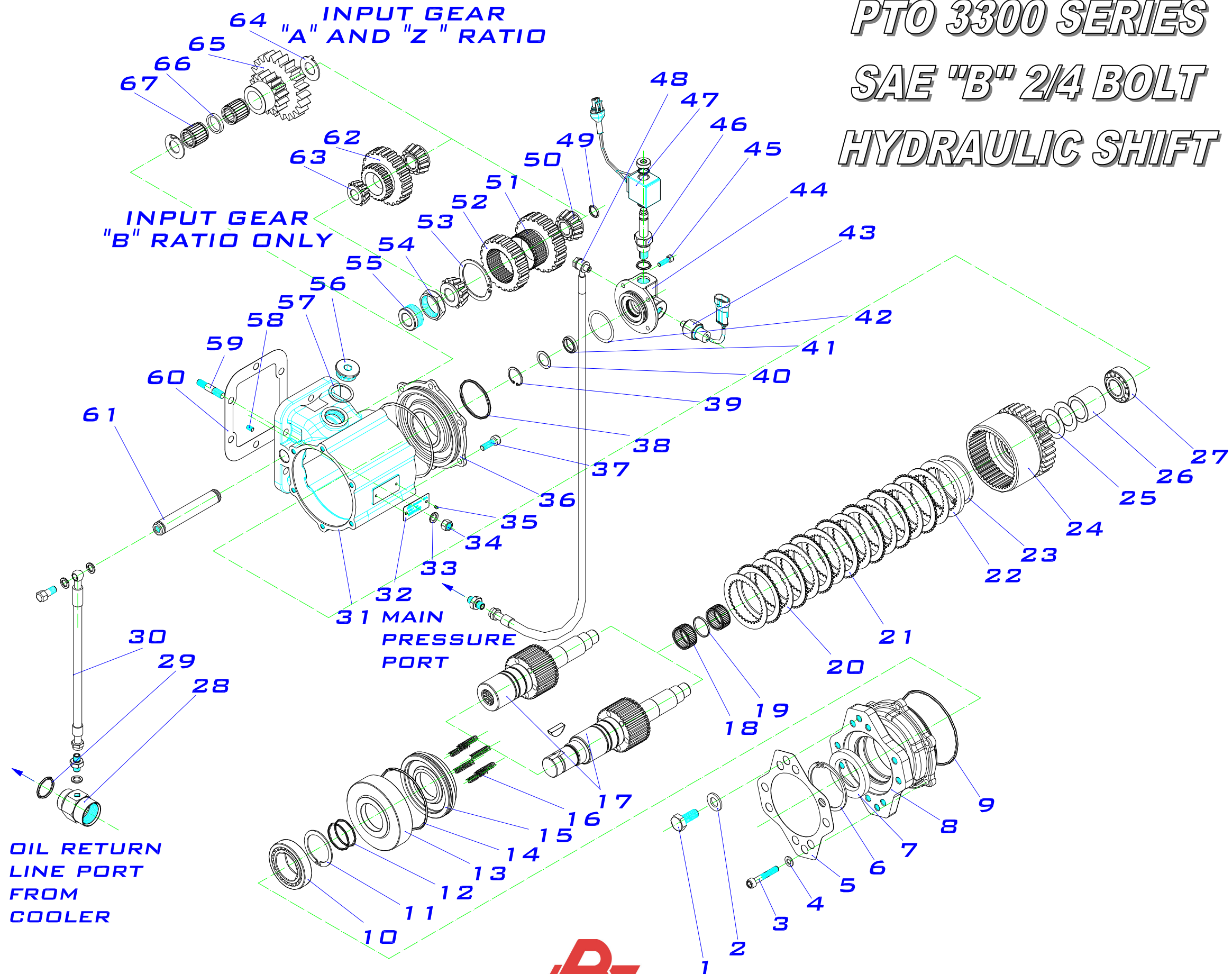


P
T
O

3
3
0
0

S
E
R
I
E
S

PTO 3300 SERIES SAE "B" 2/4 BOLT HYDRAULIC SHIFT

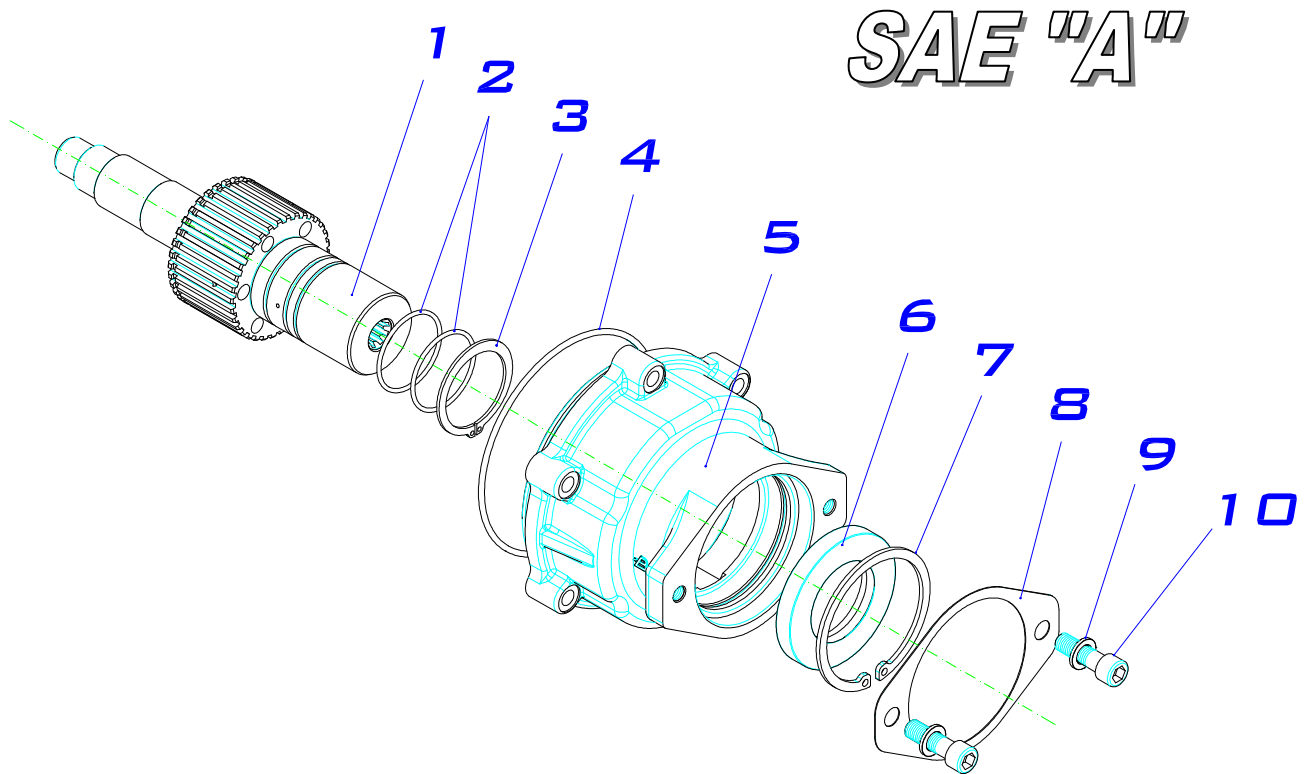


PTO 3300 series SAE "B" 2/4 BOLT HYDRAULIC SHIFT.

ITEM	QT.	DESCRIPTION	DIMENS.	CODE	BZ USA CODE
1	4	Screw DIN 931, hex head	½" 13 UNC x 32	116020025	CS025
2	4	Washer DIN 125 zinc plated	Ø13	102010005	WA025
3	6	Screw DIN 912 8.8	M8x40	116010011	CS011
4	6	Washer DIN 125 zinc plated	Ø8	102010013	WA005
5	1	Gasket		108010091	GA091
6	1	Snap Ring DIN 472	Ø75	101020014	SR014
7	1	Seal BAF SL	45x75x10	112090033	
8	1	Adapter flange		202121441	FL441
9	2	O-ring	118 x 3	107100058	OR058
10	1	Conical bearing 32.009	45X75X20	113300025	RB025
11	1	Snap ring DIN 471	Ø45	101010007	SR007
12	2	O-ring (VITON)	Ø40x2	107100031	OR016
13	1	Piston liner		200131802	PL802
14	1	O-ring (VITON)	Ø94.5x3	107100017	OR017
15	1	Piston		204010631	PI631
16	6	Spring		109010102	SPR102
17	1	Shaft		Table 4	TABLE 4
18	2	Needle bearing	30X35X17	113010011	RB011
19	1	Spacer bush	30x32x2.5	209015561	SB561
20	9	Friction disc	Ø89	100110003	FD003
21	8	Clutch plate	Ø94	100110004	CP004
22	1	Toothed washer		209110961	WA961
23	1	Snap ring DIN 471	Ø70	101010038	SR038
24	1	Output gear		Table 2 & 3	TABLE 2 & 3
25	2	Friction washer	30 x 47 x 1	114010001	WA001
26	1	Spacer bush	30x42x37	209111031	SB031
27	1	Conical bearing 32205	25x52x19.25	113300022	RB022
28	1	"T" fitting for ALLISON series		Table 5	
29	1	O-ring for ALLISON series		Table 5	
30	1	Pressure lube hose, ALLISON series		9019199	PLH199
	1	Pressure lube hose, AISIN series		9041399	PLH399A
31	1	Housing 6 bolt		202111431	HS3200
32	1	Identification plate		126020002	
33	6	Washer	Ø10.5x16.8x2	102090010	WA010
34	6	Special nut	M10x100	119010001	NU001
35	2	Rivet	2.4x4	100050003	RI003
36	1	Bearing carrier cover		208012151	EC151
37	6	Screw DIN 912 8.8	M8x25	116010009	AS009
38	1	O-ring	44 x 2.62	107100061	OR061
39	1	Snap ring DIN 472	Ø 28	101020028	SR028
40	1	Fitting washer DIN 988	20 x 28 x 1	103010021	WA021
41	1	Collar (VITON)	20 x 26 x 4.8	105090001	BU001
42	*	Fitting washer DIN 988 (As adjusting)	42 x 52 x 0.1	103010027	WA027
43	1	Hydraulic pressure switch on	1/8" BSP	9059999	SW999E

PTO 3300 series SAE "B" 2/4 BOLT HYDRAULIC SHIFT

44	1	Cover hydraulic Allison 3100 series		208012084	HA084
45	4	Screw DIN 912 8.8, allen head	M6 x 20	116010122	AS112
46	1	Electromagnet cartridge		9049490	CO490
47	1	Coil 12 V. for electromagnet		9053590/1	CO290HD
	1	Coil 24 V. for electromagnet		9067390	
48	1	Lubrication kit ALLISON series		900899.1	
	1	Lubrication kit AISIN series		9041499	PLH499A
49	2	O-ring	Ø15x2.5	107100030	OR022
50	2	Conical bearing 32304	20x52x22.25	113300023	RB023
51	1	Input gear		Table 1	TABLE 1
52	1	Upper gear		Table 2	TABLE 2
53	1	Snap ring WRE	Ø55	101100001	SR001
54	1	Adjusting nut		214115631	
55	1	Adjusting bush		200115621	
56	1	Plug	M30x1.5	208020731	PL731
57	1	Copper washer	29x3	107100096	OR045
58	1	Set screw	M6x12	117010009	SS009
59a	6	Stud L=50 mm, sealed (Aisin)	M10-1x25/ 3/8"-16Hx17	117020094	ST094
59b	6	Stud L=50 mm, sealed (Allison)	M10-1x25/ 1.5x17	117020055	ST055
60	1	Gasket	0.3	108010102	GA6010
	2	Gasket	0.5	108010004	GA6015
	1	Gasket	1	108010103	GA6032
61	1	Pin		203044001	IP132P
62	1	Input gear ("B" Ratio only)	Z=35	Table 3	TABLE 3
63	1	Conical bearing 30204	20x47x15.25	113300035	RB035
64	2	Antifricition washer		211013431	WA431
65	1	Upper gear ("A" and "Z" Ratios)		Table 3	TABLE 3
66	1	Spacer		209013491	SP491
67	2	Bearing	20x30x30	113010003	RB003



PTO 3300 SERIES

DESCRIPTION	CODE	PTO 3200 SERIES
CONVERSION KIT TO SAE "A"	803235	SAE A

ITEM	QT.	DESCRIPTION	DIMENS.	CODE	BZ USA CODE
1	1	Output shaft SAE 9 teeth		203037701	OS701
2	2	O-ring (VITON)	40x2	107100031	OR016
3	1	Snap ring DIN 472	Ø45	101010007	
4	1	O-ring (VITON)	118x3	107100058	OR058
5	1	Adapter housing		202124951	
6	1	Seal BAFSL (VITON)	45x75x10	112090030	
7	1	Snap ring DIN 472	Ø75	101020014	SR014
8	1	Gasket		108010113	GA113
9	2	Washer DIN 125	10.5x16,8x2	102090010	WA020
10	2	Screw DIN912 12.9 sealed	3/8x30	116010097	CS097

PTO 3300 SERIES

TABLE 1 INPUT GEAR

CODE PTO #	GEAR BOX	INPUT GEAR Z=35
<i>...67...</i>	<i>AISIN</i>	<i>R/870</i>

TABLE 2 PTO RATIO GEAR SET

RATIO	CODE	BOTTOM GEAR	UPPER GEAR Z=35
RATIO "C": 73%	<i>801634</i>	<i>R/836</i>	<i>R/686</i>

TABLE 3

	BOTTOM GEAR	DOUBLE INPUT GEAR	CODE PTO	GEAR BOX
RATIO "Z": 40% CODE : 803534..	<i>R/843</i>	<i>R/882</i>	<i>...64...</i>	<i>ALLISON 2000/2400</i>
RATIO "A": 50% CODE : 803334..	<i>R/813</i>	<i>R/922</i> <i>R/949</i>	<i>...64...</i> <i>...67...</i>	<i>ALLISON 2000/2400</i> <i>AISIN</i>
RATIO "B": 55% CODE : 803434..	<i>R/812</i>	<i>R/752</i>	<i>...64...</i>	<i>ALLISON 2000/2400</i>

TABLE 4 OUTPUT SHAFT

SHAFT TYPE	SHAFT CODE	REFERENCE	KEY CODE
SHAFT Ø1 ¼" RND 5/16" KEY	203014841	E/484	106040001
	203014842	E/484-1	106040002
SHAFT Z= 13 T	203034661	E/466	_____
	203034662	E/466-1	_____
SHAFT Z= 15 T	203034891	E/489	_____
	203034892	E/489-1	_____

PTO 3300 SERIES

TABLE 5 T CONNECTION/ O-RING ALLISON SERIES

TRANSMISION	"T" CONNECTION P/N		O-RING
1000/2000, 2400	<i>7/8" UNF 14H - 3/4" UNF 16H</i>	<i>202122831</i>	<i>107030005</i>
	<i>1 1/16" UNF 12H</i>	<i>202120401</i>	<i>107010075</i>