

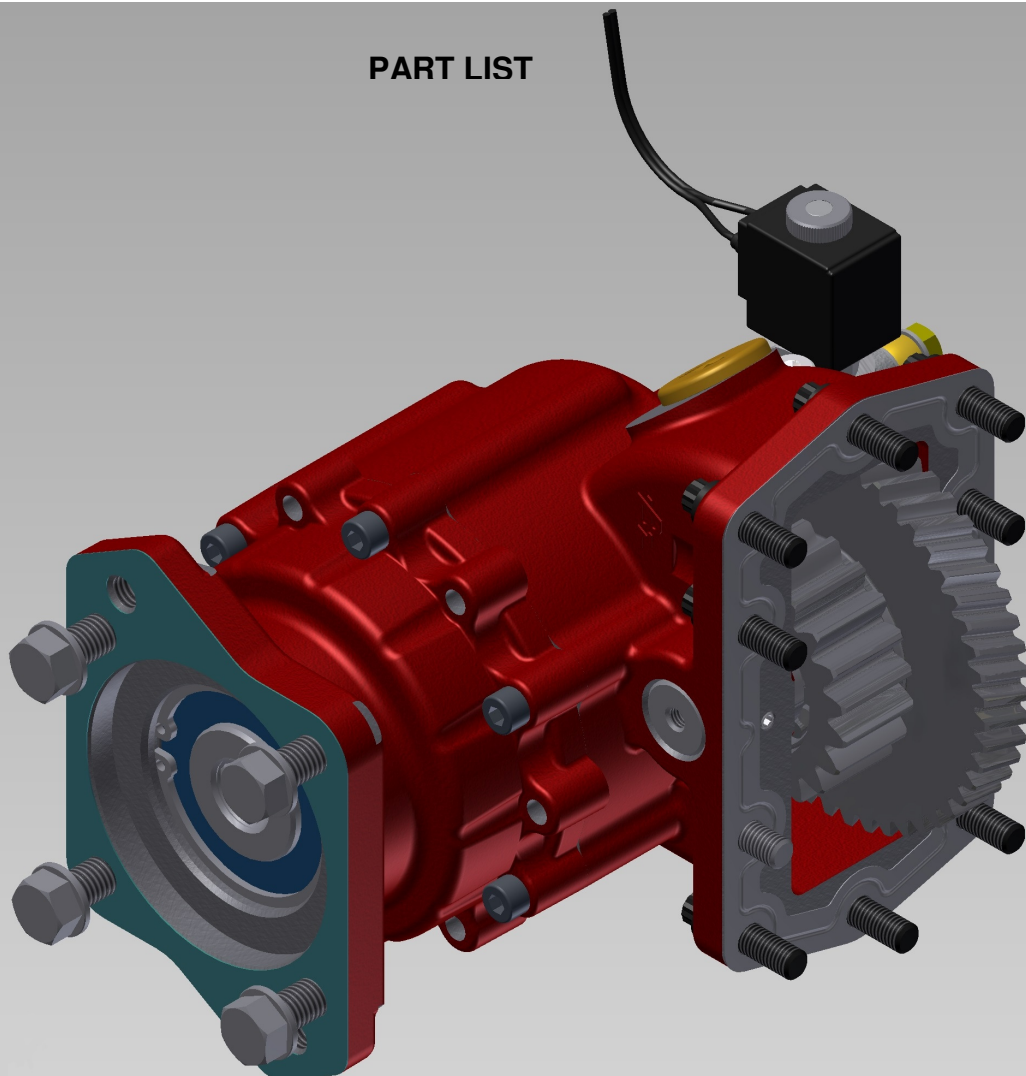
BZ

bezaresusa

PTO 3252

SERIES

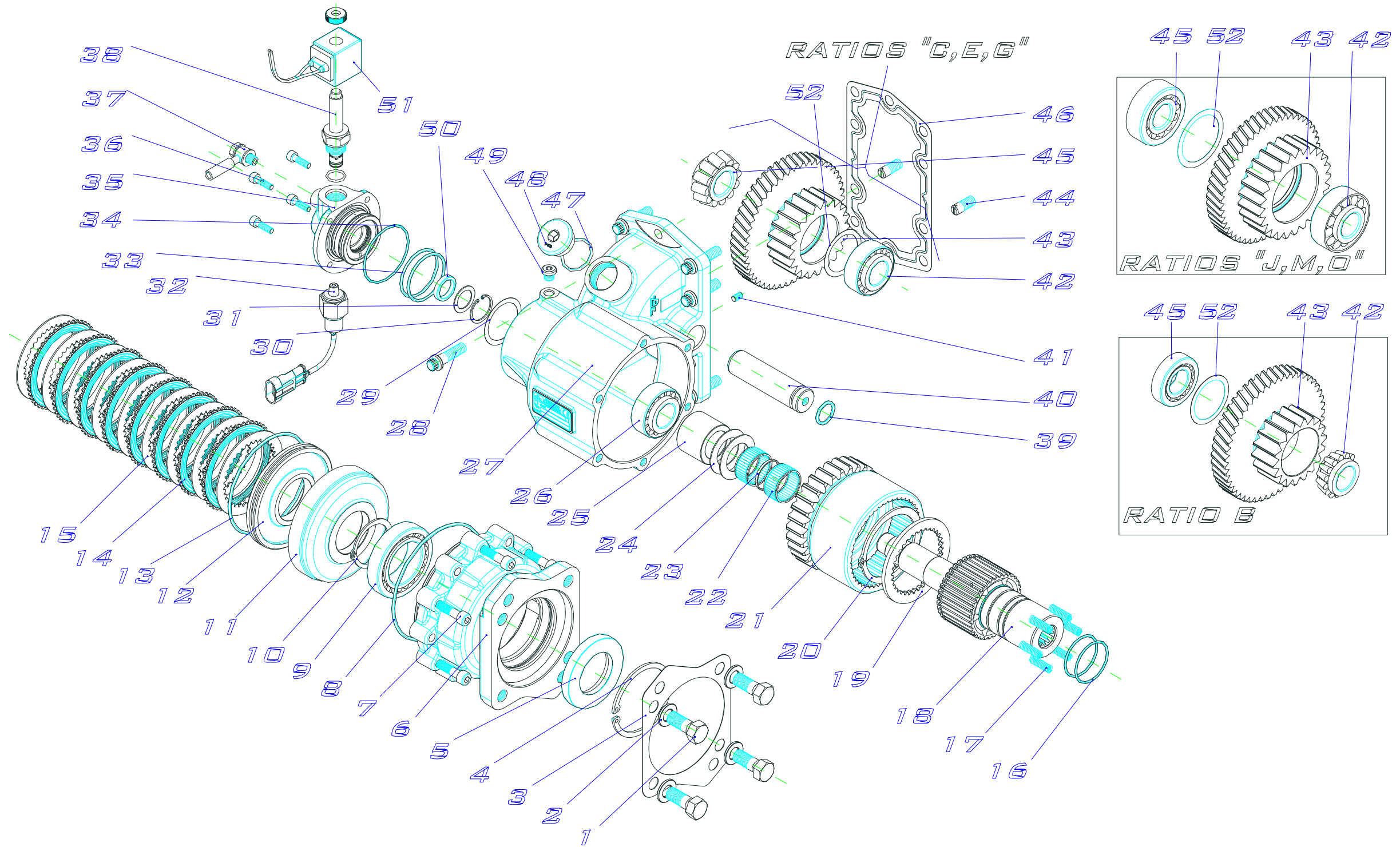
PART LIST



P
T
O

3
2
5
2

S
E
R
I
E
S



PTO 3252 SERIES SAE "B" 2/4 BOLT



PTO 3252 SERIES SAE "B" 2/4 BOLT HYDRAULIC SHIFT

ITEM	QT.	DESCRIPTION	DIMENS.	PART NUMBER	BZ USA P/N
1	4	Screw DIN 931, hex head	1/2" 13h UNC x 32	116020025	CS025
2	4	Washer DIN 125	Ø 13	102010005	WA005
3	1	Gasket		108010202	GA202
4	1	Snap ring DIN 472	Ø75	101020014	SR014
5	1	Oil seal BAF SL (VITON)	45 x 75 x 10	112090033	
6	1	Housing flange, open end		202124961	FL961
7	6	Screw allen head DIN 912	M8 x 40	116010011	AS011
8	1	O-ring viton	118 x 3	107100058	OR058
9	1	Taper roller bearing 32009	45 x 75 x 20	113300025	RB025
10	1	Snap ring DIN 471	Ø 45	101010007	SR007
11	1	Clutch back-up cylinder		200131802	PL802
12	1	Piston		204010631	PL631
13	1	O-ring (VITON)	94.5 x 3	107100017	OR017
14	9	Friction disc	Ø89	100110003	FD003
15	8	Clutch plate	Ø94	100110004	CP004
16	2	O-ring (VITON)	40 x 2	107100031	OR016
17	6	Spring		109010102	SPR102
18	1	Shaft PTO 3252 SAE "B"		TABLE 1	
19	1	Toothed washer		209110961	WA961
20	1	Snap ring DIN 471	Ø 70	101010038	SR038
21	1	Output gear		TABLE 3	
22	2	Needle bearing	30 x 35 x 17	113010011	RB011
23	1	Spacer bush	30x32x2.5	209015561	SB561
24	2	Friction washer	30 x 47 x 1	114010001	WA001
25	1	Spacer bush		209111031	SB031
26	1	Taper roller bearing	25x52x22	113300027	RB027
27A	1	Housing PTO 3252 (Position 1.)		9076099	HS3252-1
27B	1	Housing PTO 3252 (Position 3.)		9074599	HS3252-3
28	8	Torx Screw 10.9	M10x1.5	116080015	CS020
29	*	Fitting washer DIN 988 (As adjusting)	42 x 52 x 0.1	103010027	WA027
30	1	Snap ring DIN 472	Ø 28	101020028	SR028
31	1	Washer PS	20x28x1	103010021	WA021
32	1	Hydraulic pressure switch on	1/8" BSP	9059999	SW999E
33	2	O-ring	44 x 2.62	107100061	OR061
34	1	O-ring	58x2	107010160	OR060
35	1	Cover hydraulic		208013381	HA381
36	4	Screw DIN 912 8.8, allen head	M6 x 20	116010122	AS003
37	1	Pressure lube hose, MD / HD series		900899.2	PLH899
38	1	Cartridge 20L		9049490	CO490
39	1	O-ring	19,2x3	107100029	OR029
40	1	Pin shaft		203047461	IP461
41	1	Set screw	M6 x 10	117010006	SS006
42	1	Taper roller bearing	TABLE 2.	TABLE 2.	
43	1	Input gear		TABLE 3	
44	2	Guide PTO Allison	M10x1.5	111010014	GD014
45	1	Taper roller bearing	TABLE 2.	TABLE 2.	

PTO 3252 SERIES SAE "B" 2/4 BOLT HYDRAULIC SHIFT

ITEM	QT.	DESCRIPTION	DIMENS.	PART NUMBER	BZ USA P/N
46	1	Gasket 10 bolt		108010200	GA200
47	1	O-ring	29x3	107100096	OR045
48	1	Plug	M30x1.5	208020731	PL731
49	1	Allen head plug with o-ring	1/8" BSP	118020039	PL039
50	1	Collar viton	20 x 26 x 4.8	105090001	BU001
51	1	Coil 12 V. for electromagnet		9053590/1	CO290HD
52	1	Adjusting washer	TABLE 2.	TABLE 2.	

TABLE 1. OUTPUT SHAFT

SHAFT TYPE	SHAFT CODE		REFERENCE	KEY CODE
	PART NUMBER	BZ USA P/N		
SHAFT Ø1 ¼" RND 5/16" KEY	203014842	OS841	E/484-1	106040002
SHAFT Z= 13 T	203034662	OS662	E/466-1	
SHAFT Z= 15 T	203034892	OS892	E/489-1	

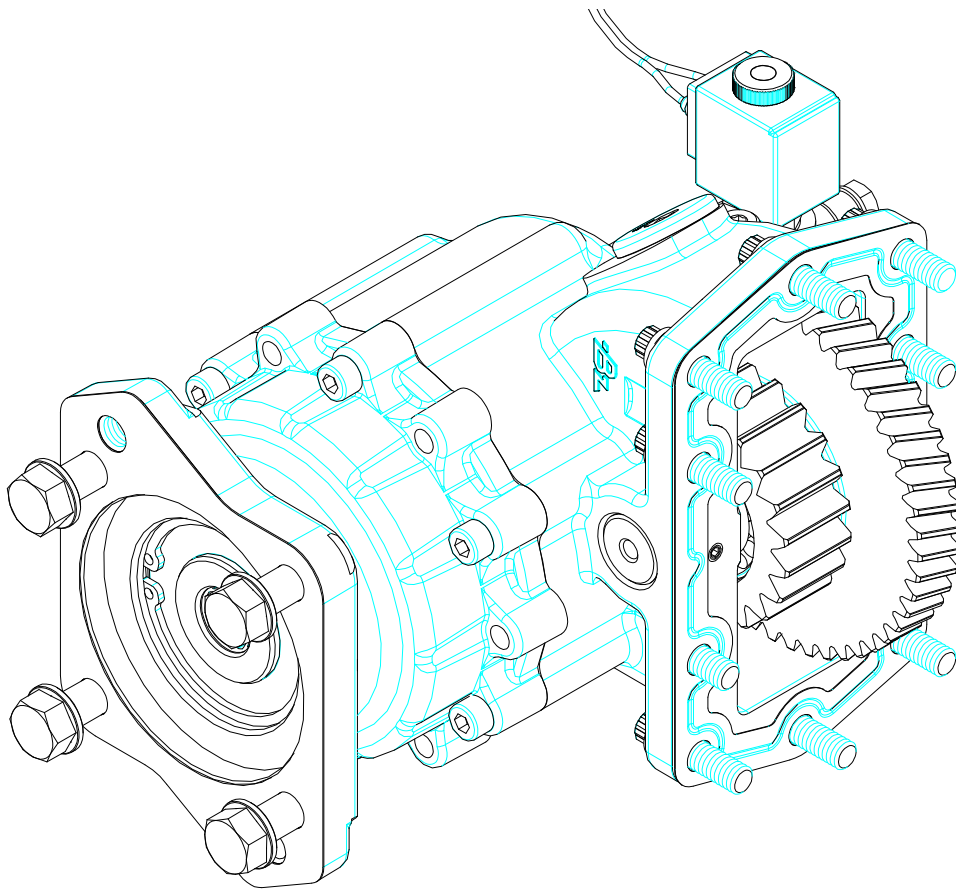
TABLE 2. TAPER ROLLER BEARING

RATIO	BEARING PART NUMBER	DIMENSION BEARING	ITEM	ADJUSTING WASHER (ITEM 52)
B	113300001	25X52X16,25 (30205)	45	Ø52 X0,3 103010052
	113300027	25X52X22 (33205)	42	
C	113300026	25X62X25,25 (32305)	45	Ø52 X0,3 103010052
	113300027	25X52X22 (33205)	42	
E	113300026	25X62X25,25 (32305)	45	Ø52 X0,3 103010052
	113300027	25X52X22 (33205)	42	
G	113300026	25X62X25,25 (32305)	45	Ø52 X0,3 103010052
	113300027	25X52X22 (33205)	42	
J	113300026	25X62X25,25 (32305)	45	Ø62 X0,3 103010034
	113300026	25X62X25,25 (32305)	42	
M	113300026	25X62X25,25 (32305)	45	Ø62 X0,3 103010034
	113300026	25X62X25,25 (32305)	42	
O	113300026	25X62X25,25 (32305)	45	Ø62 X0,3 103010034
	113300026	25X62X25,25 (32305)	42	

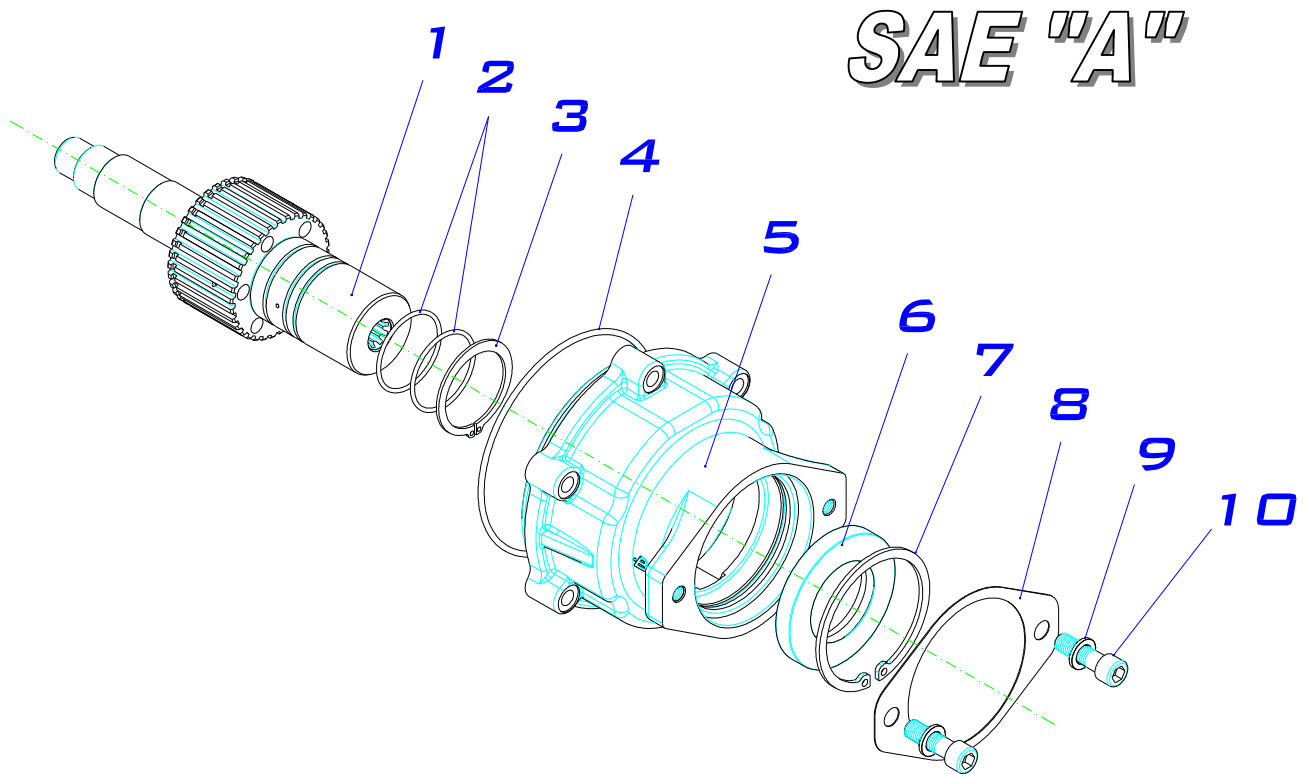


TABLE 3 PTO RATIO GEAR SET

PTO	RATIO	PART NUMBER	INPUT GEAR	Z		OUTPUT GEAR	Z
				SM. CLUSTER	LG. CLUSTER		
ALLISON 10 BOLT 3252 series	RATIO "B": 54 %	807134	G/131	18	49	G/130	33
	RATIO "C": 59 %	807234	G/109	19	49	G/128	32
	RATIO "E": 70 %	807334	G/111	21	49	R/813	30
	RATIO "G": 76 %	808034	G/149	22	49	R/812	29
	RATIO "J": 82 %	807434	G/104	23	49	G/129	28
	RATIO "M": 96 %	807534	G/122	25	49	R/836	26
	RATIO "O": 122 %	808134	G/118	28	49		23



PTO 3252 SERIES

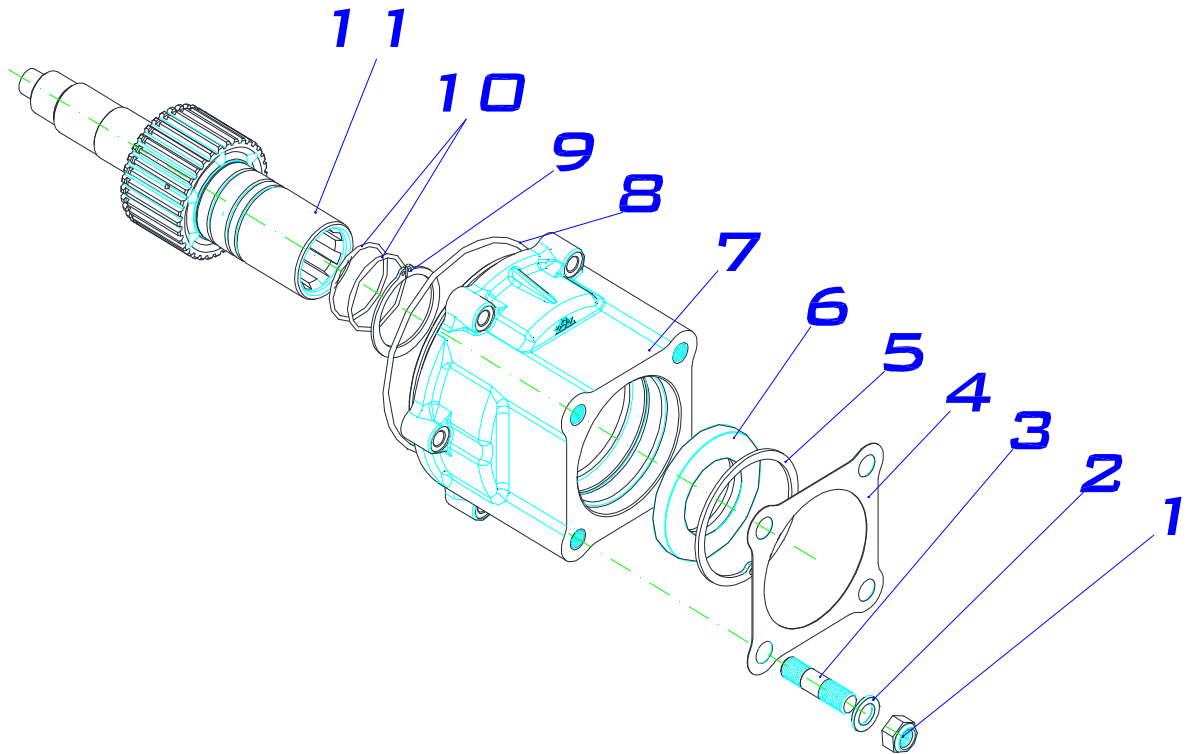


PTO 3252 SERIES

DESCRIPTION	CODE	PTO 3252 SERIES SAE A
CONVERSION KIT TO SAE "A"	803235	

ITEM	QT.	DESCRIPTION	DIMENS.	CODE	BZ USA CODE
1	1	Output shaft SAE 9 teeth		203037702	
2	2	O-ring (VITON)	40x2	107100031	
3	1	Snap ring DIN 472	Ø45	101010007	
4	1	O-ring	115x3	107010100	
5	1	Adapter housing		202124951	
6	1	Seal BAFSL	45x75x10	112090009	
7	1	Snap ring DIN 472	Ø75	101020014	
8	1	Gasket		108010113	
9	2	Washer DIN 125	10.5x16,8x2	102090010	
10	2	Screw DIN912 12.9 sealed	3/8x30	116010097	

ISO 4 BOLT

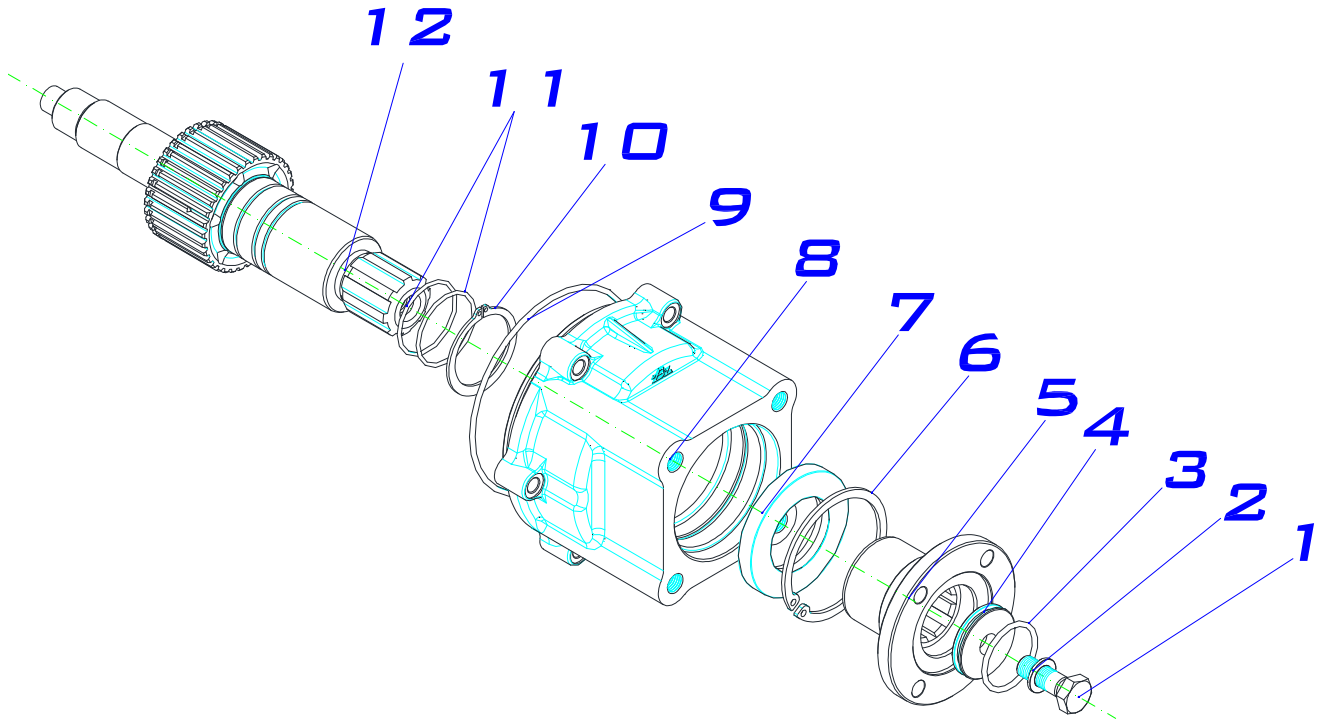


PTO 3252 SERIES

DESCRIPTION	CODE	PTO 3252 SERIES ISO 4 BOLT
CONVERSION KIT TO ISO 4 BOLT	805335	

ITEM	QT.	DESCRIPTION	DIMENS.	CODE	BZ USA CODE
1	4	Self locking nut	M12	119020003	NU003
2	4	Washer DIN 125	Ø12	102090009	WA009
3	4	Stud	M12x49	117020026	
4	1	Gasket		108010038	GA4015EC
5	1	Snap ring DIN 472	Ø75	101020014	SR014
6	1	Seal BAFSL	45x75x10	112090033	
7	1	Adapter housing		202122061	
8	1	O-ring (viton)	118x3	107100058	OR058
9	1	Snap ring DIN 471	Ø45	101010007	
10	2	O-ring (viton)	40x2	107100031	OR016
11	1	Shaft		203034972	

OUTPUT FLANGE SAE 1310/1410



PTO 3252 SERIES

DESCRIPTION	CODE	PTO 3252 SERIES O. FLANGE
CONVERSION KIT TO OUPUT FLANGE SAE 1310	805435	
SAE 1410	805535	

ITEM	QT.	DESCRIPTION	DIMENS.	CODE	BZ USA CODE
1	1	Screw DIN 933	M12x35	116030038	CS038
2	1	Washer DIN 125	Ø12	102090009	
3	3	O-ring	34.2x3	107010010	OR010
4	1	Adapting washer		211021301	WA301
5	1	Flange SAE 1310		206017791	
		Flange SAE 1410		206011271	FL615
6	1	Snap ring DIN 472	Ø75	101020014	SR014
7	1	Seal BAFSL	45x75x10	112090033	
8	1	Adapter housing		202122061	
9	1	O-ring (viton)	118x3	107100058	OR058
10	1	Snap ring DIN 471	Ø45	101010007	
11	2	O-ring (viton)	40x2	107100031	OR016
12	1	Shaft		203027801	OS081

PTO 3252 USA CODING

3252 P B E 63 3 SA

SERIES:
3252.- Allison 10 bolts

VERSIONS:
P.- GREASEABLE IDLER SHAFT.

RATIO:

B	C	E	G	J	M	O
54%	59%	70%	76%	82%	96%	122%

SHIFTER TYPE:

E = ELECTRIC 12V. OVER HYDRAULIC.
F = ELECTRIC 24V. OVER HYDRAULIC.

INPUT GEAR:
63 = ALLISON

OUTPUT TYPE:

DA = ISO 4 BOLT
 IB = FLANGE SAE 1300
 IC = FLANGE SAE 1400
 ID = FLANGE DIN 100
 SA = SAE "B" 2/4 BOLT 13T.
 SB = SAE "BB" 2/4 BOLT 15T.
 SE = SAE TYPE 1 1/4" ROUND SHAFT.

ASSEMBLY ARRANGEMENTS:

1.- RIGHT, FORWARD
 3.- LEFT, FORWARD

