

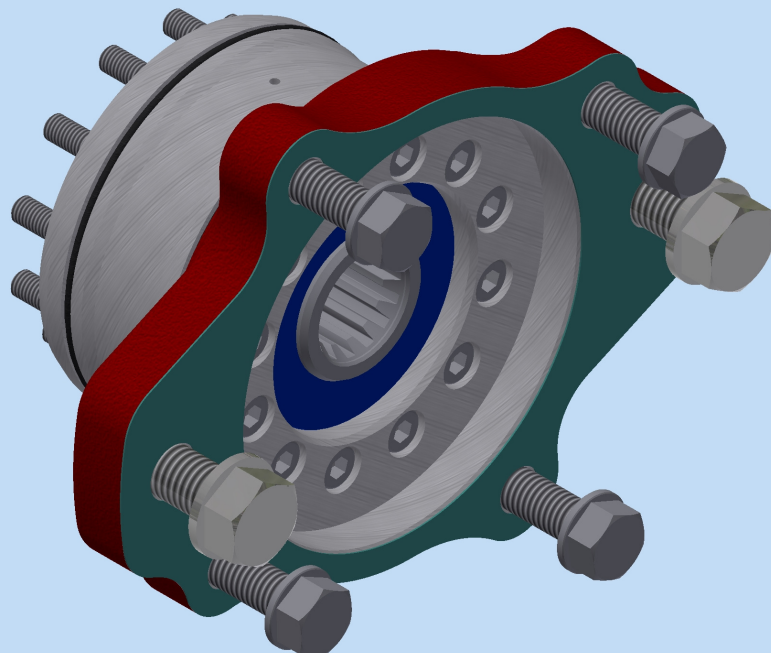
BZ

bezaresusa

REAR PUMP ADAPTER

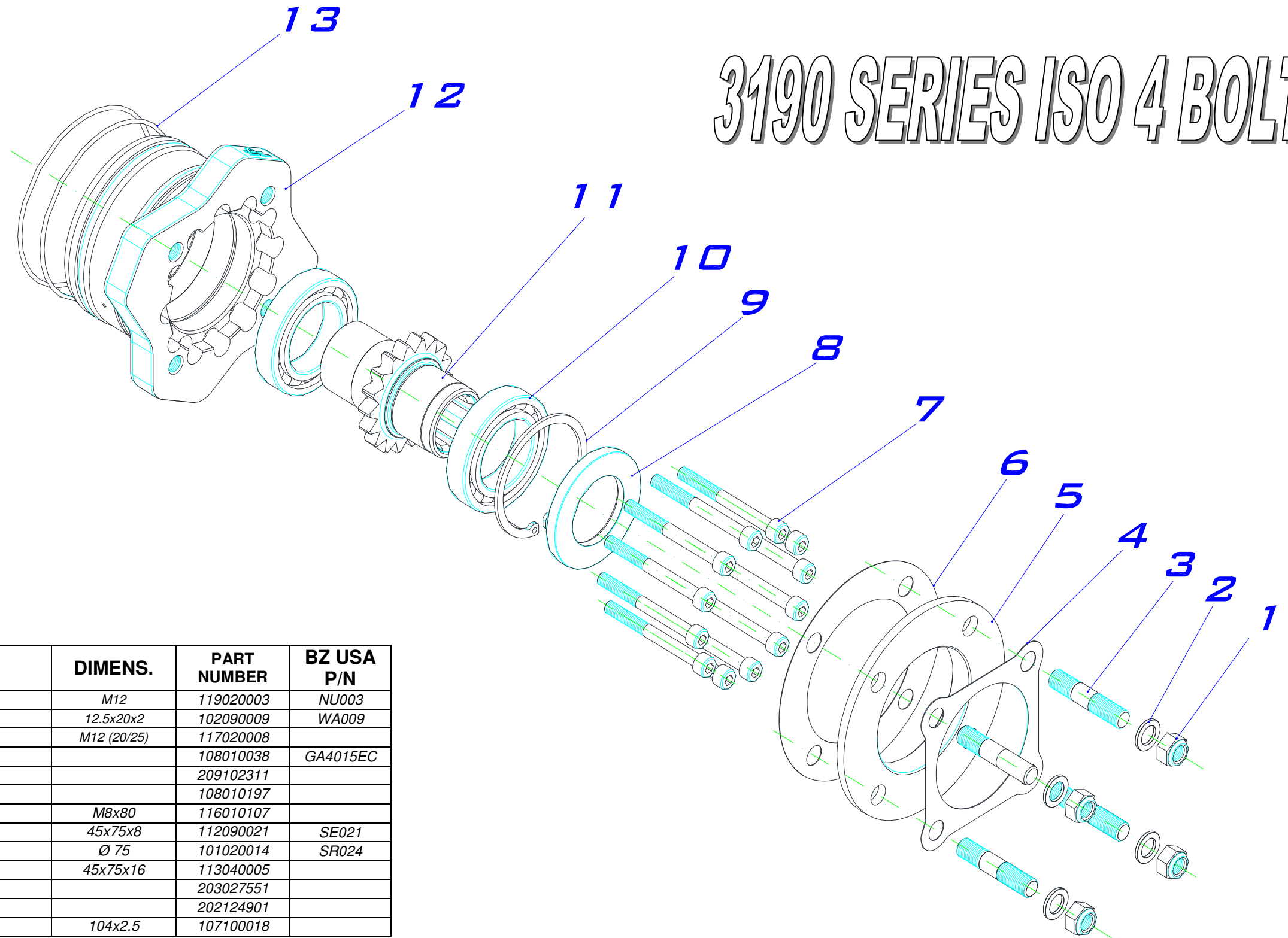
3190 SERIES

PART LIST



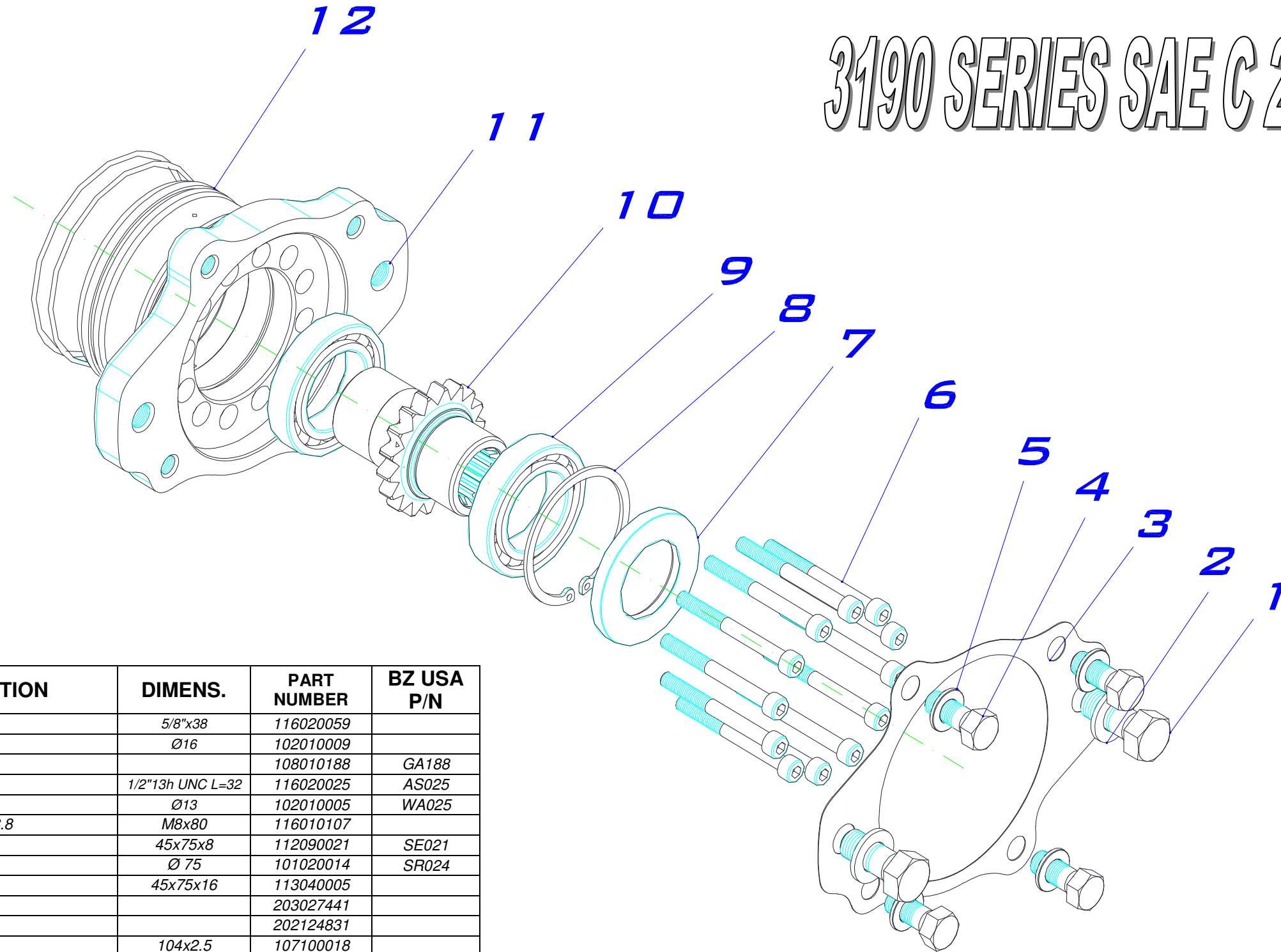
3190 SERIES

3190 SERIES ISO 4 BOLT



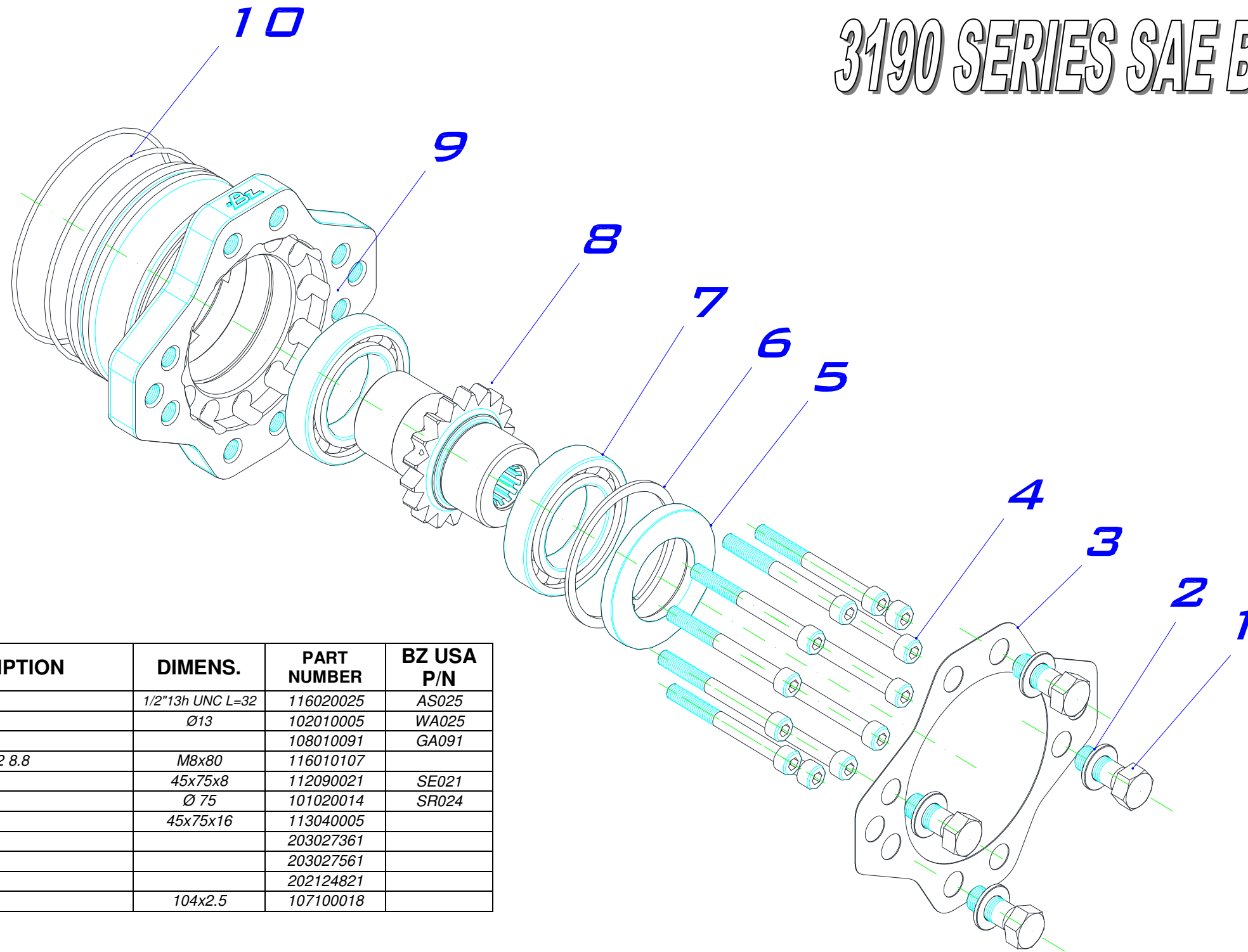
ITEM	QT.	DESCRIPTION	DIMENS.	PART NUMBER	BZ USA P/N
1	4	Special Nut	M12	119020003	NU003
2	4	Washer Din 125	12.5x20x2	102090009	WA009
3	4	Stud	M12 (20/25)	117020008	
4	1	Gasket		108010038	GA4015EC
5	1	Spacer Flange		209102311	
6	1	Gasket		108010197	
7	12	Allen Screw DIN 912 8.8	M8x80	116010107	
8	1	Seal BAF viton	45x75x8	112090021	SE021
9	1	Snap ring DIN 472	Ø 75	101020014	SR024
10	2	Ball Bearing 6009	45x75x16	113040005	
11	1	Shaft		203027551	
12	1	Output Flange		202124901	
13	2	O-ring	104x2.5	107100018	

3190 SERIES SAE C 2-4 BOLT



ITEM	QT.	DESCRIPTION	DIMENS.	PART NUMBER	BZ USA P/N
1	2	Screw DIN 931	5/8"x38	116020059	
2	2	Washer Din 125	Ø16	102010009	
3	1	Gasket		108010188	GA188
4	4	Screw DIN 931	1/2"13h UNC L=32	116020025	AS025
5	4	Washer Din 125	Ø13	102010005	WA025
6	12	Allen Screw DIN 912 8.8	M8x80	116010107	
7	1	Seal BAF viton	45x75x8	112090021	SE021
8	1	Snap ring DIN 472	Ø 75	101020014	SR024
9	2	Ball Bearing 6009	45x75x16	113040005	
10	1	Shaft		203027441	
11	1	Output Flange		202124831	
12	2	O-ring	104x2.5	107100018	

3190 SERIES SAE B , SAE BB



ITEM	QT.	DESCRIPTION	DIMENS.	PART NUMBER	BZ USA P/N
1	4	Screw DIN 931	1/2"13h UNC L=32	116020025	AS025
2	4	Washer Din 125	Ø13	102010005	WA025
3	1	Gasket		108010091	GA091
4	12	Allen Screw DIN 912 8.8	M8x80	116010107	
5	1	Seal BAF viton	45x75x8	112090021	SE021
6	1	Snap ring DIN 472	Ø 75	101020014	SR024
7	2	Ball Bearing 6009	45x75x16	113040005	
8	1	Shaft 13T SAE B		203027361	
	1	Shaft 15T SAE BB		203027561	
9	1	Ouput Flange		202124821	
10	2	O-ring	104x2.5	107100018	