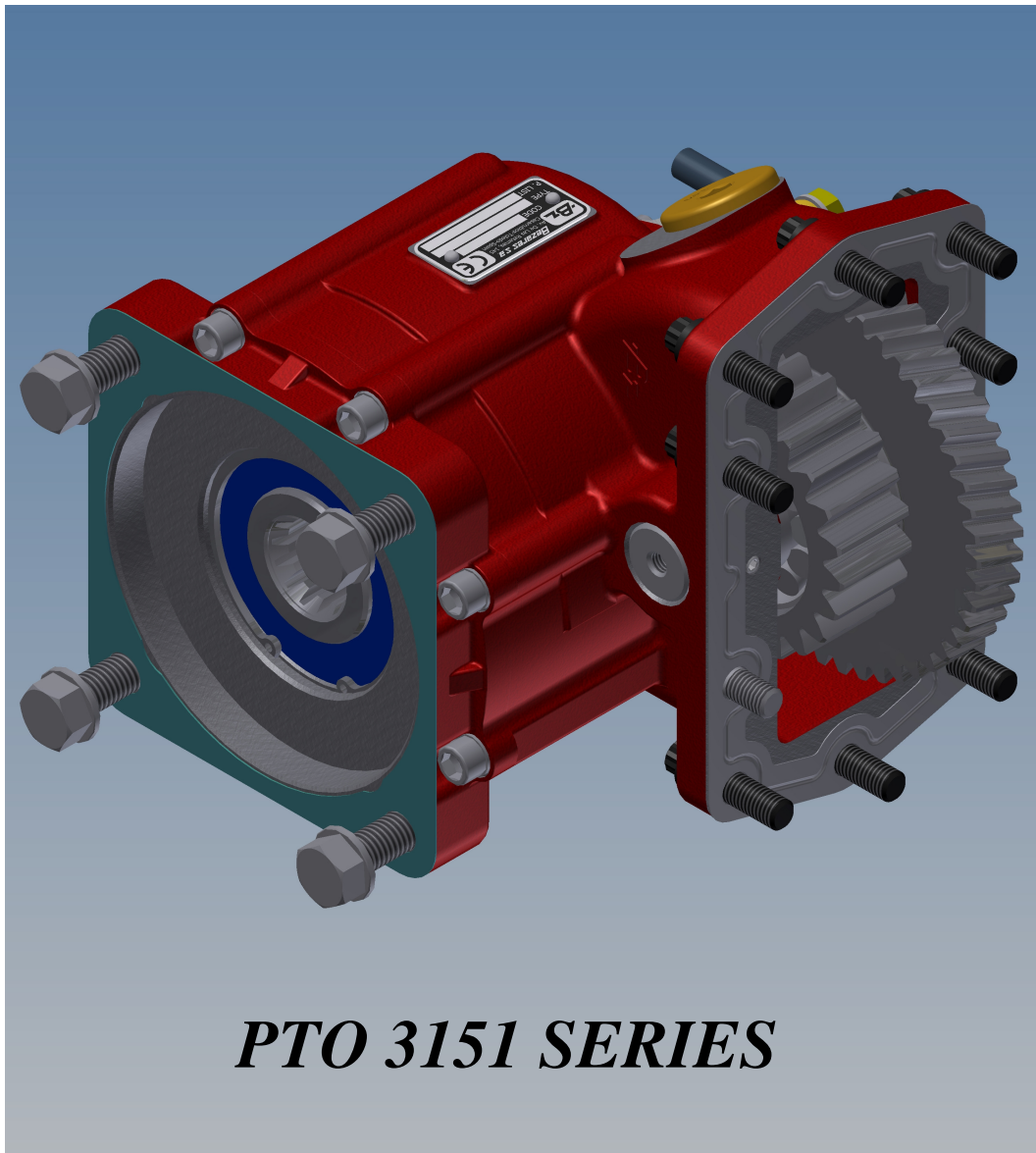


BZ

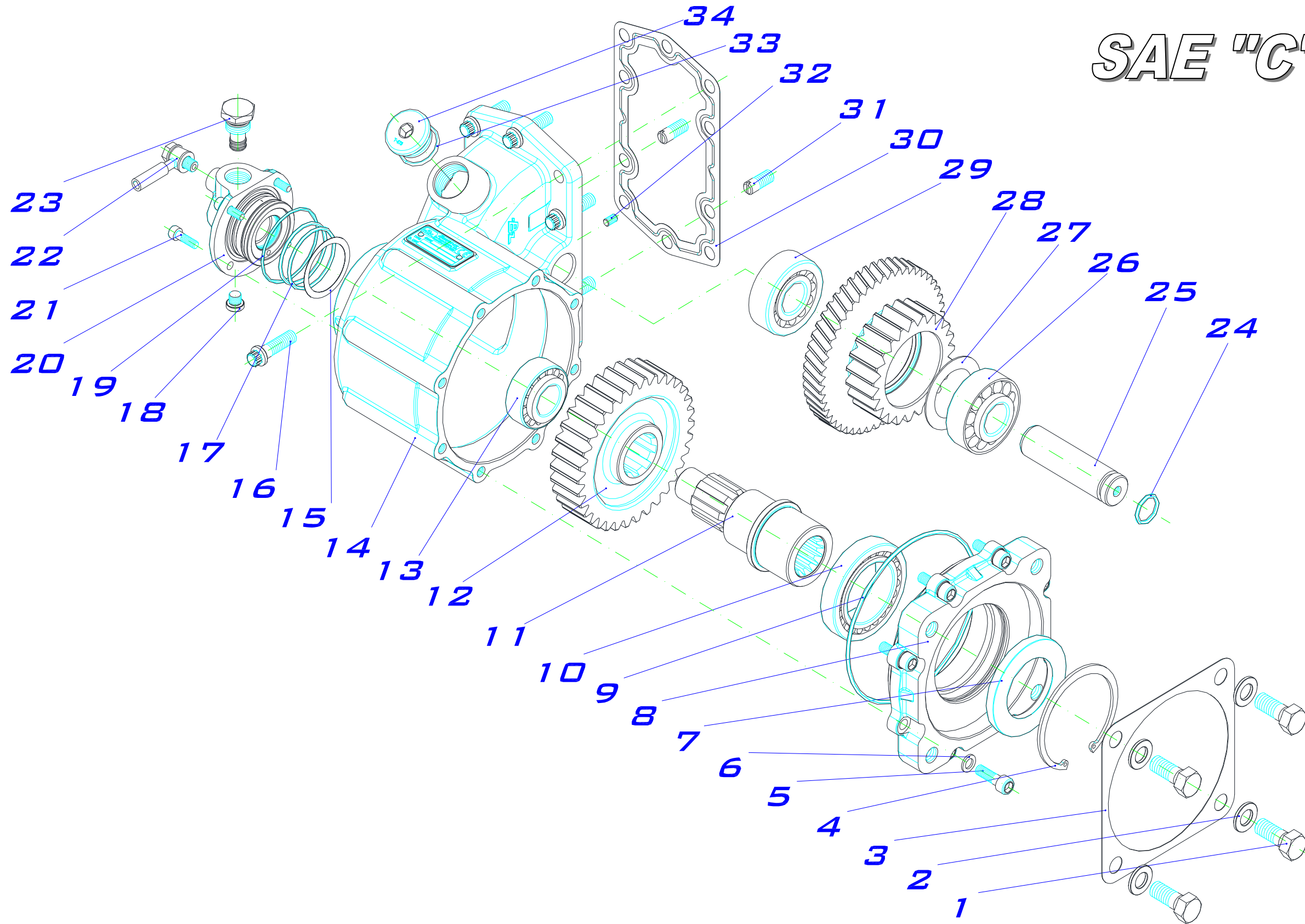
bezaresusa

PTO 3151 SERIES



PTO 3151 SERIES

SAE "C"



PTO 3151 SERIES SAE "C"

ITEM	QT.	DESCRIPTION	DIMENS.	PART NUMBER	BZ USA P/N
1	4	Screw DIN 931, hex head	½" 13 UNC x 32	116020025	CS025
2	4	Washer DIN 125	Ø13	102010005	WA005
3	1	Gasket		108010129	GA129
4	1	Snap ring DIN 472	Ø80	101020015	SR015
5	8	Screw allen head DIN 912	M8 x 25	116010009	AS009
7	1	Oil seal (Viton)	50 x 80 x 8	112110007	SE011
8	1	Adapter cover		202121361	AC361
9	1	O-ring (Viton)	134.5 x 3	107100054	
10	1	Taper roller bearing 32010X	50 x 80 x 20	113300021	RB021
11	1	Shaft		203027591	
12	1	Output gear		Table 1	
13	1	Taper roller bearing 33205	25x52x22	113300027	RB027
14A	1	Housing PTO 3131 (Position 1.)		9076199	HS3151-1
14B	1	Housing PTO 3131 (Position 3.)		9074699	HS3131-3
15	1	Washer PS (as setting)	42x52x0.3	103010052	WA052
16	8	Screw special head (Male-Torx)		116080015	CS015
17	2	O-ring (Viton)	44x2.62	107100061	OR061
18	1	Allen plug	1/8" BSP	118020039	PL039
19	1	O-Ring	58x2	107010160	OR060
20	1	Hydraulic shifting cover.		208013381	HA381
21	4	Screw DIN 912	M6x20	116010122	AS112
22	1	Pto shifting hose.		900899.2	
23	1	Special Plug for SAE 08 cavity		9053190	
24	1	O-ring (Viton 90)	19.2x3	107100029	OR029
25	1	Pin		203047461	IP461
26		Taper roller bearing	Table 2	Table 2	
27	1	Adjusting washer	Table 2	Table 2	
28	1	Upper gear		Table 1	
29		Taper roller bearing	Table 2	Table 2	
30	1	Gasket		108010200	GA200
31	2	Guide	M10x1.5	111010014	GD014
32	1	Stud	M6x10	117010006	SS006
33	1	O-ring (Viton)		107100096	OR045
34	1	Plug	M30x1.5	208020731	PL731

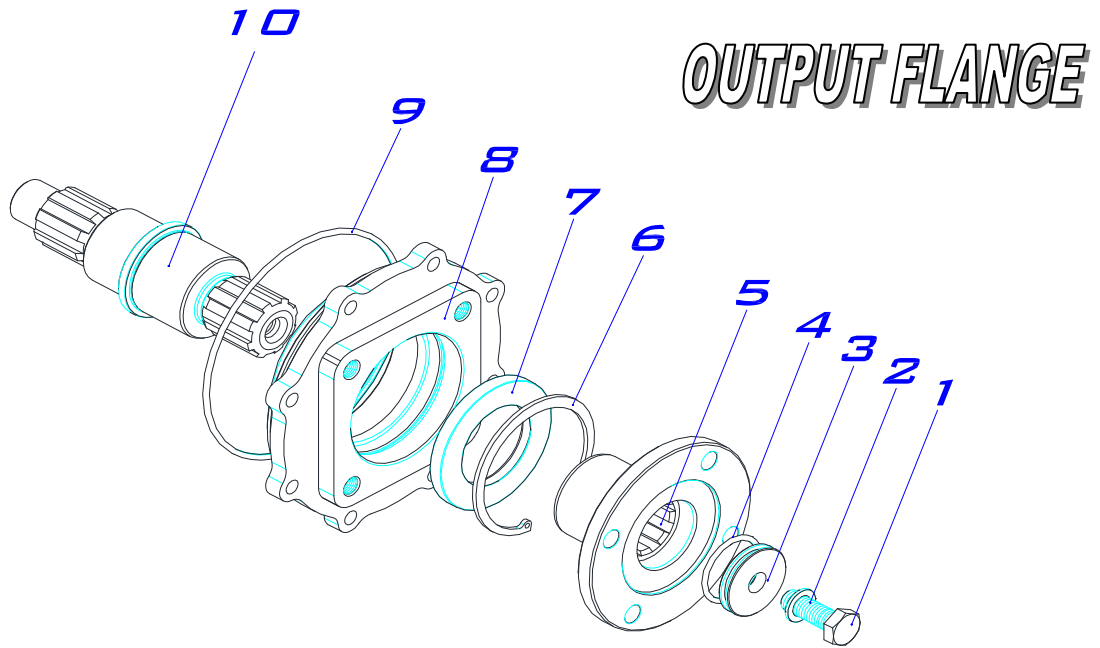


TABLE 1 PTO RATIO GEAR SET

PTO	RATIO	PART NUMBER	INPUT GEAR	Z		OUTPUT GEAR	Z
				SM. CLUSTER	LG. CLUSTER		
ALLISON 10 BOLT 3151 series	RATIO "B": 50%	808234	G/109	19	49	G/143	38
	RATIO "C": 58 %	808334	G/111	21	49	G/144	36
	RATIO "E": 68 %	808434	G/104	23	49	G/115	34
	RATIO "G": 78 %	808534	G/122	25	49	G/147	32
	RATIO "J": 84 %	808634	G/124	26	49	G/145	31
	RATIO "M": 97 %	808734	G/118	28	49	G/146	29
	RATIO "O": 119 %	808834	G/126	31	49	G/148	26

TABLE 2. CONICAL BEARING

RATIO	BEARING PART NUMBER	DIMENSION BEARING	ITEM	ADJUSTING WASHER (ITEM 27)
B	113300026	25X62X25,25 (32305)	29	Ø52 X0,3 103010052
	113300027	25X52X22 (33205)	26	
C	113300026	25X62X25,25 (32305)	29	Ø52 X0,3 103010052
	113300027	25X52X22 (33205)	26	
E	113300026	25X62X25,25 (32305)	29	Ø62 X0,3 103010034
	113300026	25X62X25,25 (32305)	26	
G	113300026	25X62X25,25 (32305)	29	Ø62 X0,3 103010034
	113300026	25X62X25,25 (32305)	26	
J	113300026	25X62X25,25 (32305)	29	Ø62 X0,3 103010034
	113300026	25X62X25,25 (32305)	26	
M	113300026	25X62X25,25 (32305)	29	Ø62 X0,3 103010034
	113300026	25X62X25,25 (32305)	26	
O	113300026	25X62X25,25 (32305)	29	Ø62 X0,3 103010034
	113300026	25X62X25,25 (32305)	26	



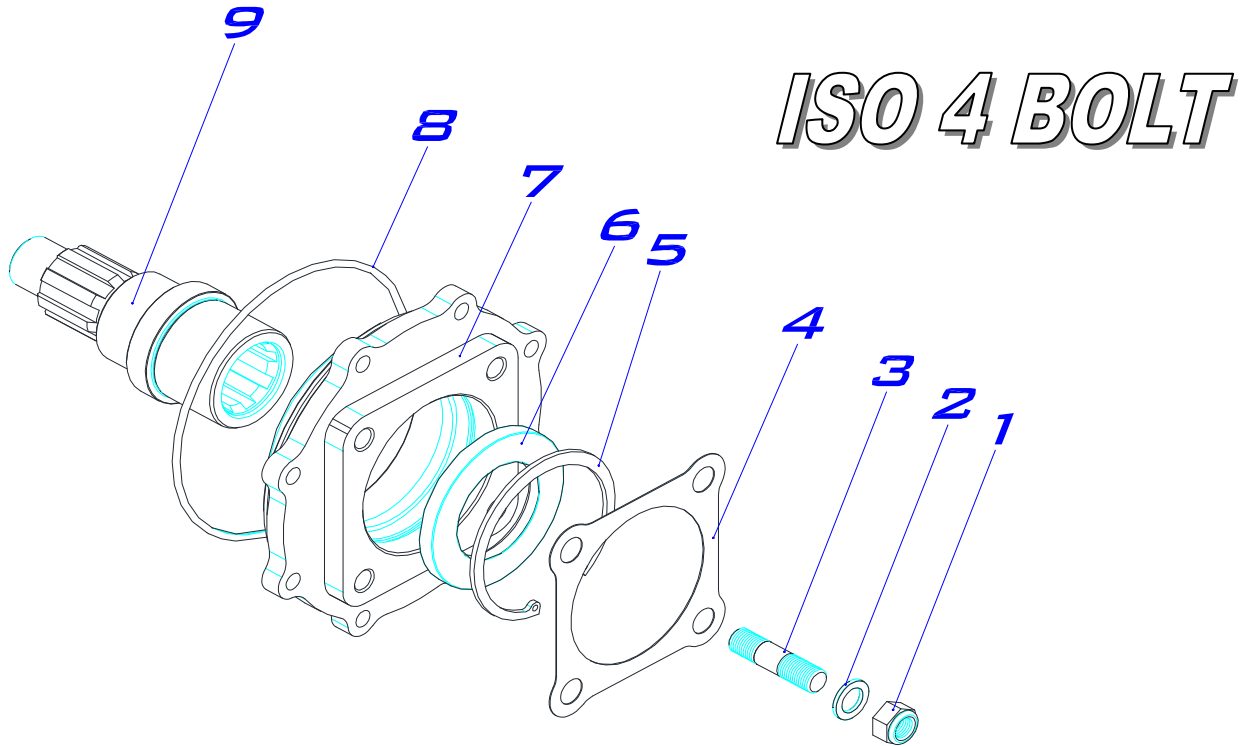
PTO 3151 SERIES

DESCRIPTION	PART NUMBER	PTO 3151 SERIES
CONVERSION KIT TO OUTPUT FLANGE	7022704	OUTPUT FLANGE

ITEM	QT.	DESCRIPTION	DIMENS.	PART NUMBER	BZ USA P/N
1	1	Screw DIN 933	M12x35	116030038	
2	1	Washer	12.5x20x2	102090009	
3	1	Washer		211021301	
4	1	O-ring	34.2x3	107010010	
5	1	Flange		Table 1.	
6	1	Snap ring DIN 472	Ø80	101020015	
7	1	Oil seal (Viton)	50x80x8	112110007	SE011
8	1	Housing flange		202123871	
9	1	O-ring	134.5x3	107100054	
10	1	Output shaft		203027791	

TABLE 1.

DESCRIPTION	PART NUMBER	BZ USA P/N
IB FLANGE SAE 1300	206012931	
IC FLANGE SAE 1400	206011271	



DESCRIPTION	PART NUMBER	PTO 3151 SERIES
CONVERSION KIT TO ISO 4 BOLT	7022804	ISO 4 BOLT

PTO 3151 SERIES

ITEM	QT.	DESCRIPTION	DIMENS.	PART NUMBER	BZ USA P/N
1	4	Nut DIN 934	M12	119020003	NU003
2	4	Washer DIN 125	12.5x20x2	102090009	WA009
3	4	Stud	M12x49	117020026	ST026
4	1	Gasket		108010038	GA4015EC
5	1	Snap ring DIN 472	Ø80	101020015	
6	1	Oil seal (Viton)	50x80x8	112110007	SE011
7	1	Housing flange		202123871	
8	1	O-ring (VITON)	134.5x3	107100054	
9	1	Shaft		203028031	