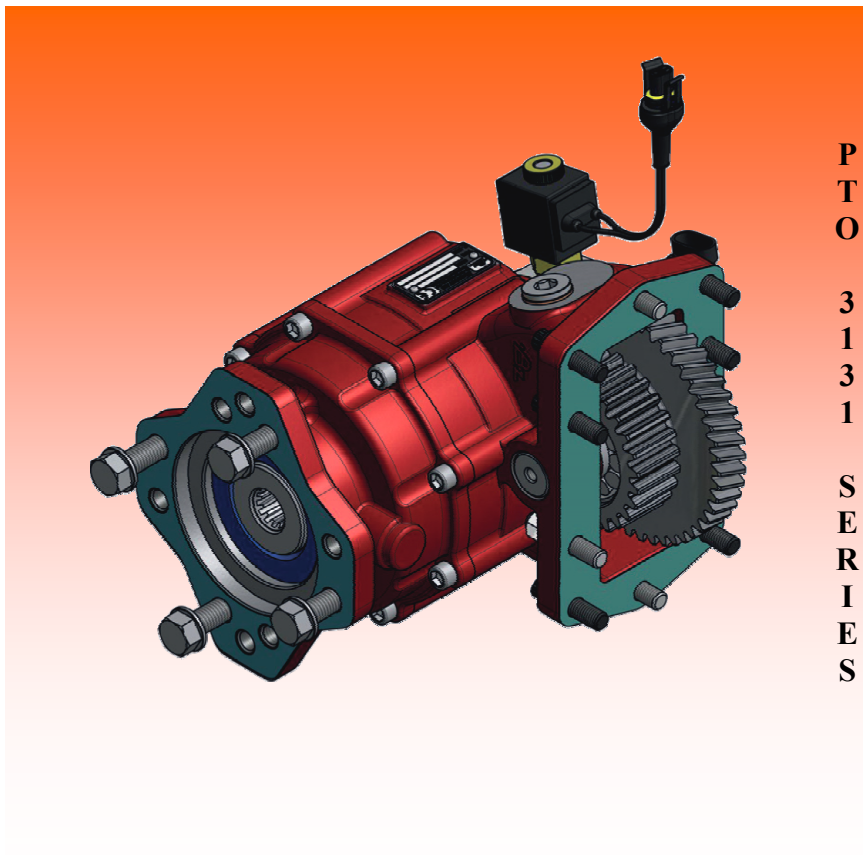


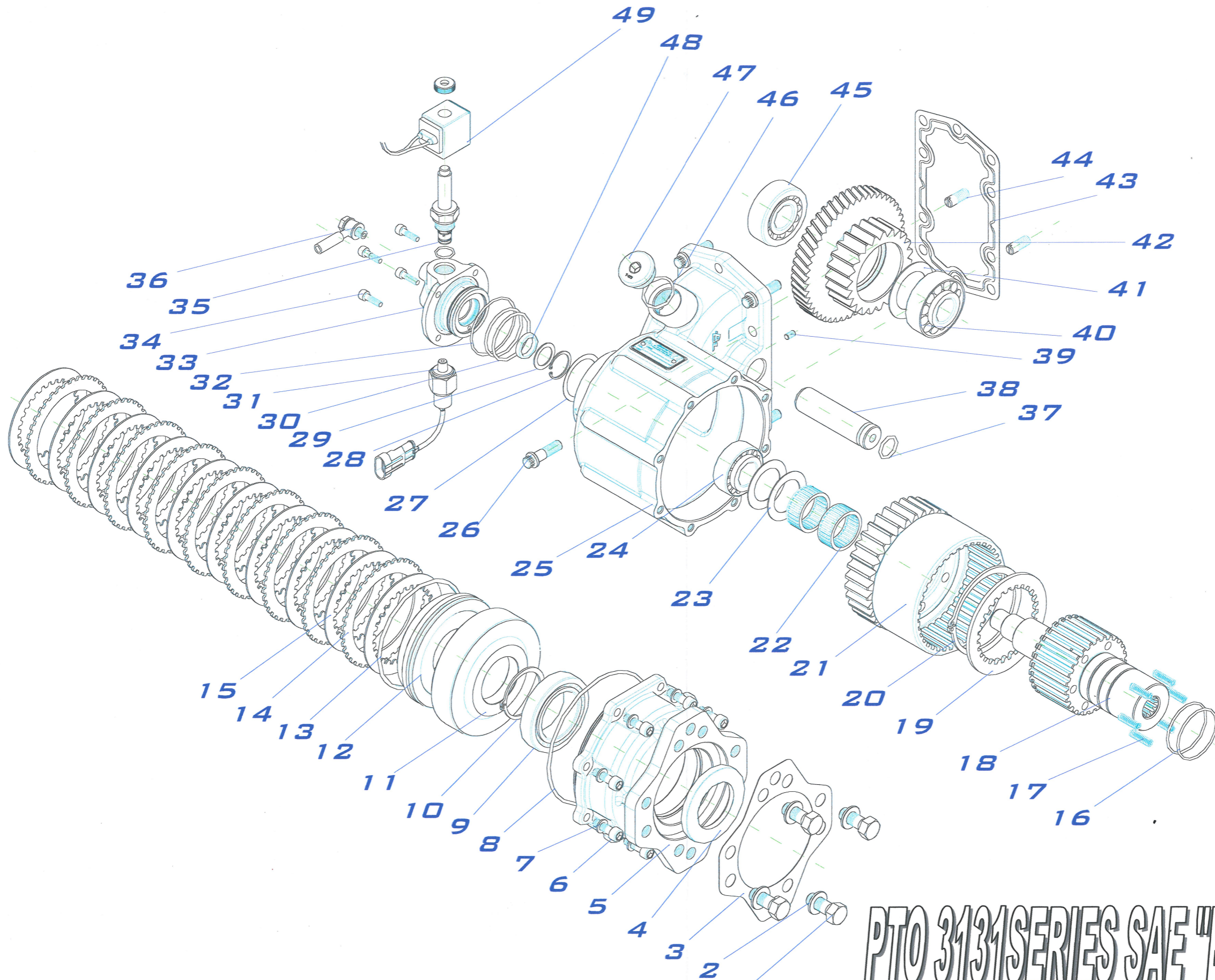


# PTO 3131 SERIES

PART LIST



P  
T  
O  
  
3  
1  
3  
1  
  
S  
E  
R  
I  
E  
S



PTO 3131 SERIES SAE "BB" 24 BOLT



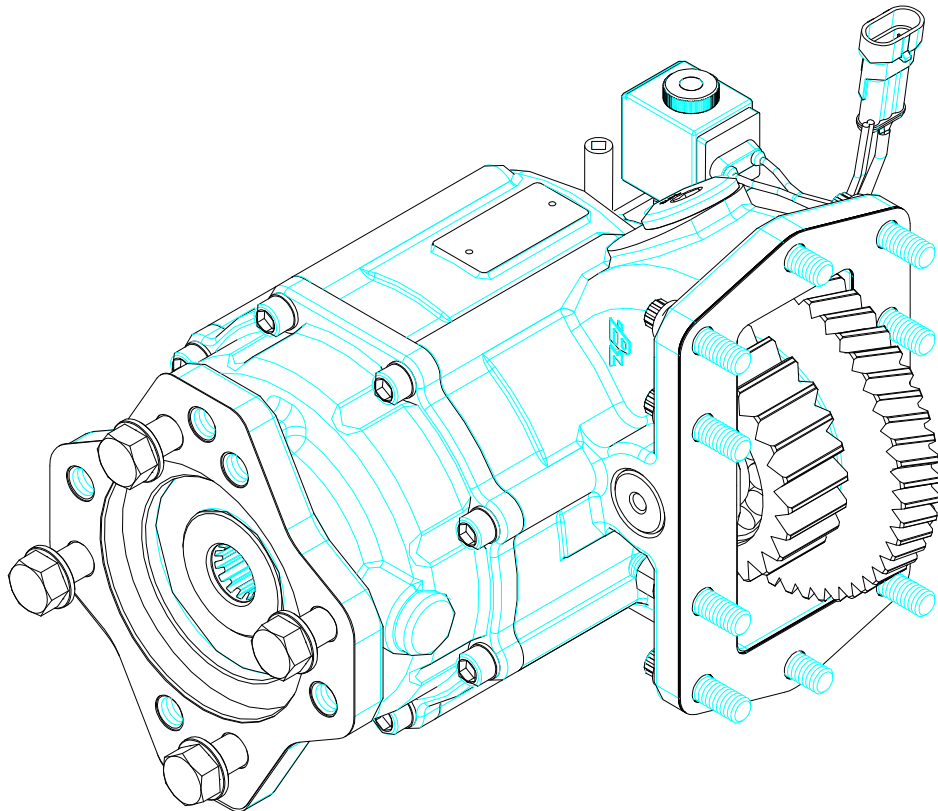
ITEM	QT.	DESCRIPTION	DIMENS.	PART NUMBER	BZ USA P/N
1	4	Screw DIN 931, hex head	1/2" 13h UNC x 32	116020025	CS025
2	4	Washer DIN 125	Ø 13	102010005	WA005
3	1	Gasket		108010091	GA091
4	1	Oil seal (VITON)	50 x 80 x 8	112110007	SE011
5	1	Housing flange, open end		202100311	FL311
6	8	Screw allen head DIN 912	M8 x 25	116010009	AS009
8	1	O-ring	134.5 x 3	107100054	OR054
9	1	Taper roller bearing 32010X	50 x 80 x 20	113300021	RB021
10	1	Snap ring DIN 471	Ø 50	101010009	SR009
11	1	Clutch back-up cylinder		202029182	
12	1	Piston		204010481	PI481
13	1	O-ring (VITON)	110 x 3	107100013	OR052
14	9	Clutch plate		100110002	CP002
15	10	Friction disc		100110001	FD001
16	2	O-ring (VITON)	46 x 2	107100014	OR057
17	6	Spring		109010102	SPR102
18	1	Shaft PTO 3131		203027401	OS401
19	1	Toothed washer		209019201	WA201
20	1	Snap ring DIN 471	Ø 85	101010029	SR029
21	1	Gear PTO allison 10T		Table 2	
22	2	Needle bearing	35 x 42 x 18	113010015	RB015
23	2	Friction washer	35 x 52 x 1	114010002	WA002
24	1	Taper roller bearing 33205	25x52x22	113300027	RB027
25A	1	Housing PTO 3131 (Position 1.)		9076199	HS3151-1
25B	1	Housing PTO 3131 (Position 3.)		9074699	HS3131-3
26	8	Torx Screw 10.9	M10x1.5	116080015	CS015
27	*	Fitting washer DIN 988 (As adjusting)	42 x 52 x 0.1	103010027	WA027
28	1	Snap ring DIN 472	Ø 28	101020028	SR028
29	1	Washer AS	20x28x1	114010012	
30	2	O-ring	44 x 2.62	107100061	OR061
31	1	Hydraulic pressure switch on	1/8" BSP	9059999	SW999E
32	1	O-ring	58x2	107010160	OR060
33	1	Cover hydraulic 3131 series		208013381	HA381
34	4	Screw DIN 912 8.8, allen head	M6 x 20	116010122	AS112
35	1	Cartridge 20L		9049490	CO490
36	1	Pressure lube hose, MD / HD series		900899.2	
37	1	O-ring	19,2x3	107100029	OR029
38	1	Pin shaft		203047461	IP461
39	1	Set screw	M6 x 10	117010006	SS006
40	*	Taper roller bearing		Table 1	
41	1	Adjusting washer		Table 1	
42	1	Input gear		Table 2	
43	1	Gasket		108010200	GA200
44	2	Guide PTO Allison	M10x1.5	111010014	GD014
45	1	Taper roller bearing		Table 1	
46	1	O-ring	29x3	107100096	OR045
47	1	Plug	M30x1.5	208020731	PL731
48	1	Collar	20 x 26 x 4.8	105090001	BU001
49	1	Coil 12 V. for electromagnet		9053590/1	CO290HD

**TABLE 1. TAPER ROLLER BEARING**

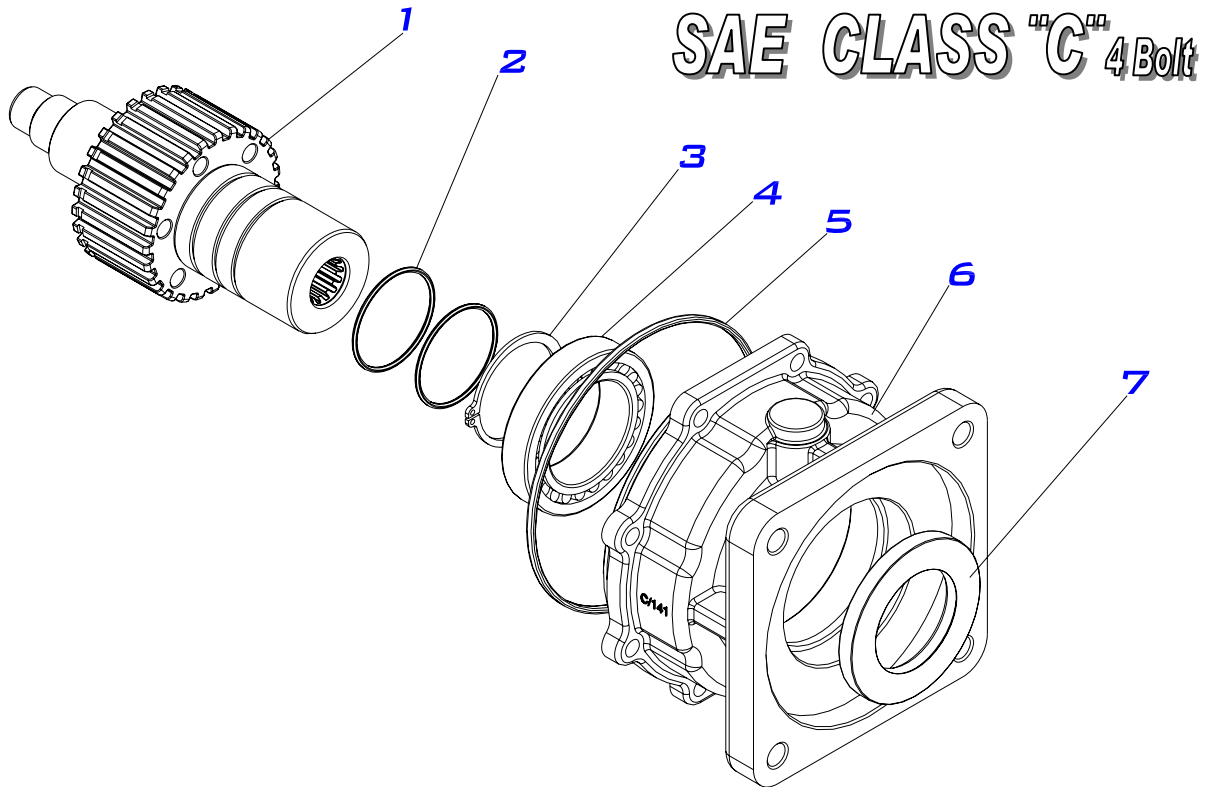
<b>RATIO</b>	<b>BEARING P/N.</b>	<b>DIMENSIONS</b>	<b>ITEM</b>	<b>ADJUSTING WASHER (ITEM 41)</b>
<b>B</b>	113300026	25x62x25.25 (32305)	45	Ø52x0.3 103010052
	113300027	25x52x22 (33205)	40	
<b>C</b>	113300026	25x62x25.25 (32305)	45	Ø52x0.3 103010052
	113300027	25x52x22 (33205)	40	
<b>E</b>	113300026	25x62x25.25 (32305)	45	Ø62x0.3 103010034
	113300026	25x62x25.25 (32305)	45	
<b>G</b>	113300026	25x62x25.25 (32305)	45	Ø62x0.3 103010034
	113300026	25x62x25.25 (32305)	45	
<b>J</b>	113300026	25x62x25.25 (32305)	45	Ø62x0.3 103010034
	113300026	25x62x25.25 (32305)	45	
<b>M</b>	113300026	25x62x25.25 (32305)	45	Ø62x0.3 103010034
	113300026	25x62x25.25 (32305)	45	
<b>O</b>	113300026	25x62x25.25 (32305)	45	Ø62x0.3 103010034
	113300026	25x62x25.25 (32305)	45	

TABLE 2. PTO RATIO GEAR SET

PTO	RATIO	PART NUMBER	INPUT GEAR	Z		OUTPUT GEAR	Z
				SM. CLUSTER	LG. CLUSTER		
ALLISON 10 BOLT 3131 series	RATIO "B": 50%	806234	G/109	19	49	G/110	38
	RATIO "C": 58 %	806334	G/111	21	49	G/112	36
	RATIO "E": 68 %	806434	G/104	23	49	G/105	34
	RATIO "G": 78 %	806534	G/122	25	49	G/123	32
	RATIO "J": 89 %	806634	G/124	26	49	G/125	31
	RATIO "M": 97 %	806734	G/118	28	49	G/119	29
	RATIO "O": 119 %	806834	G/126	31	49	G/127	26



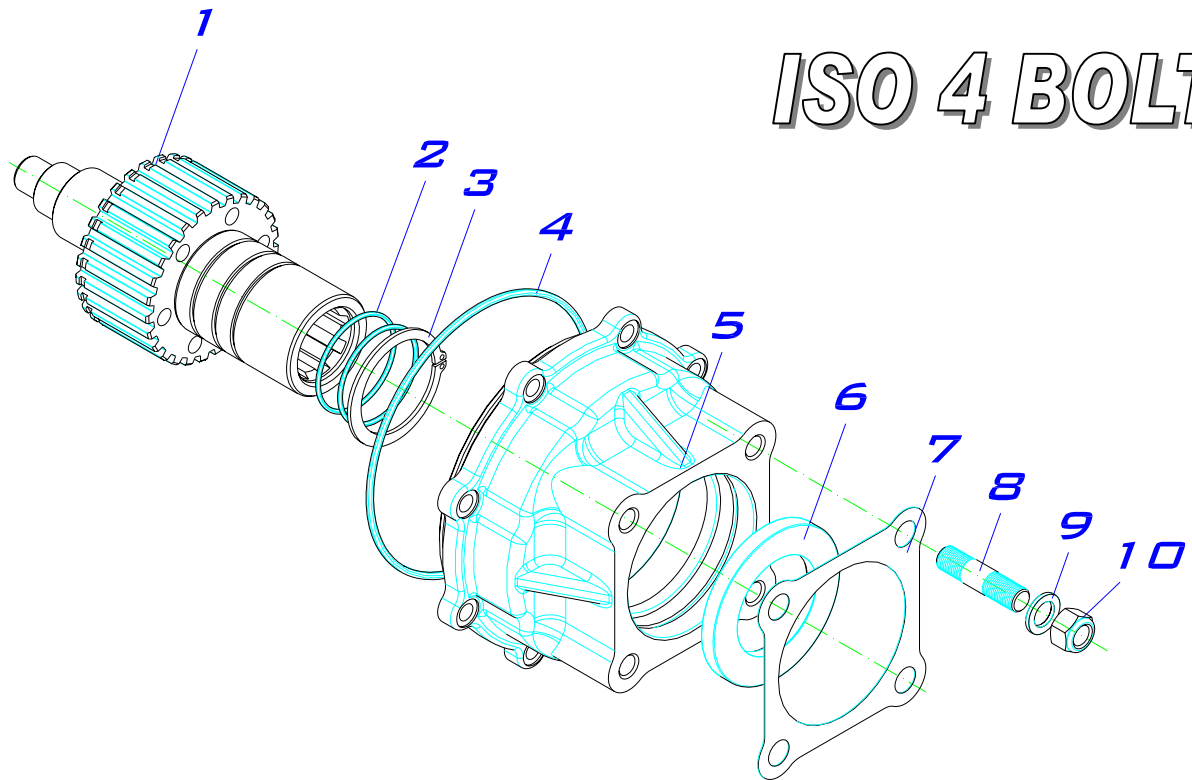
PTO 3131 SERIES



**PTO 3131 SERIES**

DESCRIPTION	PART NUMBER	PTO 3131 SERIES
<b>CONVERSION KIT TO SAE C 4 BOLT</b>	<b>803435</b>	<b>SAE C</b>

ITEM	QT.	DESCRIPTION	DIMENS.	PART NUMBER	BZ USA P/N
1	1	Splined shaft z=14		203027661	
2	2	O-ring (VITON)	46x2	107100014	OR057
3	1	Snap ring DIN 471	Ø50	101010009	SR009
4	1	Conical bearing 32010 X		113300021	RB021
5	1	O-ring	134.5x3	107010112	OR112
6	1	Housing flange, SAE CLASS "C"		202111411	FL411
7	1	Oil seal (Viton)	50x80x8	112110007	SE011

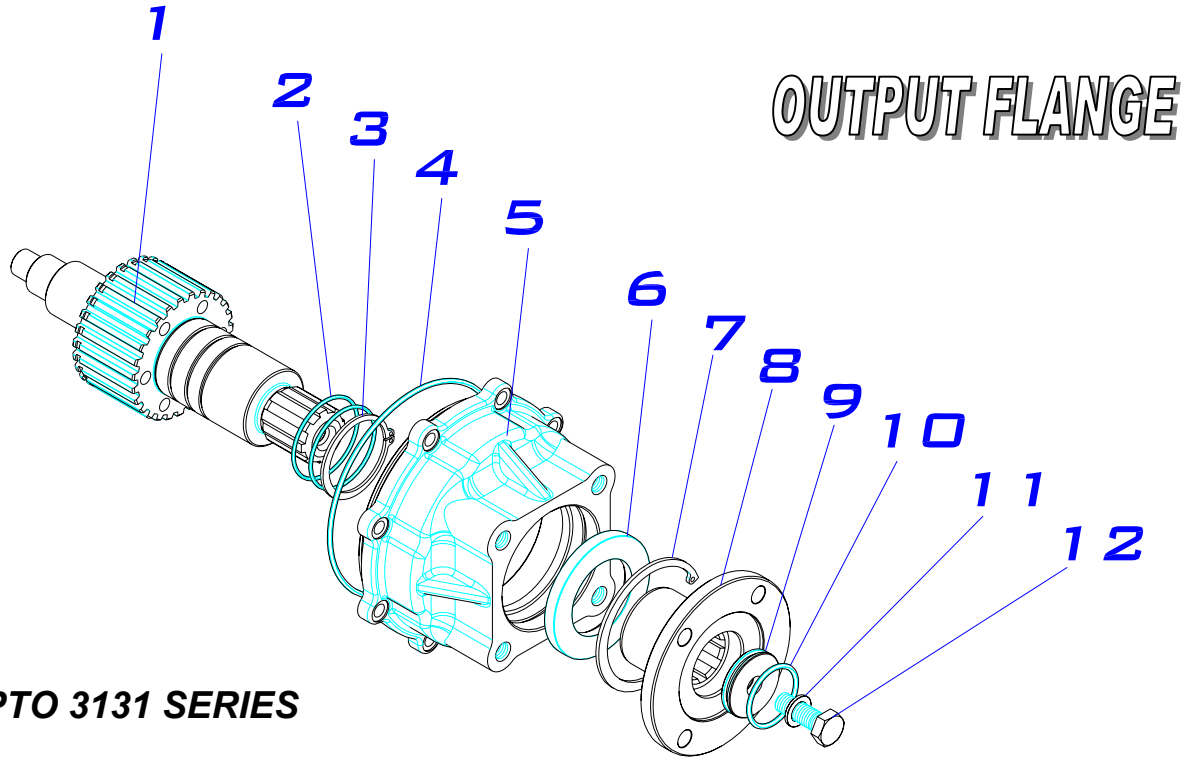


# ISO 4 BOLT

## PTO 3131 SERIES

DESCRIPTION	PART NUMBER	PTO 3131 SERIES
<b>CONVERSION KIT TO ISO 4 BOLT</b>	<b>803535</b>	<b>ISO 4 BOLT</b>

ITEM	QT.	DESCRIPTION	DIMENS.	PART NUMBER	BZ USA P/N
1	1	Output shaft		203027651	
2	2	O-ring (VITON)	46x2	107100014	OR057
3	1	Snap ring DIN 471	Ø50	101010009	SR009
4	1	O-ring	134.5x3	107010112	OR112
5	1	Housing flange, open end		202029131	FL131
6	1	Oil seal (Viton)	50x80x8	112110007	SE011
7	1	Gasket		108010038	GA4015EC
8	4	Stud DIN 833	M12x40	117020026	ST026
9	4	Washer DIN 125	12.5x20x2	102090009	WA009
10	4	Nut DIN 934	M12	119020003	NU003



**PTO 3131 SERIES**

<b>DESCRIPTION</b>	<b>PART NUMBER</b>	<b>PTO 3131 SERIES OUTPUT FLANGE</b>
<b>CONVERSION KIT TO OUTPUT FLANGE</b>	<b>803635</b>	

ITEM	QT.	DESCRIPTION	DIMENS.	PART NUMBER	BZ USA P/N
1	1	Output shaft		203027641	
2	2	O-ring (VITON)	46x2	107100014	OR057
3	1	Snap ring DIN 471	Ø50	101010009	SR009
4	1	O-ring	134.5x3	107010112	OR112
5	1	Housing flange, open end		202029131	FL131
6	1	Oil seal (Viton)	50x80x8	112110007	SE011
7	1	Snap ring DIN 472	Ø80	101020015	
8	1	Flange		Table 1.	
9	1	Washer		211021301	
10	1	O-ring	34.2x3	107010010	
11	1	Washer	12.5x20x2	102090009	
12	1	Screw DIN 933	M12x35	116030038	

**TABLE 1.**

DESCRIPTION	PART NUMBER
IB FLANGE SAE 1300	206012931
IC FLANGE SAE 1400	206011271