

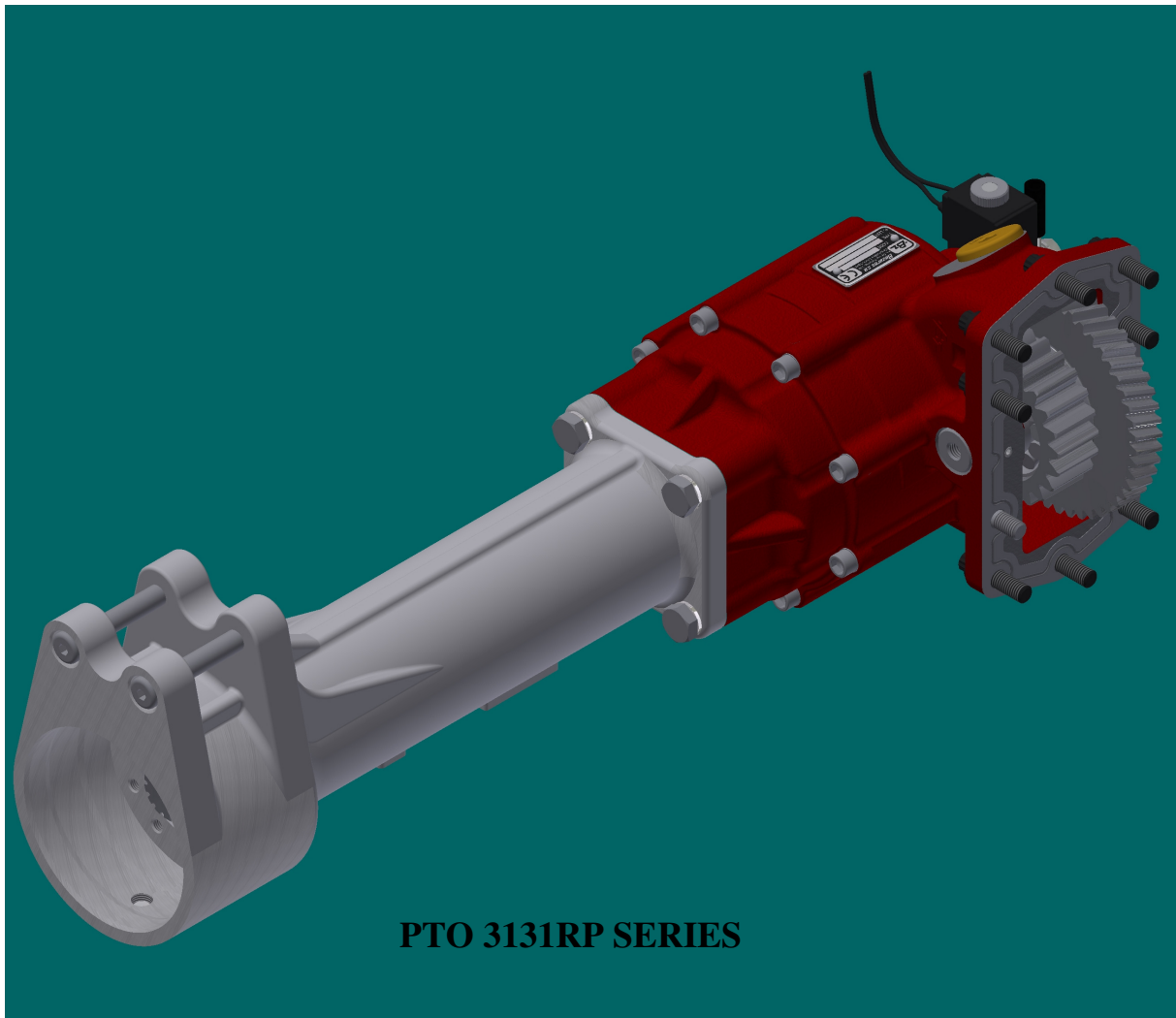
BZ

bezaresusa

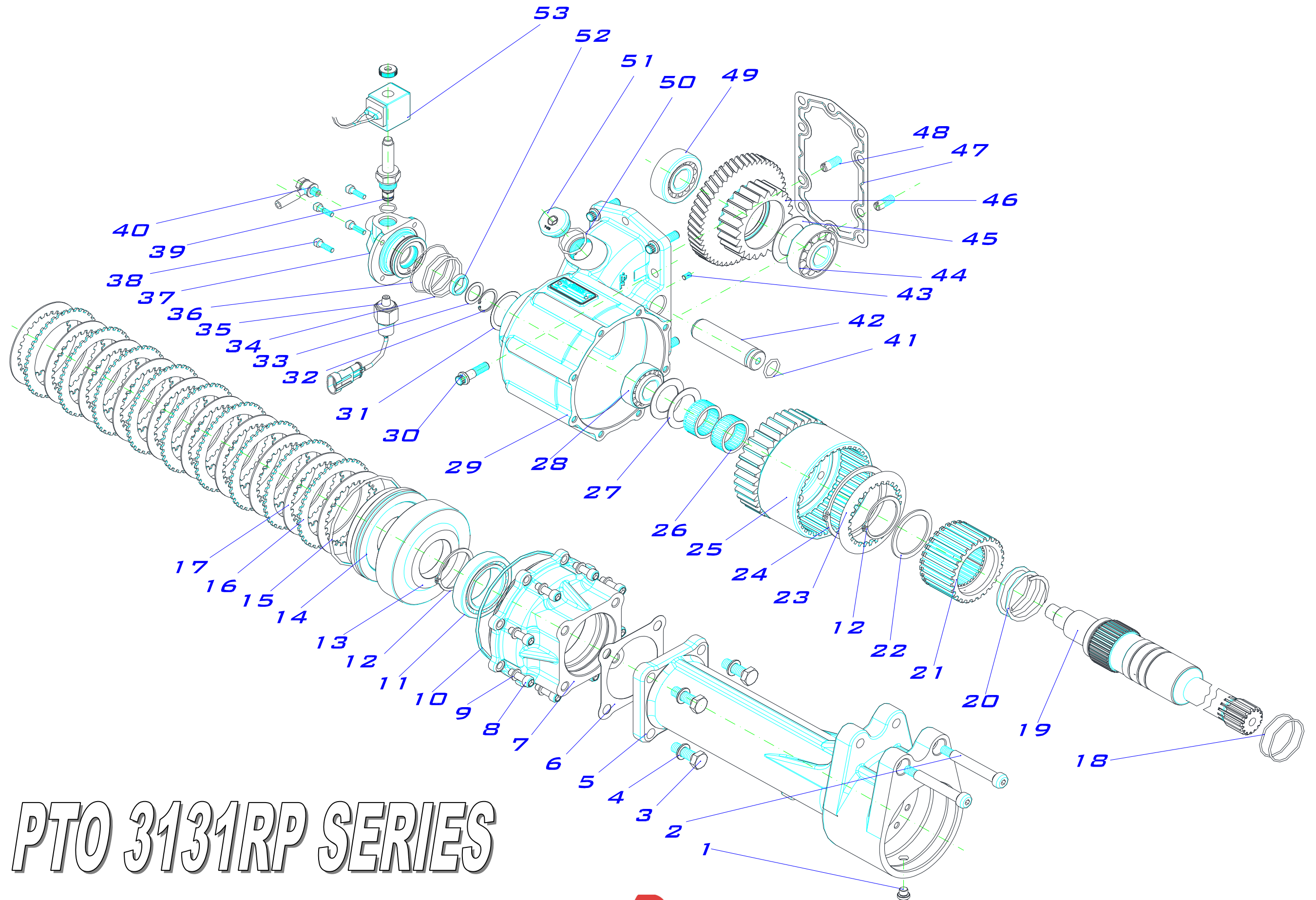
PTO 3131RP

SERIES

PART LIST



PTO 3131RP SERIES



PTO 3131RP SERIES

PTO 3131RP SERIES HYDRAULIC SHIFT

ITEM	QT.	DESCRIPTION	DIMENS.	PART NUMBER	BZ USA P/N
1	1	Allen plug with O-ring	1/8" BSP	118020039	PL039
2	2	Screw ISO 7379	M10x12x70	116180001	
3	4	Screw DIN 931, hex head	M12x35	116030038	CS038
4	4	Washer DIN 125	Ø 12.5	102090009	WA009
5	1	Housing adapter 3131RP		202124811	
6	1	Gasket		108010038	GA4015EC
7	1	Housing flange, open end		202029131	
8	8	Screw allen head DIN 912	M8 x 25	116010009	AS009
10	1	O-ring	134.5 x 3	107100054	OR054
11	1	Conical bearing 32010X	50 x 80 x 20	113300021	RB021
12	1	Snap ring DIN 471	Ø 50	101010009	SR009
13	1	Clutch back-up cylinder		202029182	
14	1	Piston		204010481	PI481
15	1	O-ring (VITON)	110 x 3	107100013	OR052
16	9	Clutch plate		100110002	CP002
17	10	Friction disc		100110001	FD001
18	2	O-ring (VITON)	46 x 2	107100014	OR057
19	1	Shaft PTO 3131RP		203027982	
20	1	Spring		109010097	
21	1	Gear bush		207011271	
22	1	Support washer		209112601	
23	1	Toothed washer		209019201	WA201
24	1	Snap ring DIN 471	Ø 85	101010029	SR029
25	1	Gear PTO allison 10T		Table 2.	
26	2	Needle bearing	35 x 42 x 18	113010015	RB015
27	2	Friction washer	35 x 52 x 1	114010002	WA002
28	1	Conical bearing 33205	25x52x22	113300027	RB027
29A	1	Housing PTO 3131 (Position 1.)		9076199	HS3151-1
29B	1	Housing PTO 3131 (Position 3.)		9074699	HS3131-3
30	8	Torx Screw 10.9	M10x1.5	116080015	CS020
31	*	Fitting washer DIN 988 (As adjusting)	42 x 52 x 0.1	103010027	WA027
32	1	Snap ring DIN 472	Ø 28	101020028	SR028
33	1	Washer AS	20x28x1	114010012	
34	2	O-ring	44 x 2.62	107100061	OR061
35	1	Hydraulic pressure switch on	1/8" BSP	9059999	SW999
36	1	O-ring	58x2	107010160	OR060
37	1	Cover hydraulic 3131 series		208013381	HA381
38	4	Screw DIN 912 8.8, allen head	M6 x 20	116010122	AS112
39	1	Cartridge 20L		9049490	CO490
40	1	Pressure lube hose, MD / HD series		900899.2	
41	1	O-ring	19,2x3	107100029	OR029
42	1	Pin shaft		203047461	IP461
43	1	Set screw	M6 x 10	117010006	SS006
44	1	Conical bearing	Table 1.	Table 1.	
45	1	Adjusting washer	Table 1.	Table 1.	
46	1	Input gear		Table 2.	

PTO 3131RP SERIES HYDRAULIC SHIFT

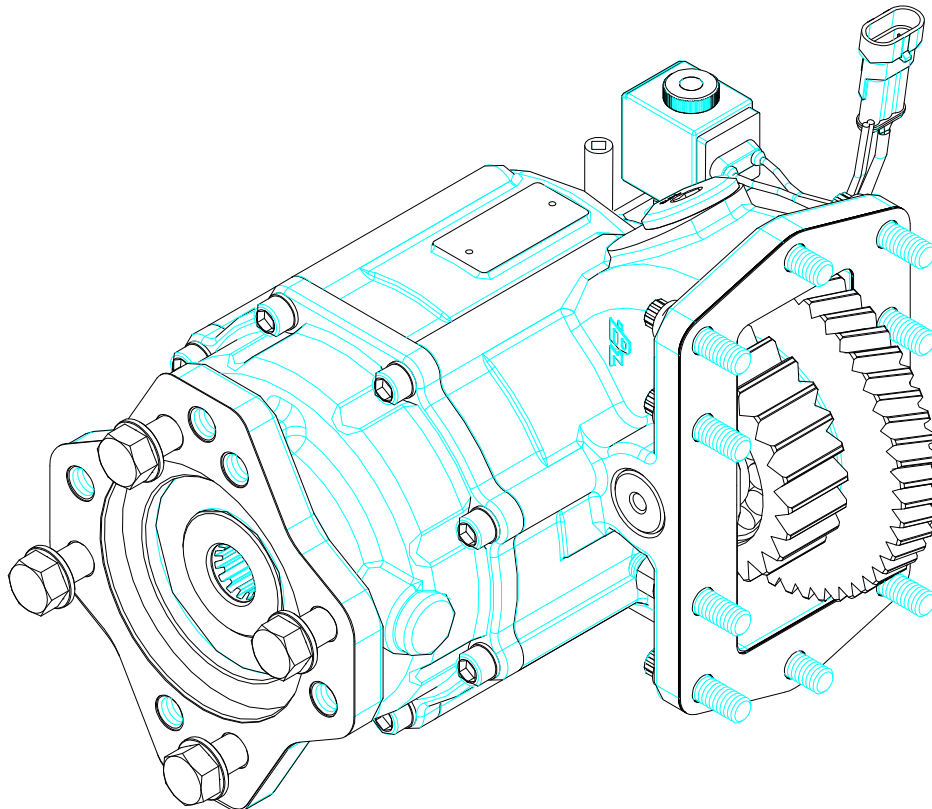
ITEM	QT.	DESCRIPTION	DIMENS.	PART NUMBER	BZ USA P/N
47	1	Gasket 10 bolt		108010200	GA200
48	2	Guide PTO Allison	M10x1.5	111010014	GD014
49	1	Conical bearing	Table 1.	Table 1.	
50	1	O-ring	29x3	107100096	OR045
51	1	Plug	M30x1.5	208020731	PL731
52	1	Collar	20 x 26 x 4.8	105090001	BU001
53	1	Coil 12 V. for electromagnet		9053590/1	C590HD

TABLE 1. CONICAL BEARING

RATIO	BEARING PART NUMBER	DIMENSION BEARING	ITEM	ADJUSTING WASHER _(ITEM 50)
B	113300026	25X62X25,25 (32305)	49	Ø52 X0,3 103010052
	113300027	25X52X22 (33205)	44	
C	113300026	25X62X25,25 (32305)	49	Ø52 X0,3 103010052
	113300027	25X52X22 (33205)	44	
E	113300026	25X62X25,25 (32305)	49	Ø62 X0,3 103010034
	113300026	25X62X25,25 (32305)	44	
G	113300026	25X62X25,25 (32305)	49	Ø62 X0,3 103010034
	113300026	25X62X25,25 (32305)	44	
J	113300026	25X62X25,25 (32305)	49	Ø62 X0,3 103010034
	113300026	25X62X25,25 (32305)	44	
M	113300026	25X62X25,25 (32305)	49	Ø62 X0,3 103010034
	113300026	25X62X25,25 (32305)	44	
O	113300026	25X62X25,25 (32305)	49	Ø62 X0,3 103010034
	113300026	25X62X25,25 (32305)	44	

TABLE 2 PTO RATIO GEAR SET

PTO	RATIO	PART NUMBER	INPUT GEAR	Z		OUTPUT GEAR	Z
				SM. CLUSTER	LG. CLUSTER		
ALLISON 10 BOLT 3131RP series	RATIO "B": 50%	806234	G/109	19	49	G/110	38
	RATIO "C": 58 %	806334	G/111	21	49	G/112	36
	RATIO "E": 68 %	806434	G/104	23	49	G/105	34
	RATIO "G": 78 %	806534	G/122	25	49	G/123	32
	RATIO "J": 84 %	806634	G/124	26	49	G/125	31
	RATIO "M": 97 %	806734	G/118	28	49	G/119	29
	RATIO "O": 119 %	806834	G/126	31	49	G/127	26



PTO 3131RP SERIES

**REAR PUMP SUPPORT BRACKETS PTO 3131RP
(WITHOUT LUBRICATION KIT AND WITHOUT RETARDER)**

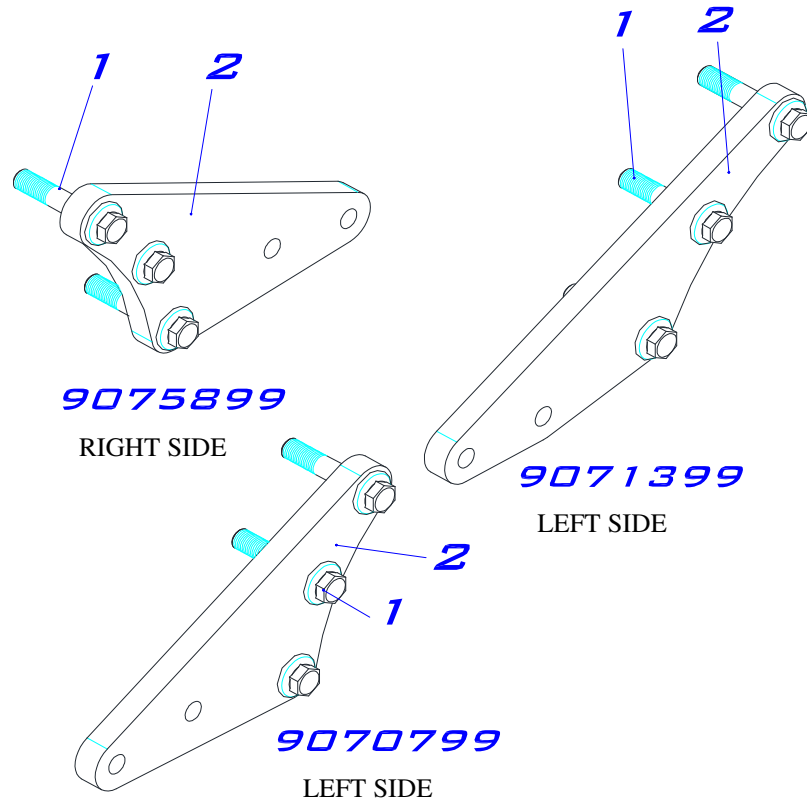


TABLE 1. REAR PUMPS SUPPORT BRACKETS PART NUMBER.

REAR PUMPS ADAPTERS	PART NUMBER
3000 (MH/RDS/TRV)	9075899
4000 (EVS/MH/RDS/TRV) 4500 (EVS/RDS)	9071399
3000 (MH/RDS/TRV)	9070799

TABLE 2. REAR PUMPS SUPPORT BRACKETS PART LIST.

ITEM	QT	DESCRIPTION	TO	TO	TO
			9075899	9071399	9070799
			CODE	CODE	CODE
1	3	SCREW DIN 6921 10.9	116080014 (M12x60)	116080014 (M12x60)	116080014 (M12x60)
2	1	SUPPORT BRACKET	209102521	209102361	209102301

**REAR PUMP SUPPORT BRACKETS PTO3131RP
(WITHOUT LUBRICATION KIT AND WITH RETARDER)**

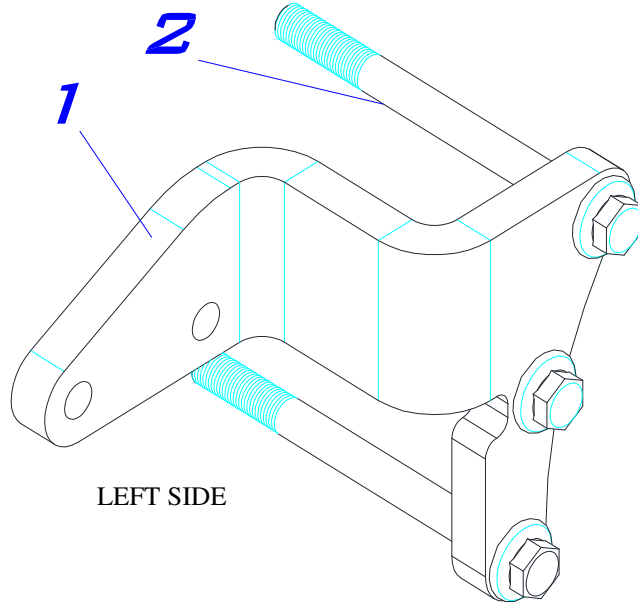


TABLE 1. REAR PUMPS SUPPORT BRACKETS PART NUMBER.

REAR PUMPS ADAPTERS	PART NUMBER
3000 (MH/RDS/TRV) +RETARDER	9076399

TABLE 2. REAR PUMPS SUPPORT BRACKETS PART LIST.

ITEM	QT	DESCRIPTION	CODE
1	1	SUPPORT BRACKET	209102571
2	3	SCREW DIN 6921 10.9	116080017 (M12x140)

**REAR PUMP SUPPORT BRACKETS PTO 3131RP
(WITH LUBRICATION KIT AND WITHOUT RETARDER)**

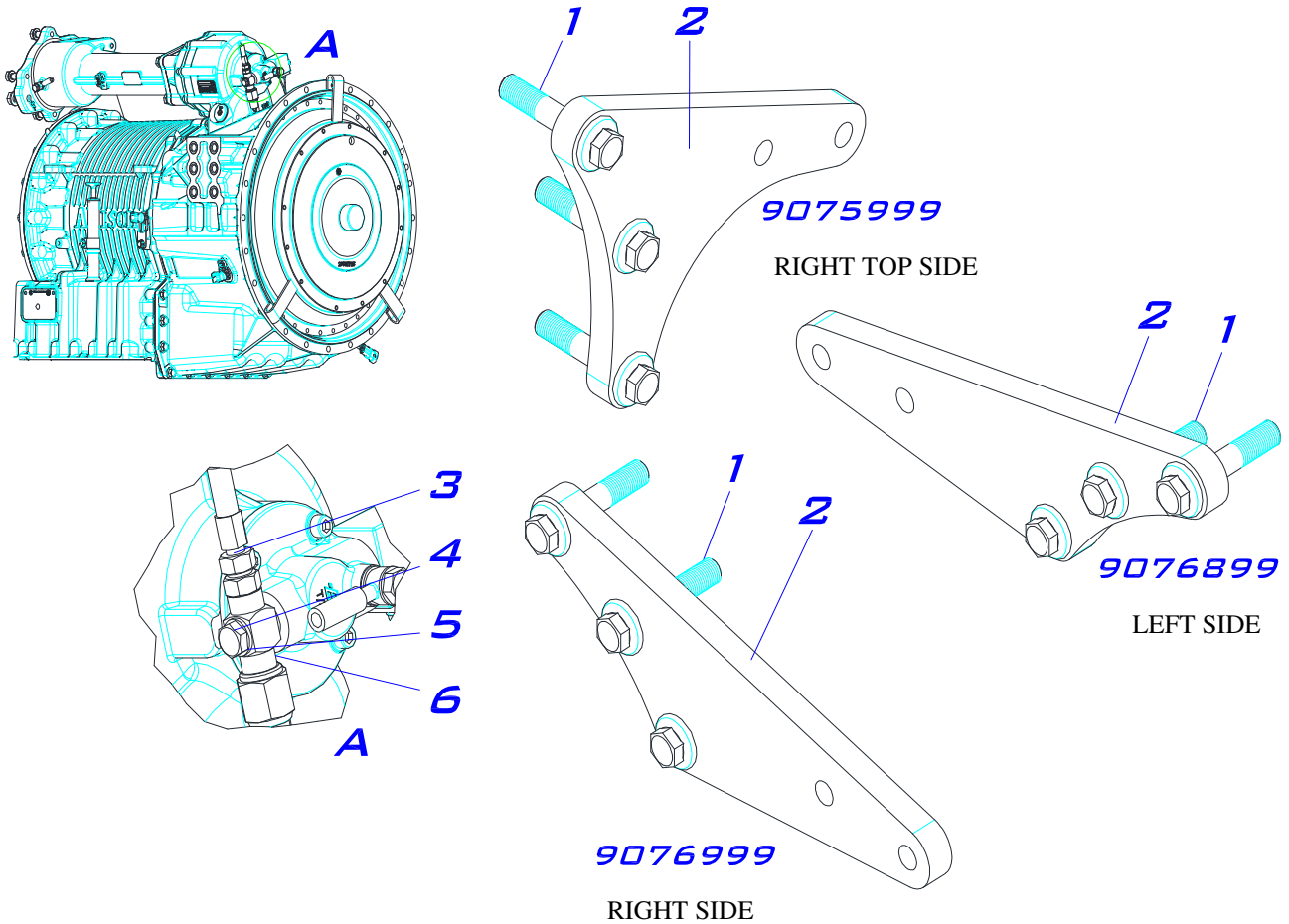


TABLE 1. REAR PUMPS SUPPORT BRACKETS PART NUMBER.

REAR PUMPS ADAPTERS	PART NUMBER
3000 (MH/RDS/TRV)	9076899
3000 (MH/RDS/TRV)	9076999
4000 (EVS/MH/RDS/TRV) 4500 (EVS/RDS)	9075999

TABLE 2. REAR PUMPS SUPPORT BRACKETS PART LIST. (PTO 3131RP)

ITEM	QT	DESCRIPTION	TO 9076899	TO 9076999	TO 9075999
			CODE	CODE	CODE
1	3	SCREW DIN 6921 10.9	116080014 (M12x60)	116080014 (M12x60)	116080014 (M12x60)
2	1	SUPPORT BRACKET	209102541	209102351	209102561
3	1	LUBRICATION KIT	9019199 (1000mm)	9019199 (1000mm)	9019199 (1000mm)
4	1	SCREW CONNECTOR	200107171 (1/8 BSP)	200107171 (1/8 BSP)	200107171 (1/8 BSP)
5	2	METALOPLASTIC WASHER	102090015 (1/8 BSP)	102090015 (1/8 BSP)	102090015 (1/8 BSP)
6	1	"T" CONNECTOR	200101561	200101561	200101561

**REAR PUMP SUPPORT BRACKETS PTO 3131RP
(WITH LUBRICATION KIT AND WITH RETARDER)**

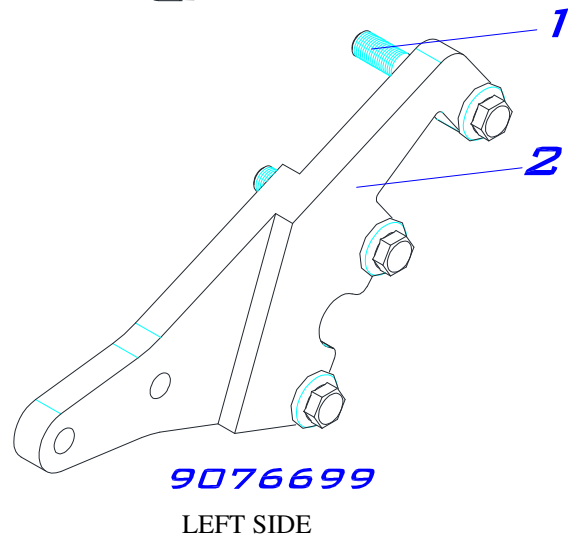
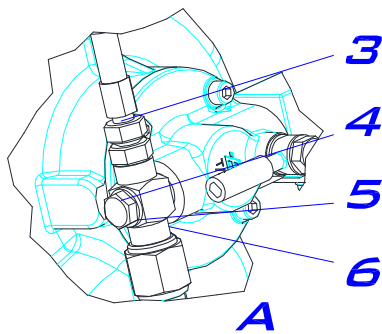
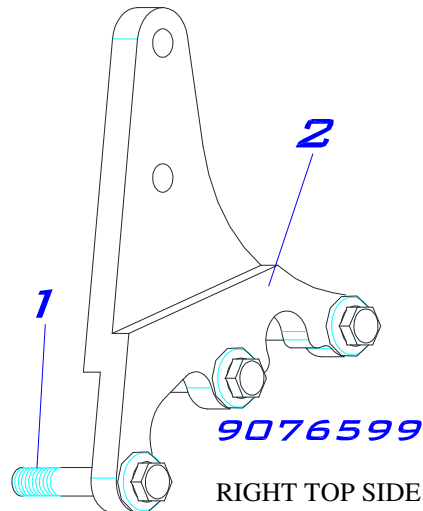
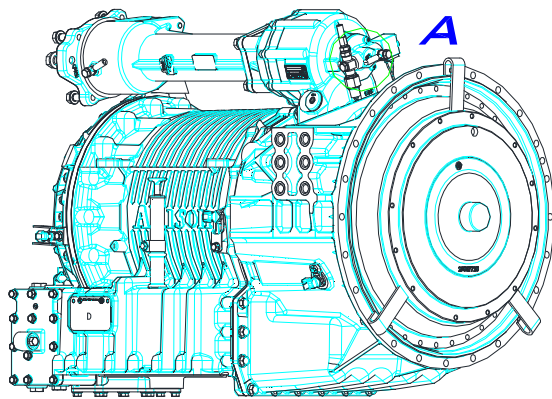


TABLE 1. REAR PUMPS SUPPORT BRACKETS PART NUMBER.

REAR PUMPS ADAPTERS	PART NUMBER
4000 (EVS/MH/RDS/TRV) 4500 (EVS/RDS)+RETARDER	9076699
4000 (EVS/MH/RDS/TRV) 4500 (EVS/RDS)+RETARDER	9076599

TABLE 2. REAR PUMPS SUPPORT BRACKETS PART LIST. (PTO 3131RP)

ITEM	QT	DESCRIPTION	TO 9076699	TO 9076599
			CODE	CODE
1	3	SCREW DIN 6921 10.9	116080016 (M12x70)	116080016 (M12x70)
2	1	SUPPORT BRACKET	209102581	209102591
3	1	LUBRICATION KIT	9019199 (1000mm)	9019199 (1000mm)
4	1	SCREW CONNECTOR	200107171 (1/8 BSP)	200107171 (1/8 BSP)
5	2	METALOPLASTIC WASHER	102090015 (1/8 BSP)	102090015 (1/8 BSP)
6	1	"T" CONNECTOR	200101561	200101561