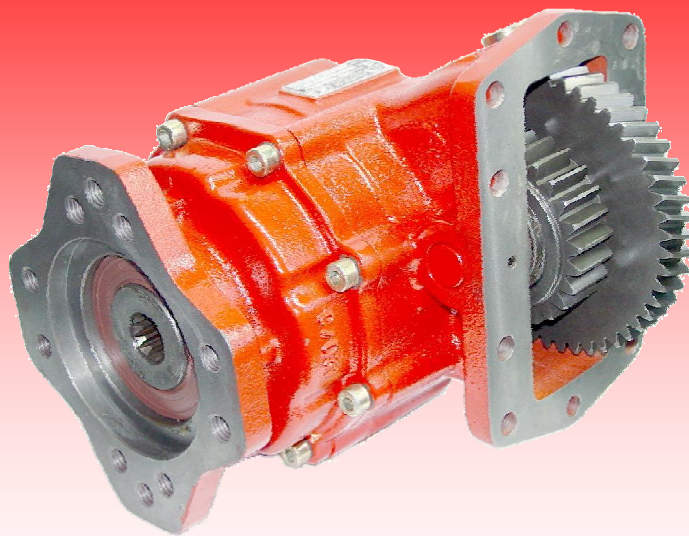




PTO 3100 SERIES

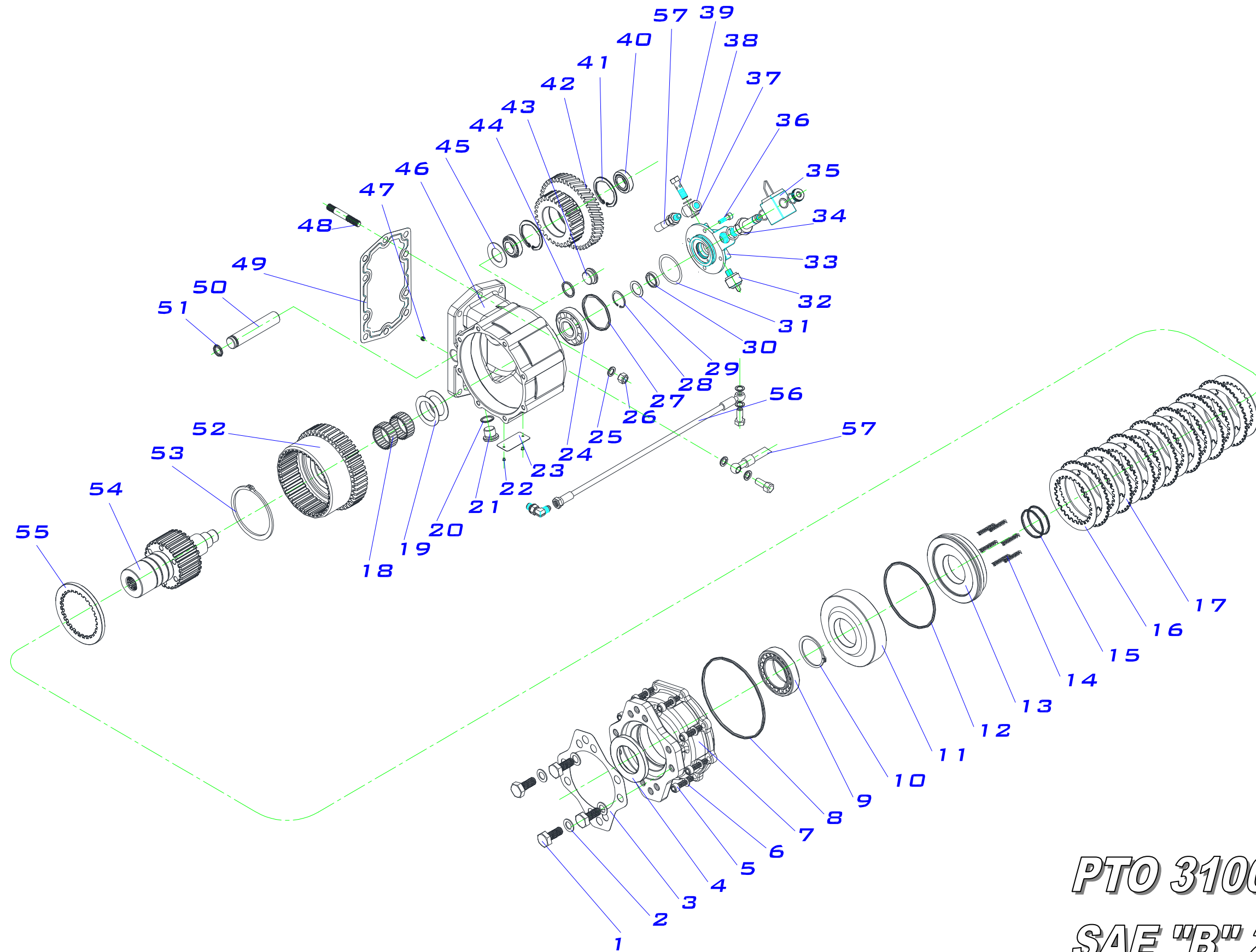
PART LIST



P
T
O

3
1
0
0

S
E
R
I
E
S



PTO 3100 SERIES
SAE "B" 2/4 BOLT
HYDRAULIC SHIFT



PTO 3100 Series SAE "B" 2/4 Bolt HYDRAULIC SHIFT

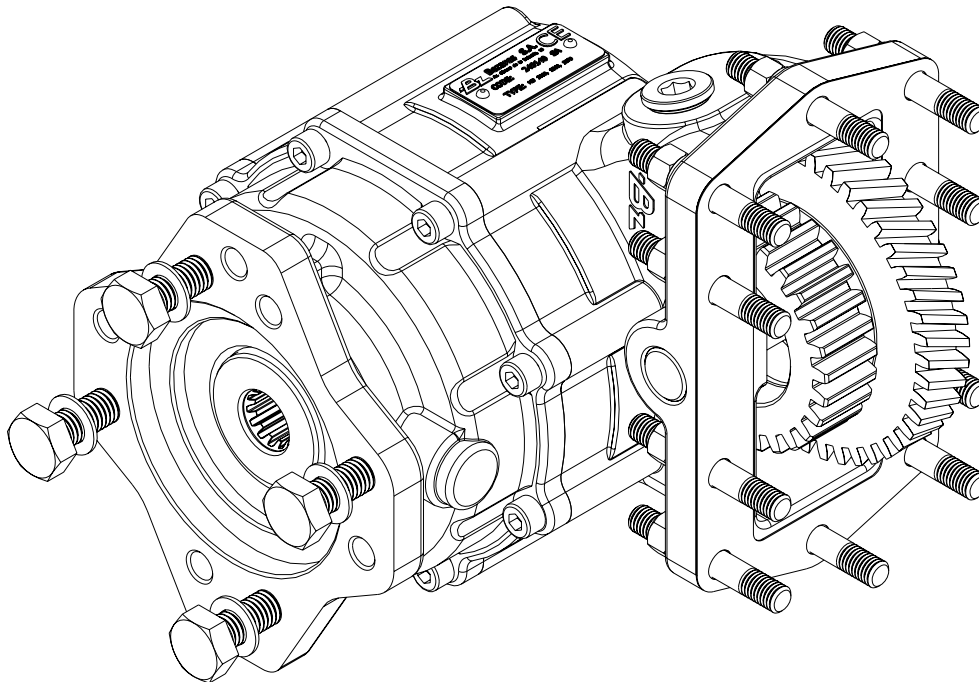
ITEM	QT.	DESCRIPTION	DIMENS.	CODE	BZ USA CODE
1	4	Screw DIN 931, hex head	1/2" 13h UNC x 32	116020025	CS025
2	4	Zincplated Washer DIN 125	Ø 13	102010005	WA025
3	1	Gasket		108010091	GA091
4	1	Oil seal (VITON)	50 x 80 x 8	112110007	SE011
5	8	Screw allen head DIN 912	M8 x 25	116010009	AS009
7	1	Housing flange, open end		202100311	FL311
8	1	O-ring (VITON)	134.5 x 3	107100054	OR054
9	1	Taper roller bearing 32010X	50 x 80 x 20	113300021	RB021
10	1	Snap ring DIN 471	Ø 50	101010009	SR009
11	1	Clutch back-up cylinder		202029182	
12	1	O-ring (VITON)	110 x 3	107100013	OR052
13	1	Piston		204010481	PI481
14	6	Spring		109010102	SPR102
15	2	O-ring (VITON)	46 x 2	107100014	OR057
16	8	Friction disc		100110001	FD001
17	7	Clutch plate		100110002	CP002
18	2	Needle bearing	35 x 42 x 18	113010015	RB015
19	2	Friction washer	35 x 52 x 1	114010002	WA002
21	1	Allen plug with O-ring	M18	118020055	
22	2	Rivet	2.4 x 4	100050003	RD003
23	1	Identification plate		126020002	
24	1	Taper roller bearing 30305A, cover	25 x 52 x 19.25	113300022	RB022
25	1	Washer DIN 125	10.5 x 16.8 x 2	102090010	WA010
26	1	Special nut hex. 14	M10-100	119010001	NU001
27	1	O-ring (VITON)	44 x 2.62	107100061	OR061
28	1	Snap ring DIN 472	Ø 28	101020028	SR028
29	2	Fitting washer DIN 988	20 x 28 x 1	103010021	WA021
30	1	Collar	20 x 26 x 4.8	105090001	BU001
31	*	Fitting washer DIN 988 (As adjusting)	42 x 52 x 0.1	103010027	WA027
32	1	Hydraulic pressure switch on	1/8" BSP	9059999	
33	1	Cover hydraulic Allison 3100 series		208012081	HA081
34	1	Cartridge 20L		9049490	CO490
35	1	Coil 12 V.		9053590/1	
36	4	Screw DIN 912 8.8, allen head	M6 x 20	116010122	AS112
37	2	Aluminium washer	Ø10x14	102050007	WA007
38	1	T connector body	M10x1	200101561	FI561
39	1	Screw for "T" connector body	M10x1	200101571	FI571
40	2	Taper roller bearing 32304A, idler shaft	20 x 52 x 22.5	113300023	RB023
41	2	Snap ring DIN 472	Ø 52	101020007	SR007
42	1	Input gear		Table 1	TABLE 1
43	1	Shaft plug		118020021	PL021
44	1	Aluminium washer	Ø 22	102050003	WA003
45	1	Fitting washer AS.	20x35	114010008	WA008
46A	1	Housing 10 bolt (Position 1)		202114471	HS3100-1
46B	1	Housing 10 bolt (Position 3)		202018912	HS3100-3
47	1	Set screw	M6 x 10	117010006	SS006
48	1	Stud DIN 833 L=50 mm.	M10 – 100 / 150	117020055	ST055

PTO 3100 series SAE "B" 2/4 Bolt HYDRAULIC SHIFT

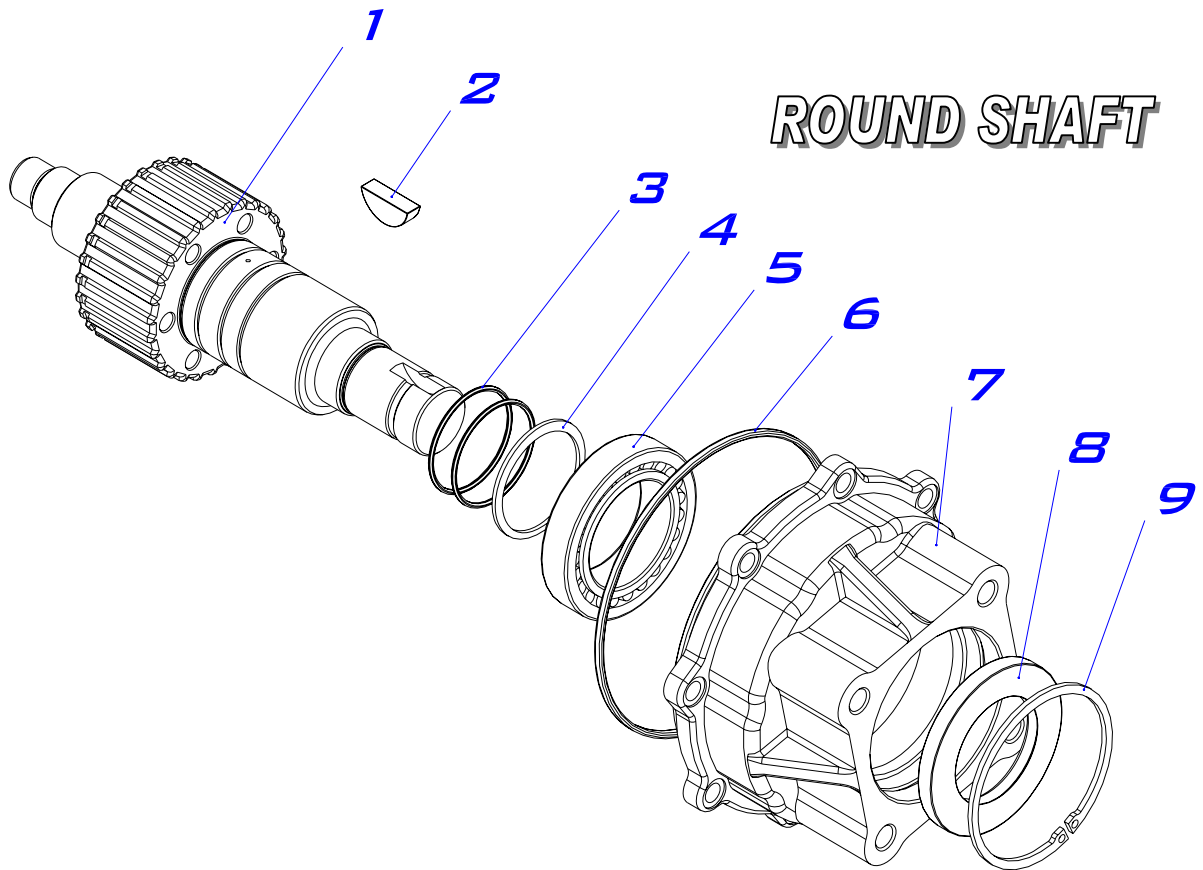
ITEM	QT.	DESCRIPTION	DIMENS.	CODE	BZ USA CODE
49	1	Gasket		108010200	
50	1	Idler shaft, pin		203043391	IP391
51	1	O-ring (VITON)	15 x 2.5	107100030	OR022
52	1	Output gear		Table 1	TABLE 1
53	1	Snap ring DIN 471	Ø 85	101010029	SR029
54	1	Splined shaft, Z=13		203023881	OS881
	1	Splined shaft, Z=15		203024861	OS861X
55	1	Toothed washer		209019201	WA201
56	1	Pressure lube hose, MD / HD series		900899	PLH899
57	1	Lubrication kit Allison 3100 series		9018699	PLH699
58	7	Torx Screw 10.9	M10x1.5	116080015	CS015
59	2	Guide PTO Allison	M10x1.5	111010014	GD014

TABLE 1 PTO RATIO GEAR SET

PTO	RATIO	INPUT GEAR	Z		OUTPUT GEAR	Z
			SM. CLUSTER	LG. CLUSTER		
ALLISON 10 BOLT 3100 series	RATIO "B": 52 %	R/772	23	49	R/773	44
	RATIO "C": 60 %	R/774	25	49	R/775	42
	RATIO "E": 68 %	R/776	27	49	R/777	40
	RATIO "G": 81 %	R/810	30	49	R/811	37
	RATIO "J": 86 %	R/800	31	49	R/801	36
	RATIO "M": 97 %	R/778	33	49	R/779	34
	RATIO "O": 118 %	R/802	36	49	R/803	31



PTO 3100 SERIES

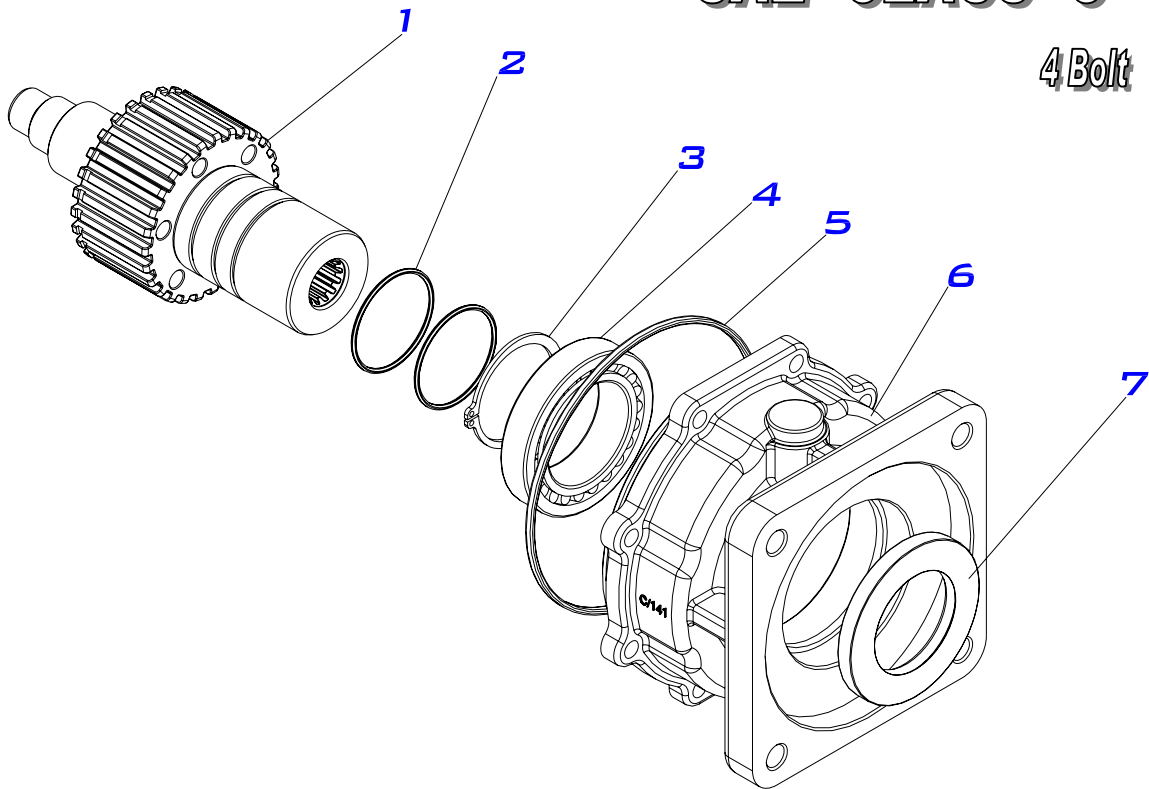


PTO 3100 SERIES

ITEM	QT.	DESCRIPTION	DIMENS.	CODE	BZ USA Part #
1	1	Output shaft 1-1/4", round shaft mount		203014181	OS181
2	1	Woodruff key	1 1/8" x 5/16"	106040002	WK002
3	2	O-ring (VITON)	46x2	107100014	OR057
4	1	Snap ring DIN 471	Ø50	101010009	SR009
5	1	Conical bearing 32010 X		113300021	RB021
6	1	O-ring	134.5x3	107010112	OR112
7	1	Housing flange, open end		202029131	FL131
8	1	Seal oil (VITON)	50x80x8	112110007	SE011
9	1	Snap ring DIN 472	Ø80	101020015	SR015

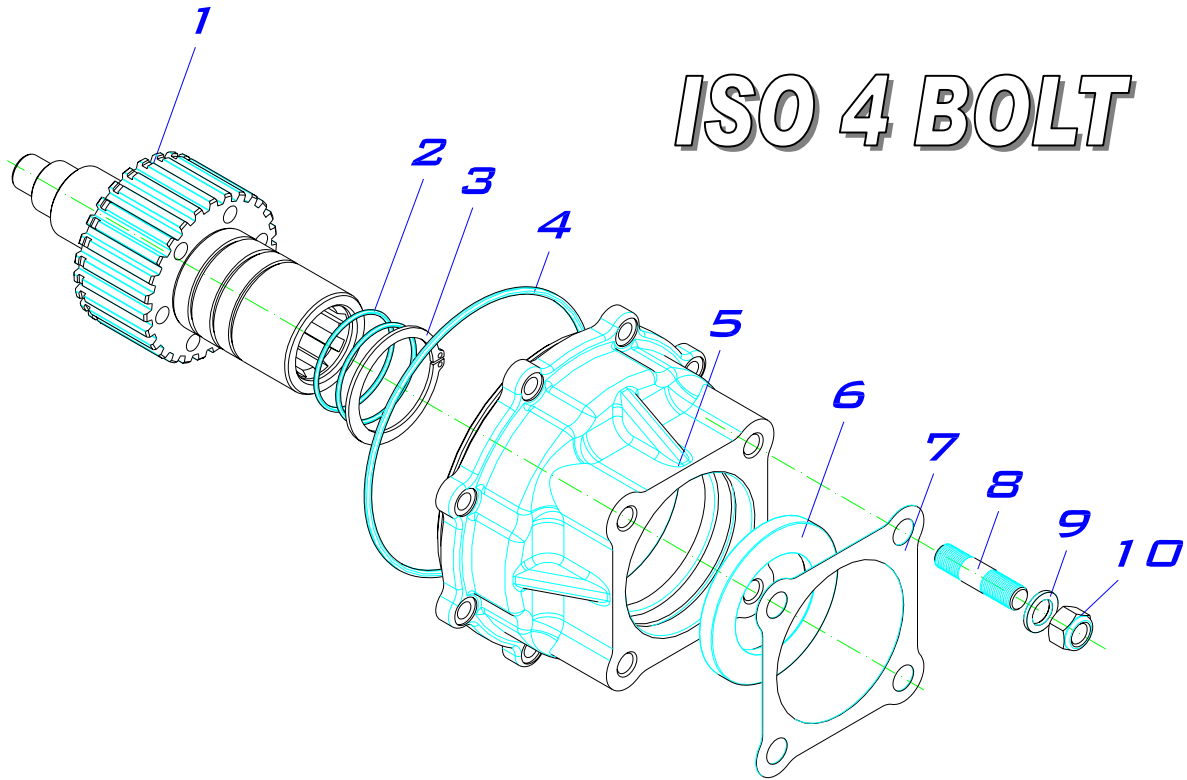
SAE CLASS "C"

4 Bolt



PTO 3100 SERIES

ITEM	QT.	DESCRIPTION	DIMENS.	CODE	BZ USA Part #
1	1	Splined shaft z=14		203024641	OS641
2	2	O-ring (VITON)	46x2	107100014	OR057
3	1	Snap ring DIN 471	Ø50	101010009	SR009
4	1	Conical bearing 32010 X		113300021	RB021
5	1	O-ring	134.5x3	107010112	OR112
6	1	Housing flange, SAE CLASS "C"		202111411	FL411
7	1	Oil seal (Viton)	50x80x8	112110007	SE011

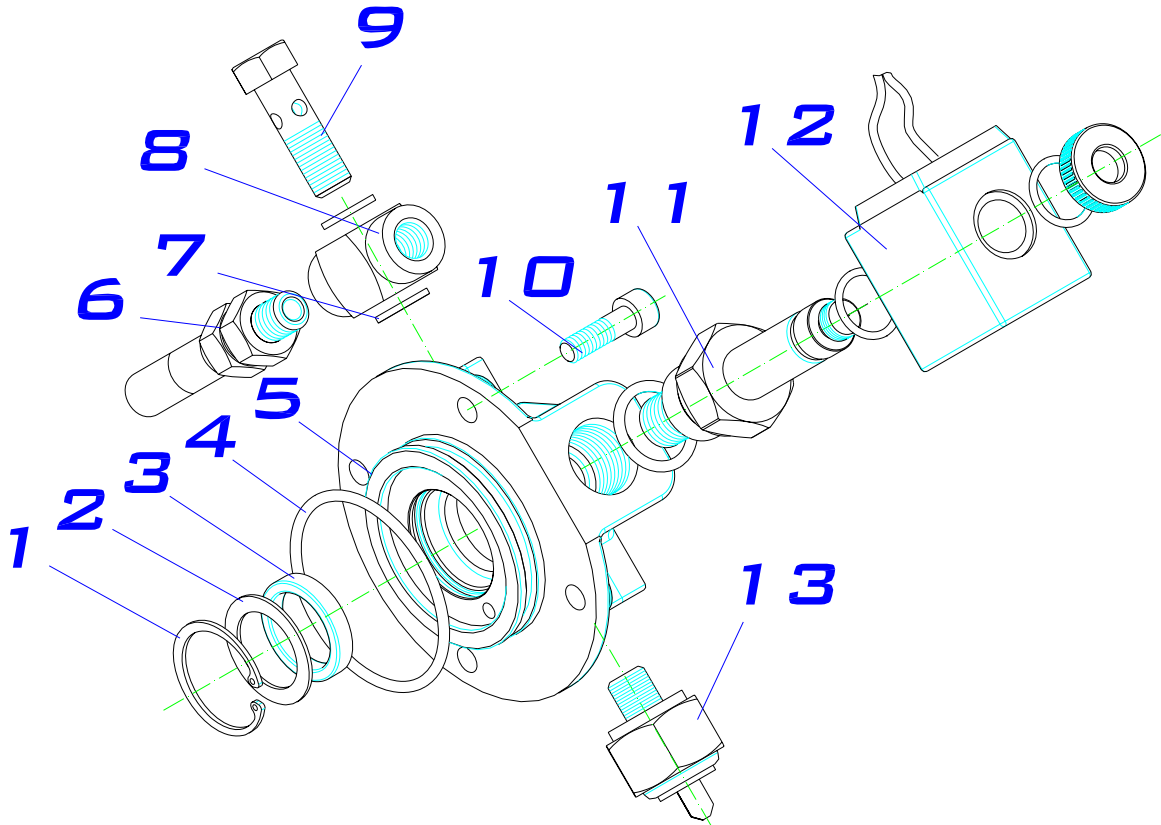


PTO 3100 SERIES

DESCRIPTION	CODE	PTO 3100 SERIES ISO 4 BOLT
CONVERSION KIT TO ISO 4 BOLT	801235	

ITEM	QT.	DESCRIPTION	DIMENS.	CODE	BZ USA Part #
1	1	Output shaft		203023381	OS381
2	2	O-ring (VITON)	46x2	107100014	OR057
3	1	Snap ring DIN 471	Ø50	101010009	SR009
4	1	O-ring	134.5x3	107010112	OR112
5	1	Housing flange, open end		202029131	FL131
6	1	Oil seal (Viton)	50x80x8	112110007	SE011
7	1	Gasket		108010038	GA4015EC
8	4	Stud DIN 833	M12x40	117020026	ST026
9	4	Washer DIN 125	12.5x20x2	102090009	WA009
10	4	Nut DIN 934	M12	119020003	NU003

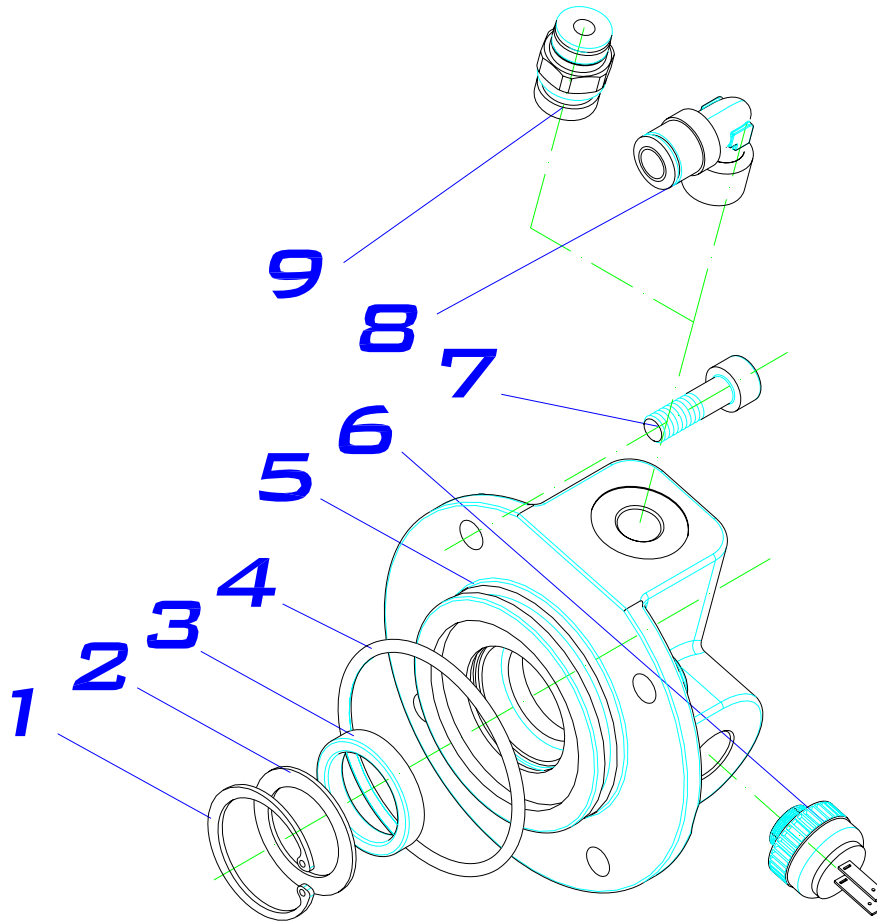
HYDRAULIC SHIFTING KIT. (9014099)



PTO 3100 SERIES

ITEM	QT.	DESCRIPTION	DIMENS.	CODE	BZ USA Part #
1	1	Circlip DIN 472.	Ø28	101020028	SR028
2	1	Washer PS.	20x28x1	103010021	WA021
3	1	Pneumatic collar (VITON).	20x26x4.8	105090001	BU001
4	1	O-ring . (NBR 70).	44x2.62	107010070	OR070
5	1	Cover hydraulic Allison MD.		208012081	HA081
6	1	Lubrication kit Allison MD 3060.		9018699	PLH699
7	2	Aluminium washer	10x14	102050007	WA007
8	1	T connector body.	M10x1	200101561	FI561
9	1	Screw for "T" connector.	M10x1	200101571	FI571
10	4	Screw DIN 912 8.8 .		116010122	AS122
11	1	Cartridge 20L.		9049490	CO490
12	1	Coil for electrovalve 12v .DC		9049590	CO590
13	1	Hydraulic pressure swcht on.	1/8" BSP	900999	SW999

PNEUMATICAL SHIFTING KIT. (909599).



PTO 3100 SERIES

ITEM	QT.	DESCRIPTION	DIMENS.	CODE	BZ USA Part #
1	1	Circlip DIN 472.	Ø28	101020028	SR028
2	1	Washer PS.	20x28x1	103010021	WA021
3	1	Pneumatic collar (VITON).	20x26x4.8	105090001	BU001
4	1	O-ring . (NBR 70).	44x2.62	107010070	OR070
5	1	Cover pneumatic Allison MD.		208012261	EC542
6	1	Pressure swicht on.		9015399	SW999A
7	4	Screw DIN 912 8.8 .		116010122	AS122
8	1	Suction pipe, elbow 90°	¼ BSP	9028216	FI216-E
9	1	Straight connector.	¼ BSP	9028116	FI216-S

PTO 3100 / 3250 USA CODING

3100 **X** **B** **N** **63** **3** **RA**

SERIES:
 3100.- Allison 10 bolts
 3150.- Allison 10 bolts, Constant Mesh
 3250 - Allison 10 h. reduced housing

VERSIONS:
 X.- STANDARD.
 P.- GREASEABLE IDLER SHAFT.

RATIO:

3100 SERIES						
B	C	E	G	J	M	O
52%	60%	68%	81%	86%	97%	118%

3250 SERIES				
B	C	E	J	M
(55%)	(63%)	(73%)	(84%)	(110%)

SHIFTING:
 N = AIR.
 E = ELECTRIC 12V. OVER HIDRAULIC.
 F = ELECTRIC 24V. OVER HIDRAULIC.
 M = CONSTANT MESH (*)
 *.- LA SERIE 3100 TOMA CONSTANTE SE DENOMINA SERIE 3150
 PTO 3100 SERIES CONSTANT MESH WAS NAMFD 3150 SERIES

INPUT GEAR:
 63 = ALLISON 3100 / 3250 SERIES

OUTPUT TYPE:
IA = ISO 4 BOLT
FA = FLANGE SAE 1100
FB = FLANGE SAE 1300
FC = FLANGE SAE 1400
FD = FLANGE DIN 100
RA= SAE "B" 2/4 BOLT 13T. ROTATABLE
RJ= SAE C. 4 BOLT (ONLY 3100/3150 SERIES)
SE= SAE TYPE 1 ¼" ROUND SHAFT.
SG= SAE TYPE 1 ½" ROUND SHAFT.

ASSEMBLY ARRANGEMENTS:

1.- RIGHT, FORWARD
 3.- LEFT, FORWARD

POS.	3100	3250
1		●
3	●	●

