

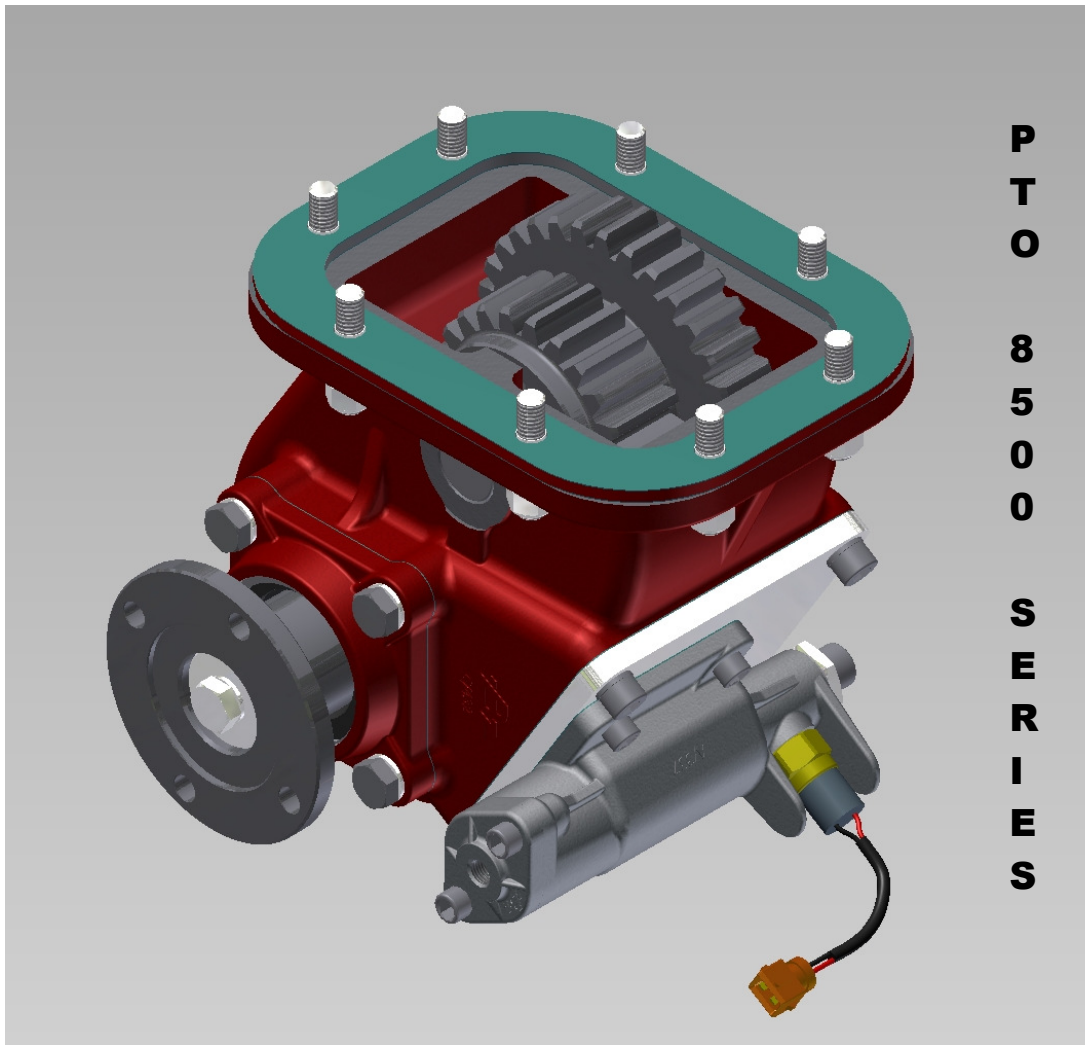
BZ

bezaresusa

PTO 8500

SERIES

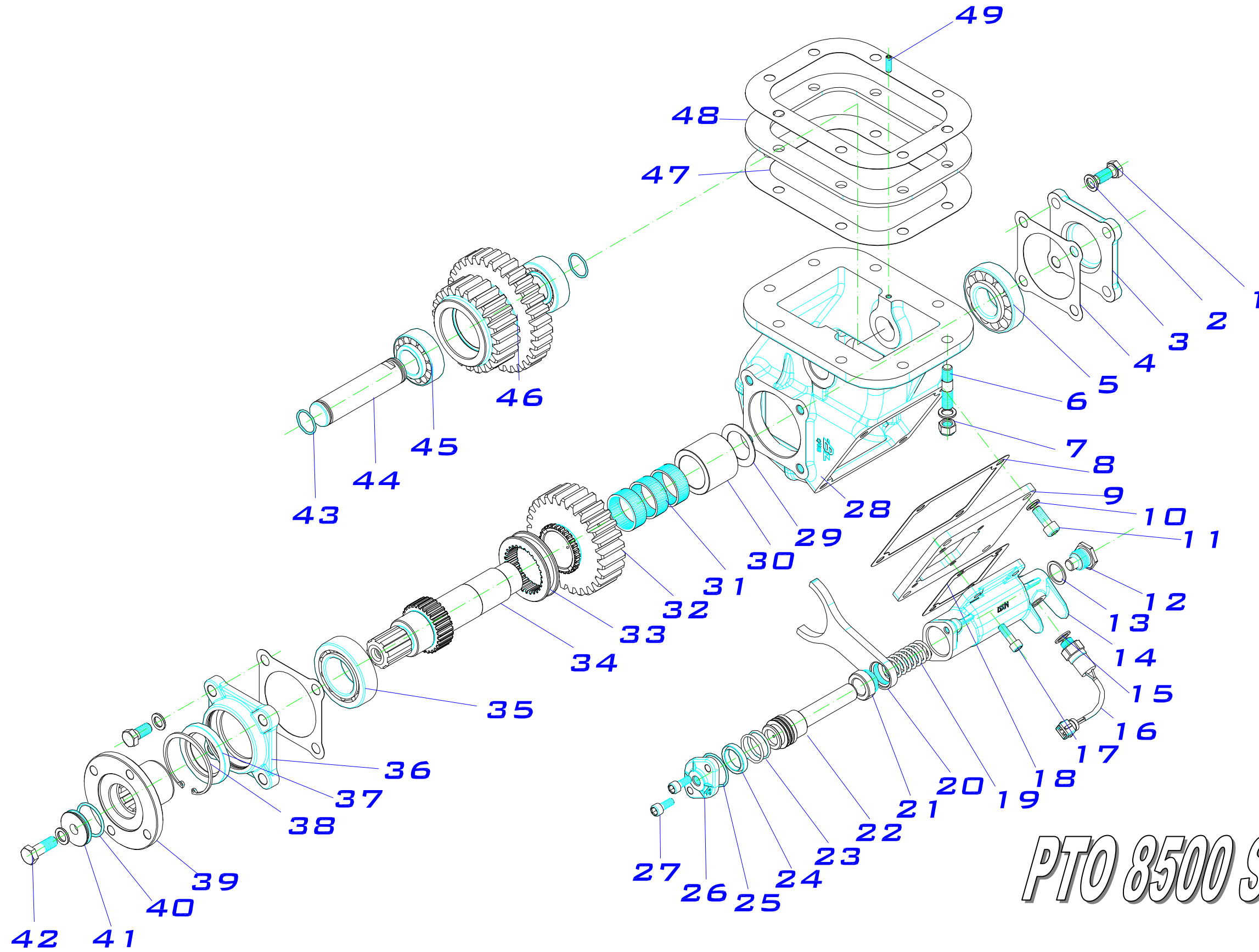
PART LIST



**P
T
O

8
5
0
0

S
E
R
I
E
S**



PTO 8500 SERIES

PTO 8500 Series.

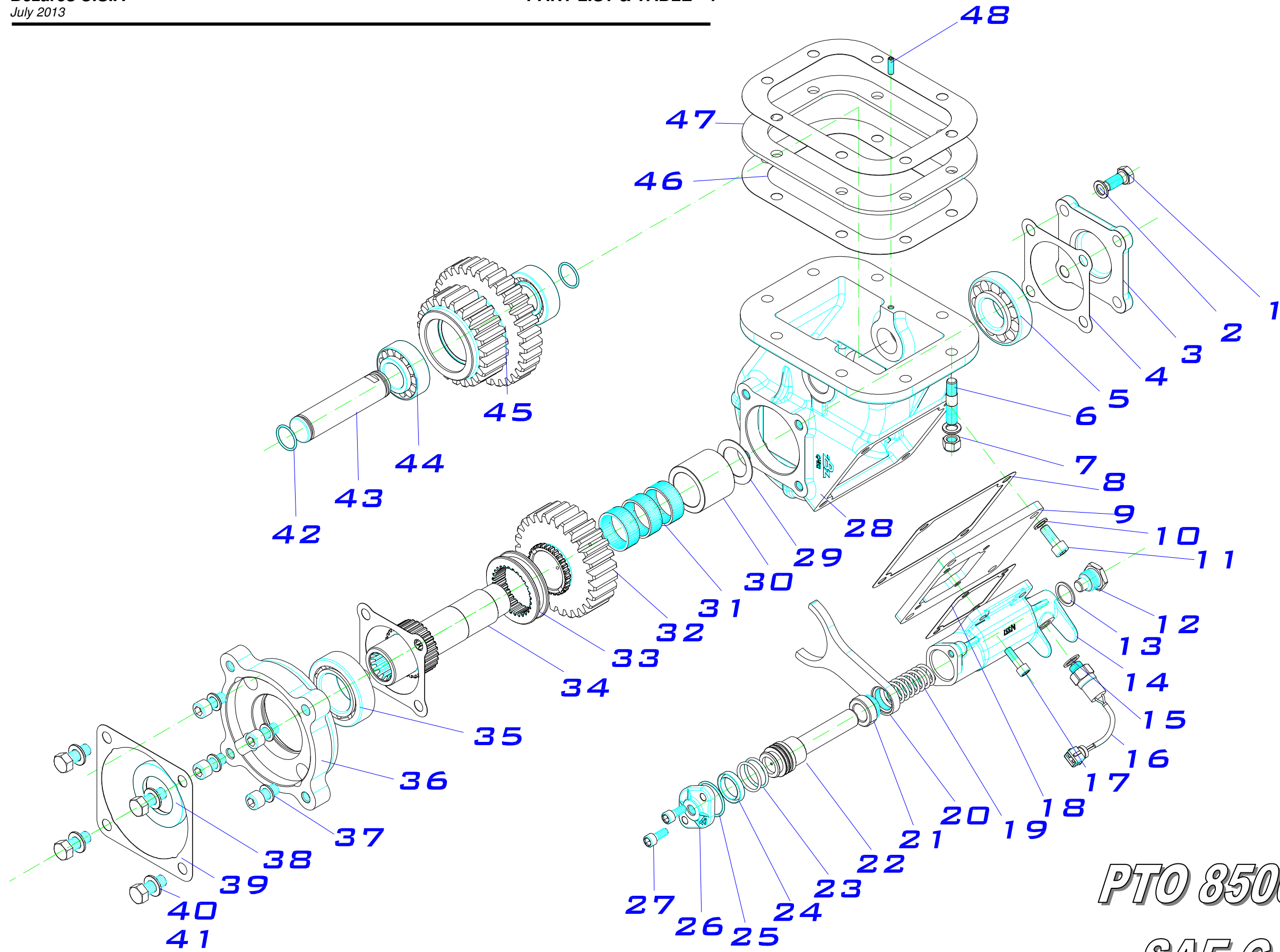
ITEM	QT.	DESCRIPTION	DIMENS.	CODE	BZ USA CODE
1	8	Screw DIN 933 8.8 sealed.	M12x25	116030011	CS009
2	17	Washer DIN125	12.5x19.8x2	102090009	WA009
3	1	Blank cover		208010711	EC711
4	2	Gasket ISO 4 BOLT	M12	108010038	GA4015EC
5	1	Taper roller bearing 30307	35x80x22.75	113300004	RB004
6	8	Stud	M12-1.75X25-7/16"X17	117020084	ST084
7	8	Self locking nut DIN 985	M12	119020003	NU003
8	1	Cover gasket		108010183	GA183
9	1	Piston spacer		209102031	PLT031
10	4	Washer DIN 125	10.5x16.8x2	102090010	WA10
11	4	Screw	M10x25	116010111	AS111
12	1	Switch plug		208023051	PL051
13	1	Aluminium washer	22x28x1.5	102050003	WA003
14	1	Pneumatic shifter housing		202023371	SH371
15	1	Copper washer.	14x20	102060016	WA016
16	1	Switch N.4001302		100070012	SW012
17	4	Screw DIN 912 8.8	M8x25	116010009	AS009
18	1	Gasket		108010022	GA4015SC
19	1	Spring		109010018	SP018
20	1	Fork		205010571	FK571
21	1	Fork Spacer		200013985	FS985
22	1	Pneumatic piston		204010811	PS811
23	2	O-ring (VITON)	29x3	107100096	OR045
24	1	Pneumatic collar		105010017	BU009
25	1	O-ring (VITON)	36,17x2,62	107100004	OR004
26	1	Piston cover		208010701	PC701
27	2	Screw DIN 912 8.8	M8X20	116010008	AS008
28	1	Housing		202114321	HS8500
29	1	Axial disc AS 3552		114010002	WA114
30	1	Spacer Bush		209112051	SB051
31	3	Bearing K	40x45x17	113010025	RB125
32	1	Bottom gear		Table 1.	
33	1	Synchronized		207010341	SYNC
34	1	Shaft		203026981	OS981
35	1	Taper roller bearing 32208A		113300011	RB208
36	1	Seal carrier cover		208010662	OC662X
37	1	Seal BAF UD3 (VITON)	50x72x10	112100027	SE018
38	1	Circlip DIN 472		101020013	SR013
39	1	Plate SAE 1400		206011271	FL615
40	1	O-ring	34,2x3	107010010	OR010
41	1	Washer		211021301	WA301
42	1	Screw	M12x35	116030038	CS038
43	2	O-ring	25.3x2.4	107100051	OR074
44	1	Pin shaft		203045041	IP041
45	2	Taper roller bearing 33206		113300014	RB013

PTO 8500 Series.

ITEM	QT.	DESCRIPTION	DIMENS.	CODE	BZ USA CODE
46	1	Upper gear		Table 1.	
47	*	Gasket	Spe = 0.3mm	108010099	GA8010
	*	Gasket	Spe = 0.5mm	108010003	GA8020
	*	Gasket	Spe = 1mm	108010100	GA8032
48	1	Adapter flange		202028082	AF082
49	1	Stud DIN 913	M6x20	117010012	ST012

TABLE 1 PTO RATIO GEAR SET

RATIO	UPPER GEAR	BOTTOM GEAR
RATIO "B": 61 %	G/052	G/053
RATIO "C": 72 %	G/032	G/033
RATIO "E": 85 %	G/034	G/035
RATIO "J": 108 %	G/036	G/037
RATIO "O": 127 %	G/048	G/049
RATIO "R": 138 %	G/043	G/044
RATIO "S": 150 %	G/045	G/046
RATIO "T": 163%	G/050	G/051



PTO 8500 SERIES
SAE C 4 BOLT

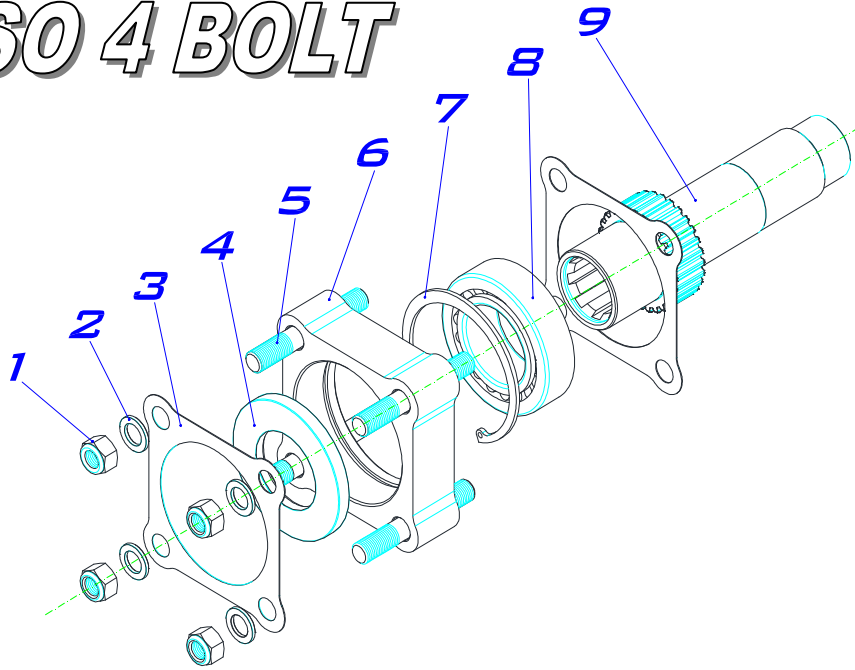
PTO 8500 Series SAE C 4 BOLT.

ITEM	QT.	DESCRIPTION	DIMENS.	CODE	BZ USA CODE
1	4	Screw DIN 933 8.8 sealed.	M12x25	116030011	CS009
2	16	Washer DIN125	12.5x19.8x2	102090009	WA009
3	1	Blank cover		208010711	EC711
4	2	Gasket ISO 4 BOLT	M12	108010038	GA4015EC
5	1	Taper roller bearing 30307	35x80x22.75	113300004	RB004
6	8	Stud	M12-1.75X25-7/16"X17	117020084	ST084
7	8	Self locking nut DIN 985	M12	119020003	NU003
8	1	Cover gasket		108010183	GA183
9	1	Piston spacer		209102031	PLT031
10	4	Washer DIN 125	10.5x16.8x2	102090010	WA010
11	4	Screw	M10x25	116010111	AS111
12	1	Switch plug		208023051	PL051
13	1	Aluminium washer	22x28x1.5	102050003	WA003
14	1	Pneumatic shifter housing		202023371	SH371
15	1	Copper washer.	14x20	102060016	WA016
16	1	Switch N.4001302		100070012	SW012
17	4	Screw DIN 912 8.8	M8x25	116010009	AS009
18	1	Gasket		108010022	GA4015SC
19	1	Spring		109010018	SP018
20	1	Fork		205010571	FK571
21	1	Fork Spacer		200013985	FS985
22	1	Pneumatic piston		204010811	PS811
23	2	O-ring (VITON)	29x3	107100096	OR045
24	1	Pneumatic collar		105010017	BU009
25	1	O-ring (VITON)	36,17x2,62	107100004	OR004
26	1	Piston cover		208010701	PC701
27	2	Screw DIN 912 8.8	M8X20	116010008	AS008
28	1	Housing		202114321	HS8500
29	1	Axial disc AS 3552		114010002	WA114
30	1	Spacer Bush		209112051	SB051
31	3	Bearing K	40x45x17	113010025	RB125
32	1	Bottom gear		Table 1.	
33	1	Synchronized		207010341	SYNC
34	1	Shaft		203026991	OS991
35	1	Taper roller bearing 33109		113300010	RB209
36	1	Flange SAE C 4 bolt		202124781	FL781
37	4	Screw DIN 912 12.9	M12x25	116010148	AS148
38	1	Seal BAF SL VITON	45x75x8	112090021	SE021
39	1	Gasket SAE C 4 bolt		108010129	GA129
40	4	Screw DIN 931 1/2" 13h UNC	L=32	116020025	AS025
41	4	Washer DIN 125		102010005	WA025
42	2	O-ring	25.3x2.4	107010074	OR074
43	1	Pin shaft		203045041	IP041
44	2	Taper roller bearing 33206		113300014	RB013

PTO 8500 Series SAE C 4 BOLT.

ITEM	QT.	DESCRIPTION	DIMENS.	CODE	BZ USA CODE
45	1	Upper gear		Table 1.	
46	*	Gasket	Spe = 0.3mm	108010099	GA8010
	*	Gasket	Spe = 0.5mm	108010003	GA8020
	*	Gasket	Spe = 1mm	108010100	GA8032
47	1	Adapter flange		202028082	AF082
48	1	Stud DIN 913	M6x20	117010012	ST012

ISO 4 BOLT



DESCRIPTION	PART NUMBER	PTO 8500 SERIES ISO 4 BOLT
CONVERSION KIT TO ISO 4 BOLT	805935	

PTO 8500 SERIES

ITEM	QT.	DESCRIPTION	DIMENS.	PART NUMBER	BZ USA P/N
1	4	Nut DIN 934	M12	119020003	NU003
2	4	Washer DIN 125	12.5x20x2	102090009	WA009
3	2	Gasket		108010038	GA4015EC
4	1	Oil seal (Viton)	45x80x8	112090026	SE026
5	4	Stud	M12	117020118	ST118
6	1	Flange		209102061	FL222
7	1	Snap ring DIN 472	Ø80	101020015	SR015
8	1	Tapered roller bearing 33109	45x80x26	113300010	RB209
9	1	Shaft		203026921	OS921