

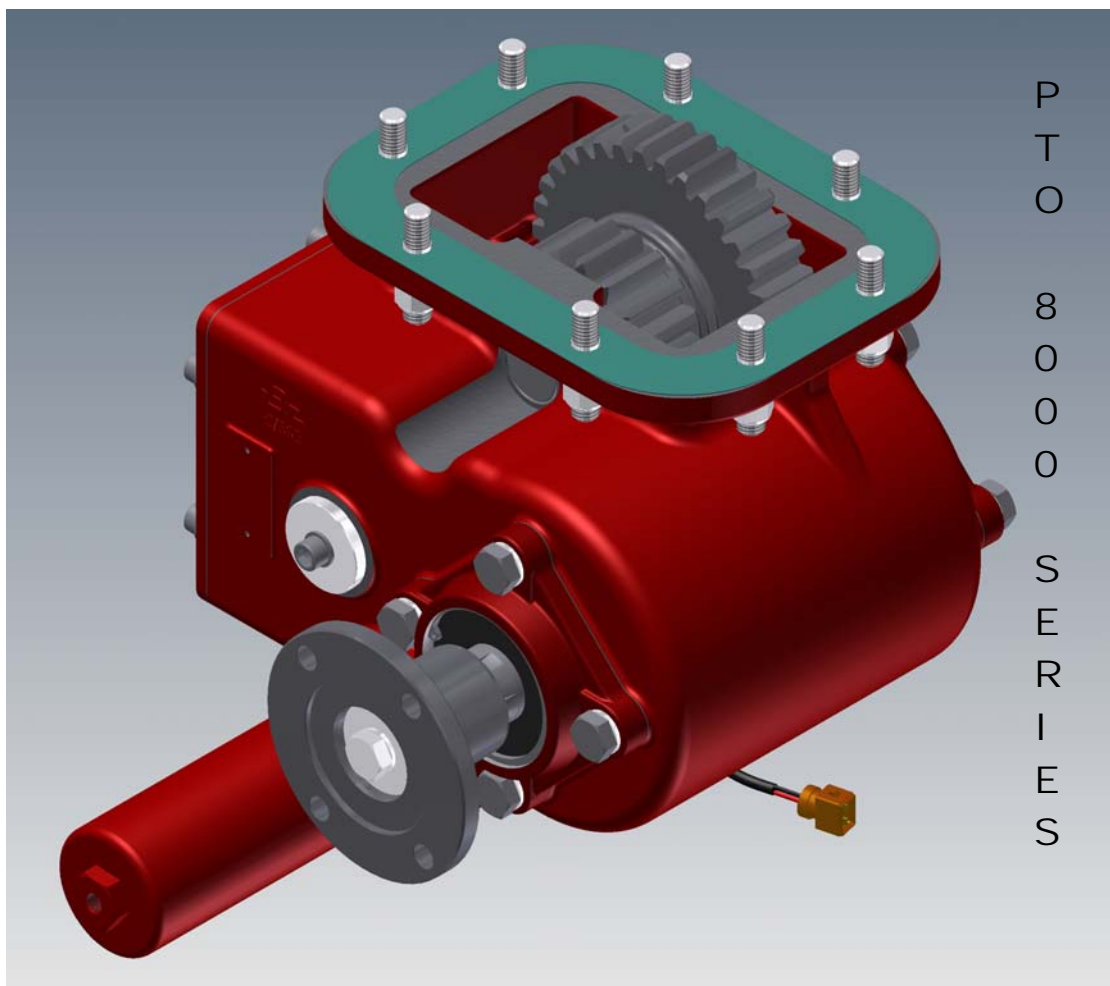
BZ

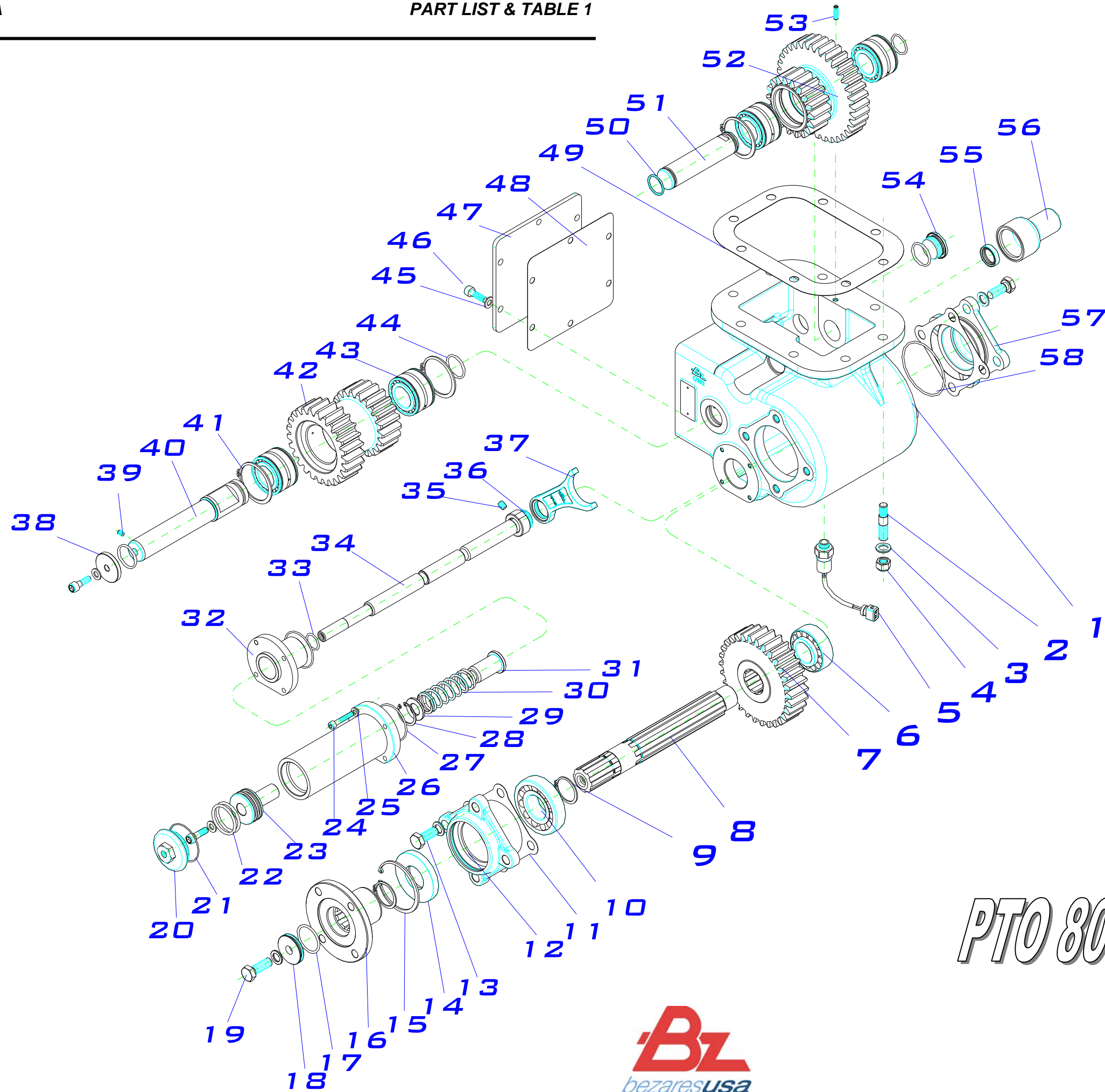
bezaresusa

PTO 8000

SERIES

PART LIST





PTO 8000 SERIES

Sep. 2016

PTO 8000 Series.

ITEM	QT.	DESCRIPTION	DIMENS.	CODE	BZ USA CODE
1	1	Housing		202113921	HS8000
2	8	Stud L: 55.	M12x25-7/16"x17	117020084	ST084
3	17	Washer DIN125	12,5x19,8x2	102090009	WA009
4	8	Nut DIN 985	M12	119020003	NU003
5	1	Switch 40012	9/16" UNF	100070012	SW012
6	1	Conical bearing	30x62x25	113300014	RB013
7	1	Gear		201110111	G/011
8	1	Output shaft		203026751	OS751
9	2	Snap ring (DIN 471)	0 35	101010046	SR046
10	1	Conical bearing 30307	35x80x22.75	113300004	RB004
11	2	Gasket		108010038	GA4015EC
12	1	Open end cover		208010662	OC662
13	8	Screw DIN 933		116030012	CS012
14	1	Oil seal BA SL (Viton)	35x72x10	112090030	SE007
15	1	Snap ring (DIN 472)	0 72	101020013	SR013
16	1	Flange (Standard 1410)		206011271	FL615
17	1	O-ring NBR70	34,2x3	107010010	OR010
18	1	Special Washer		211021301	WA301
19	1	Screw DIN 933	M12x35	116030038	CS038
20	1	Shift cover		208022871	SC871
21	1	O-ring(Viton)	53x1.5	107100048	OR048
22	2	O-ring (Viton)	37,79x3.53	107100049	OR049
23	1	Piston		204010841	PI841
24	4	Screw DIN 912	M6x35	116010005	AS005
25	4	Washer	0 6	102010006	WA006
26	1	Piston housing		200134531	PH531
27	2	O-ring(Viton)	46x2	107100014	OR014
28	1	Snap ring (DIN 472)	0 32	101020024	SR024
29	1	Washer	17x31.9x3	211026432	WA432
30	1	Spring		109010109	SPR109
31	1	Spring guide bush		200114511	SG511
32	1	Spring housing		200104541	SH541
33	1	O-ring(Viton)		107100037	OR037
34	1	Spool		212110361	SP361
35	1	Stud DIN913	M8x10	117010005	SS005
36	1	Fork spacer		200013981	FS981
37	1	Fork		205010631	SF633
38	1	Washer		211025671	WA671
39	1	Stud DIN 913	M6x8	117010010	SS010
40	1	Intermediate pin shaft		203046551	IP551
41	4	Snap ring (DIN 471)	0 55	101010017	SR017
42	1	Intermediate gear		201110101	G/010
43	4	Roller bearing	30x55x34	113130003	RB003-1
44	3	O-ring (Viton)	29x3	107100096	OR045
45	8	Washer DIN 125	0 8	102010013	WA013
46	8	Screw DIN 912	M8x25	116010009	AS009
47	1	Cover of housing		208012881	HC881

PTO 8000 Series.

ITEM	QT.	DESCRIPTION	DIMENS.	CODE	BZ USA CODE
48	1	Gasket		108010175	GA175
49	*	Gasket	Spec = 0.3mm	108010089	GA8010
	*	Gasket	Spec = 0.5mm	108010003	GA8015
	*	Gasket	Spec=1mm	108010100	GA8032
50	2	O-ring (Viton)	25x2.4	107100051	OR051
51	1	Upper pin shaft		203045041	IP041
52	1	Input gear		TABLE 1.	TABLE 1
53	2	Stud DIN 913	M6x16	117010031	SS031
54	1	Plug		208020731	PL731
55	1	Seal BAF UD1	19x30x7	112010017	SE017
56	1	Dust excluder bellows		107040005	DB005
57	1	Closed end cover		208010931	EC931
58	1	O-ring (Viton)	75x2.5	107100044	OR044

GEAR KIT.

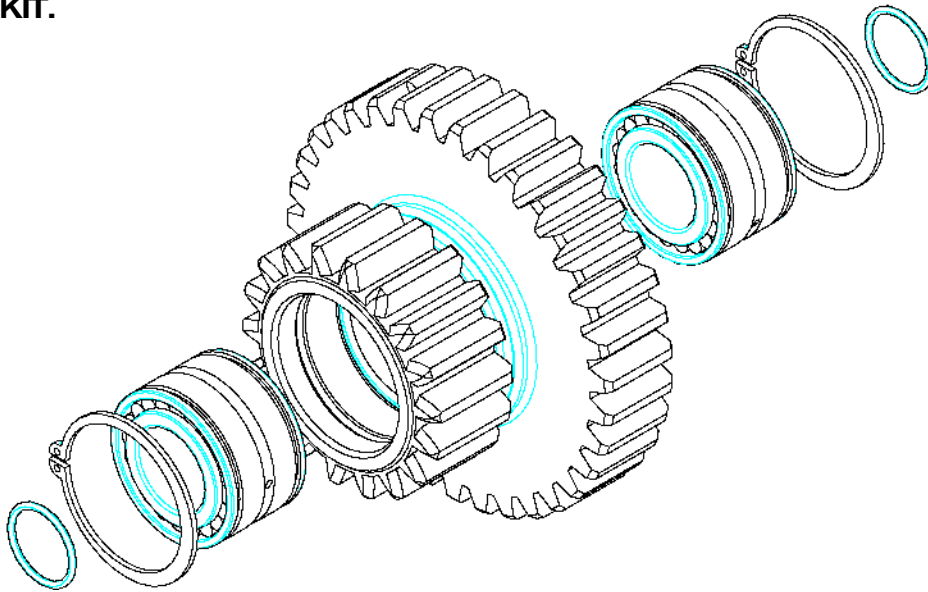


TABLE 1.

	INPUT GEAR		BZ USA CODE
01 FULLER	P/N : G/009	CODE: 201110091	800336-01
24 MACK	P/N : G/021	CODE: 201110211	800336-24
02 UNIVERSAL	P/N : G/064	CODE: 201110641	800336-02