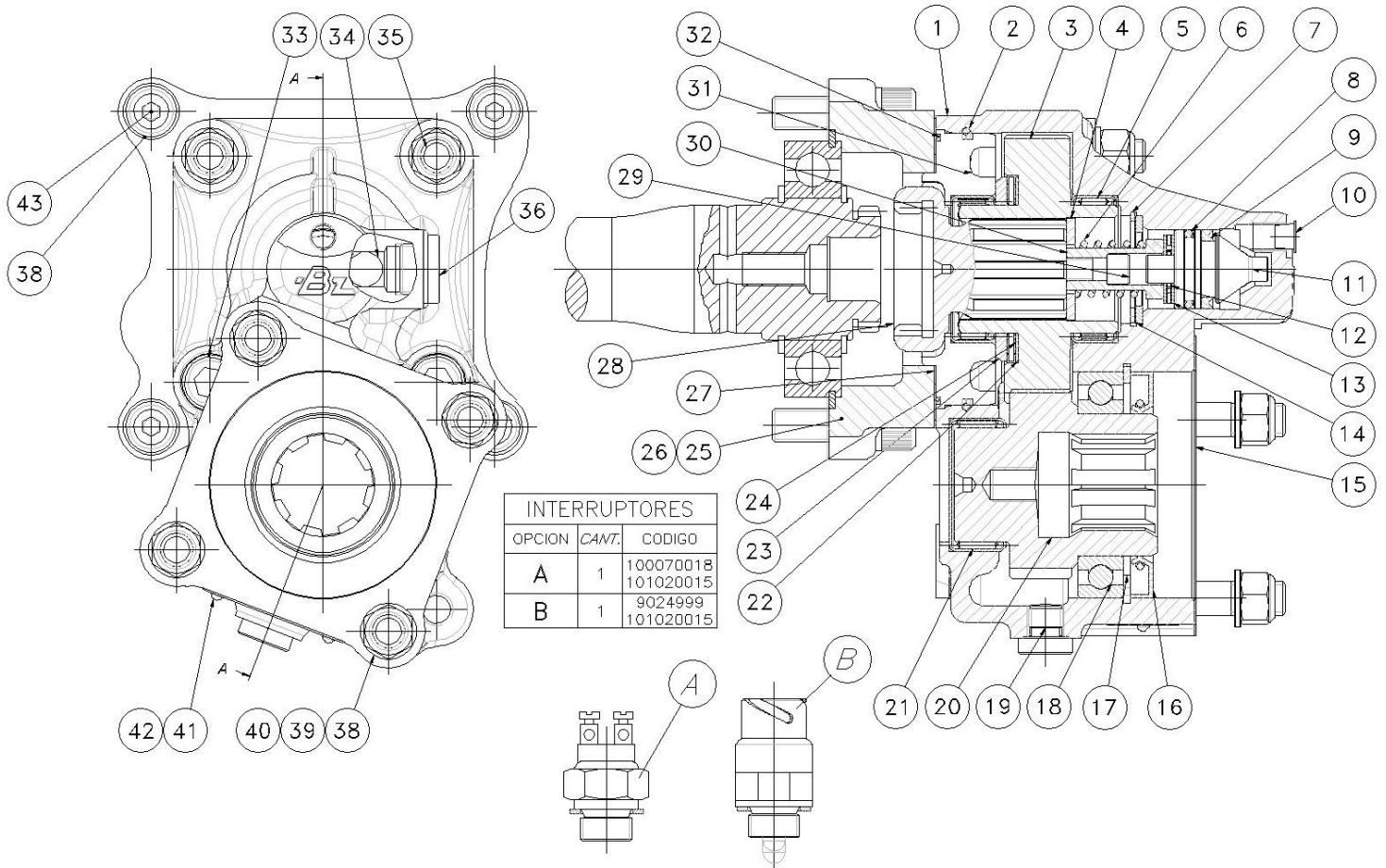


**1199K03**

BASE PTO + FLANGE KIT VB VOLVO 1:1.5 ROTATED HOUSING



ITEM	QT	DESCRIPTION	P/N	BZ USA P/N
1	1	C480 HOUSING. PTO ZF 1:1.53 ROTATED	202114801	
2	1	O-RING 90X3	107010062	
3	1	R492 UPPER GEAR.	201014921	
4	1	A643 ANCHORAGE WASHER FOR SPRING	211026431	AW431
5	2	BEARING HK 45X16	113030008	RB08
6	1	A644 SPRING SHORT CENTRAL PISTON	109010030	SP030
7	1	CIRCLIP DIN 472 DIA. 38	101020002	
8	1	O-RING 22X3 VITON	107100002	
9	1	PNEUMATIC COLLAR 20X28X4 VITON	105010018	PC018
10	1	PLASTIC PLUG 1/8"	118010009	PL009
12	1	AXIAL BEARING AXK 1024	114050002	AB002
13	2	AXIAL DISC AS 1024	114010011	AD011
14	1	S046 LOCK WASHER - BRACED CENTRAL PISTON	209110461	
15	1	A547 GASKET.ISO 4 BOLT (0.5mm)	108010038	GA4015EC
15	1	A547 GASKET.ISO 4 BOLT (0.5mm)	108010038	GA4015
16	1	SEAL 50X80X8 BA UD3	112070011	SE011
17	1	CIRCLIP DIN 472 A~80.	101020015	SR015
18	1	BALL BEARING 6010.	113040034	BB034
19	1	ALLEN HEAD PLUG 1/4" BSP WITH O-RING	118020033	PL033
20	1	G102 BOTTOM GEAR. PTO ZF 1:1.53 ROTATED	201111021	
21	1	BEARING BK 40X20	113020008	RB008V

**1199K03**

## BASE PTO + FLANGE KIT VB VOLVO 1:1.5 ROTATED HOUSING

ITEM	QT	DESCRIPTION	P/N	BZ USA P/N
22	1	AXIAL DISC AS 4565	114010003	AX003
23	1	AXIAL DISC LS 4565	114020001	AX001
24	1	AXIAL NEEDLE BEARING AXK 4565	114050001	RB01
25	1	A401 FLANGE. RANGE 1000	202024011	FR011
26	1	A435 GASKET. R-1000-2000	108010027	
27	1	A072 GASKET. (GENERAL PTO)	108010001	
28	1	E235 SHAFT. (ZF S6-90)	203032351	
29	1	X221 SCREW FOR CENTRAL PISTON	214122211	AS211
30	1	X222 GUIDE FOR SHORT SCREW C. PISTON	211132221	GD221
31	1	A683 GUIDE BUSH.	211036831	GB831
32	1	O-RING 90X2	107010088	OR088
33	2	SCREW M12X100 DIN 912 8.8	116010034	SC034
34	1	STEEL BALL Ø12,7. SERIES IV(DIN) / G40 (ISO)	104010002	
35	2	STUD M12-1.75 (17/25) C L= 93	117020059	ST059
36	1	ALLEN HEAD PLUG M18X1.5 WITH O-RING	118020036	PL036
38	13	WASHER 12.5X19.8X2 (TYPE DIN 125). ZINCPLATED	102090009	WA009
39	4	STUD M12-1.75 (16/25) C L= 49	117020026	ST026
40	6	SELF LOCKING NUT M12 DIN 985 8.8 (ZINCPLATED)	119020003	NU003
41	2	RIVET DIN 7337 2.4X4	100050003	RI003
42	1	IDENTIFICATION PLATE.	126020001	ID001
43	4	SCREW M12X40 DIN 912 8.8 SEALED ZINCPLATED	116010038	AS038
44	1	PNEUMATIC QUICK CONNECTOR BSP 1/8" 4X6. STRAIGHT	9015816	