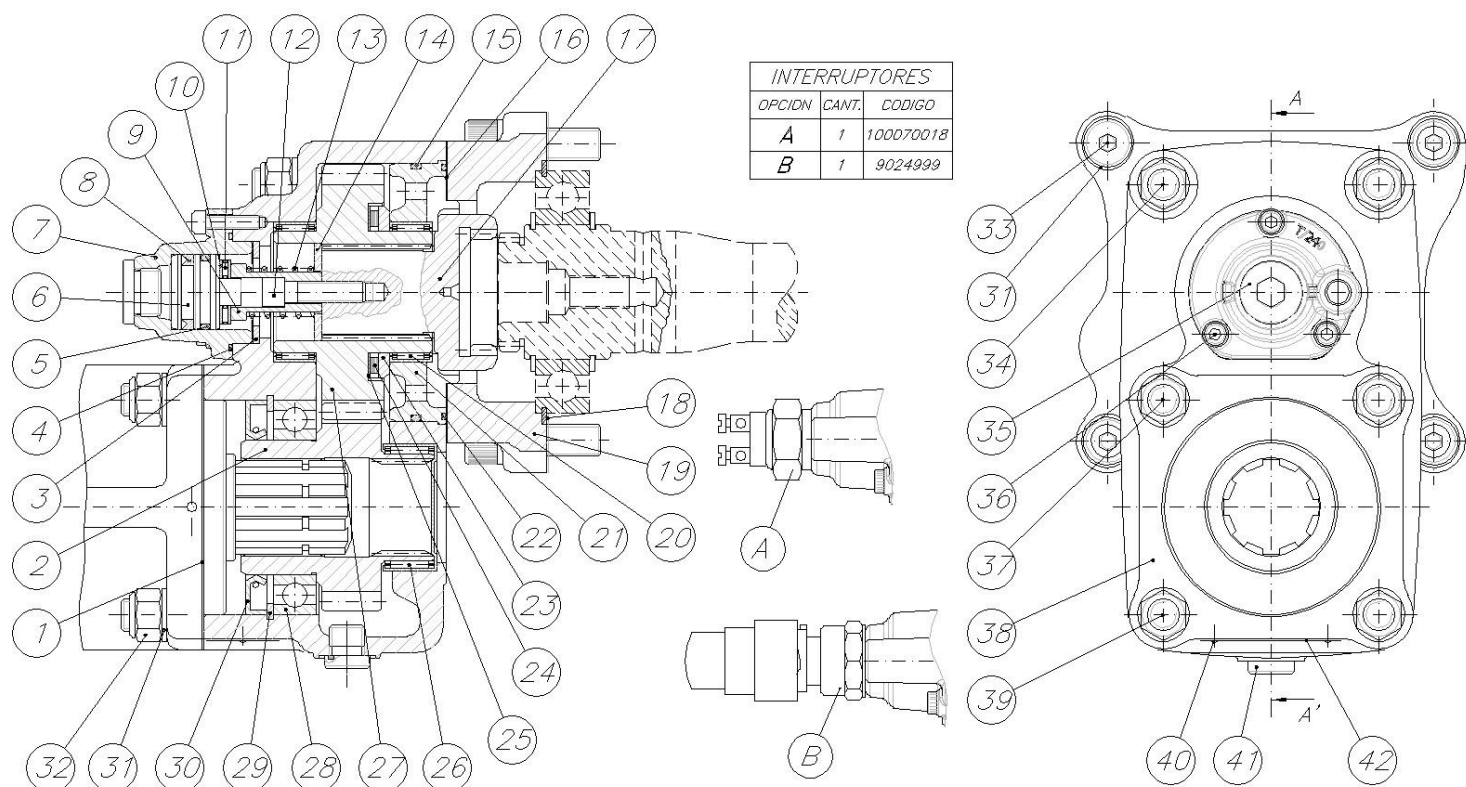


1198K03**BASE PTO + FLANGE KIT VB VOLVO 1:1.32 CENTRAL PISTON**

ITEM	QT	DESCRIPTION	P/N	BZ USA P/N
1	1	A547 GASKET.ISO 4 BOLT (0.5mm)	108010038	GA4015EC
2	1	R460-2 BOTTOM GEAR.	201014603	BG603
3	1	S046 LOCK WASHER FOR BRACED CENTRAL PISTON	209110461	209110461
4	1	O-RING 40X2	107010061	107010061
5	1	O-RING 22X3 VITON	107100002	107100002
6	1	P067 CENTRAL PISTON FOR AXIAL BEARING BUILT-IN	204010671	204010671
7	1	T240 PISTON CARRIER COVER.PTO P.C.(SWITCH M18x1.5)	208022401	208022401
8	1	PNEUMATIC COLLAR 20X28X4 VITON	105010018	PC018
9	1	X222 GUIDE FOR SHORT SCREW. CENTRAL PISTON	211132221	GD221
10	2	AXIAL DISC AS 1024	114010011	AD011
11	1	AXIAL BEARING AXK 1024	114050002	AB002
12	1	X221 SCREW FOR CENTRAL PISTON	214122211	AS211
13	1	A644 SPRING SHORT CENTRAL PISTON	109010030	SP030
14	1	A643 ANCHORAGE WASHER FOR SPRING	211026431	AW431
15	1	O-RING 90X3	107010062	107010062
16	1	A072 GASKET.(GENERAL PTO)	108010001	108010001
17	1	E235 SHAFT. (ZF S6-90)	203032351	E235
18	1	A435 GASKET. R-1000-2000	108010027	108010027
19	1	A401 FLANGE. RANGE 1000	202024011	FR011
20	2	BEARING HK 45X16	113030008	RB08
21	1	A683 GUIDE BUSH.	211036831	GB831
22	1	O-RING 90X2	107010088	OR088
23	1	AXIAL DISC LS 4565	114020001	AX001
24	1	AXIAL NEEDLE BEARING AXK 4565	114050001	RB01
25	1	DISCO AXIAL AS 4565 AXIAL DISC AS 4565	114010003	AX003
26	1	BEARING BK 40X20	113020008	RB008V
27	1	R492 UPPER GEAR.	201014921	R492
28	1	BALL BEARING 6010.	113040034	BB034

1198K03

BASE PTO + FLANGE KIT VB VOLVO 1:1.32 CENTRAL PISTON

ITEM	QT	DESCRIPTION	P/N	BZ USA P/N
29	1	CIRCLIP DIN 472 A 80.	101020015	SR015
30	1	SEAL 50X80X8 BA UD3	112070011	SE011
31	10	WASHER 12.5x19.8x2 (TYPE DIN 125). ZINCPLATED	102090009	WA009
32	6	SELF LOCKING NUT M12 DIN 985 8.8 (ZINCPLATED)	119020003	NV003
33	4	SCREW M12X40 DIN 912 8.8 SEALED ZINCPLATED	116010038	AS038
34	2	STUD M12-1.75 (17/25) C L= 93	117020059	ST059
35	1	ALLEN HEAD PLUG M18x1.5 WITH O-RING	118020036	PL036
36	3	SCREW M5X15 DIN 912 8.8	116010045	ST045
37	2	STUD M12-1.75 (17/25) C L=142	117020047	ST047
38	1	C086 HOUSING ZF 1.32 CENTRAL P. (ALUMINIUM PLUG)	202110861	HS861
39	2	STUD M12-1.75 (16/19) C L= 49	117020026	117020026
40	2	RIVET DIN 7337 2.4x4	100050003	RD003
41	1	ALLEN HEAD PLUG 1/4" BSP WITH O-RING	118020033	PL033
42	1	IDENTIFICATION PLATE.	126020001	ID001
43	1	PNEUMATIC QUICK CONNECTOR BSP 1/8" 4X6. STRAIGHT	9015816	9015816
44	1	PLASTIC PLUG 1/8"	118010009	PL009