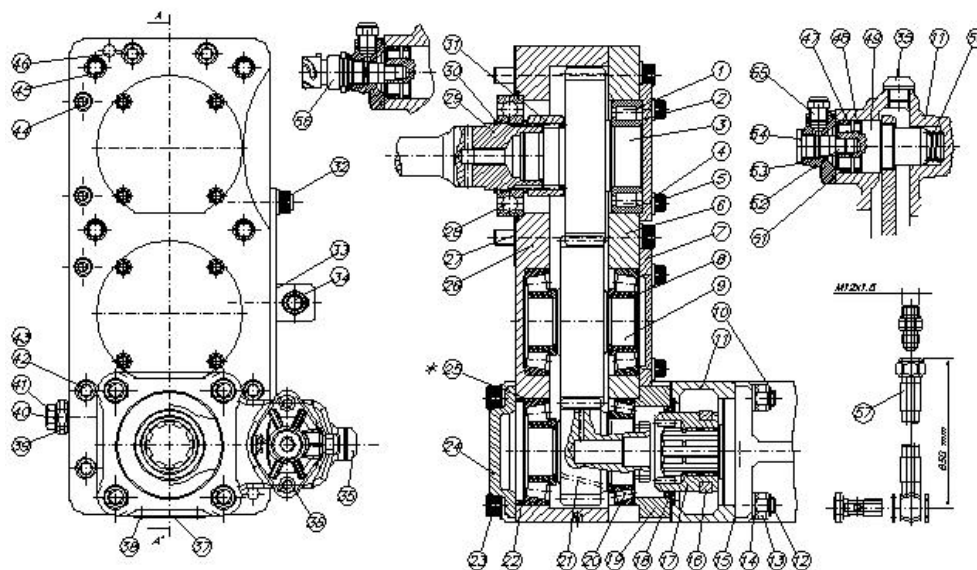


116803

VB VOLVO DT-2412C 4 TAL 1150 ESPECIAL 3P. *****



*.- SEGUN AJUSTE

Marca	Qt	Descripcion	Codigo
1	1	ROD. NJ 2209 ROD. CILIND. ROLLER BEARING NJ 2209	113110014
2	1	T063-1 TAPA CIEGA VOLVO 3 EJES T063-1 BLANK COVER. (VOLVO 3 SHAFTS)	208010632
3	1	R535-1 CORONA SUP. VLVO 1150 R535-1 UPPER GEAR. VLVO 1150	201025352
4	8	ARANDELA DIN 125 A 8 CINCADA ZINC-PLATED WASHER DIN 125 A 8	102010013
5	8	TOR. M8x25 DIN 912 8.8 IMPREGNADO Y BICROMAT SCREW M8x25 DIN 912 8.8 SEALED & ZINCPLATED	116010009
6	1	A837-1 TAPA T.F. VOLVO 1150 A837-1 COVER. VLVO 1150	202018372
7	1	T063-2 TAPA CIEGA VOLVO 3 EJES T063-2 BLANK COVER. (VOLVO 3 SHAFTS)	208010633
8	3	ROD. 30307 A RODILLOS CONICOS TAPER ROLLER BEARING 30307 A	113300004
9	1	R574-1 PIA'ON INTERM.VLVO 3 PA*S. R574-1 INTERMEDIATE GEAR. 3 GEARS	201025742
10	2	ES.M12-1.75 (17/25) C L=122 STUD M12-1.75 (17/25) C L=122	117020046
11	1	A491 CARC.ADAP.ZF 1:1 DIRECTO A491 ADAPTER HOUSING. ZF 1:1	202024911
12	2	ES.M12-1.75 (30/30) S L=145 STUD M12-1.75 (40/30) S L=145	117020031
13	4	TUERCA M12 DIN 985 8.8 HEXA. 17 SELF LOCKING NUT M12 DIN 985 8.8 (ZINCPLATED)	119020003
14	14	ARANDELA TIPO DIN 125 12.5x19.8x2 CINCADA WASHER 12.5x19.8x2 (TYPE DIN 125). ZINCPLATED	102090009
15	3	A547 J.PLANA ADAPT. 1:1 A547 GASKET.ISO 4 BOLT (0.5mm)	108010038
16	1	H040 HORQUILLA ADAP.ZF 1:1 H040 FORK. (ZF ADAPTER 1:1)	205010401
17	1	R026 CUBO DESP. ZF S6-90 R026 SLIDING HUB. (S6-90)	207010031
18	1	A540 ARANDELA GUIA ADAP.ZF 1:1 A540 GUIDE WASHER. (ZF 1:1 ADAPTER)	211015401
19	1	A565-2 BRIDA ADAPT. VOLVO 3P. A565-2 ADAPTER FLANGE VOLVO 3 GEARS.	209015653
20	1	ROD. 32010 X RODILLOS CONICOS BEARING 32010 X	113300021
21	1	R575-1 PIA'ON SALIDA VLVO 3 PA*S. R575-1 OUTPUT GEAR. VLVO 3 GEARS	201025752
22	1	A742 ARANDELA SEP.CAJA REENVI A742 SPACER WASHER. (RESEND GEARBOX)	209017421
23	4	TOR. M12x30 DIN 912 8.8 CINCADO. IMPREGNADO SCREW M12x30 DIN 912 8.8 WHITE ZINC PLATED/SEA	116010163
24	1	T071 TAPA CIEGA T.F. VB T071 BLANK COVER.	208010711
25	1	ARANDELA PS 63x80x0,5 WASHER PS 63x80X0,5	103010006
26	1	A837-2 CUERPO T.F. VOLVO 1150 (SAL. CONTRARIA) A837-2 HOUSING. VOLVO PTO 1150	202018373
27	1	A435 J.PLANA R-1000-2000 A435 GASKET. R-1000-2000	108010027
28	1	ROD. 6210 NR RIGIDO DE BOLAS BALL BEARING 6210 NR	113040014
29	1	E518 EJE ADAPT. VOLVO DT-2412C E518 ADAPTER SHAFT. VOLVO DT-2412C	203055181

Marca	Qt	Descripcion	Codigo
30	2	ANILLO DIN 471 A 50 CIRCLIP DIN 471 DIA. 50	101010009
31	1	Q062 CUBO ARRAST.VB VOLVO 1170 Q062 ENGAGING HUB. (VOLVO 1170)	207010621
32	2	TOR. M10x20 DIN 7984 8.8 SCREW M10X20 DIN 7984 8.8	116040003
33	1	X153 SOPORTE PTO VOLVO R1000 (3P. BASANTE) X153 SUPPORT. PTO VOLVO R1000	200101531
34	1	TOR. M12x25 DIN 912 8.8 SCREW M12X25 DIN 912 8.8	116010061
35	1	T099 TAPON ADAP. ZF 1:1 T099 ADAPTER PLUG. (ZF 1:1)	208020991
36	2	TOR. M8x25 DIN 912 8.8 IMPREGNADO Y BICROMATA SCREW M8x25 DIN 912 8.8 SEALED & ZINCPLATED	116010009
37	1	PLACA DE IDENTIFICACION IDENTIFICATION PLATE	126020001
38	2	REMACHE DIN 7337 2.4x4 RIVET DIN 7337 2.4x4	100050003
39	2	A810 RACOR ENGR. M22-1.5 LAT. IVECO A810 PIPE. IVECO	202028101
40	2	ARANDELA DE COBRE 14x20 PRES. COPPER WASHER 14x20x1.5	102060016
41	2	TAPA'N ALLEN 1/4" GAS (CON TORICA) ALLEN HEAD PLUG 1/4" BSP WITH O-RING	118020033
42	6	TOR. M10x30 DIN 912 8.8 (CINCADO) SCREW M10x30 DIN 912 8.8 (ZINC PLATED)	116010175
43	9	ARANDELA TIPO DIN 125 10.5x16.8x2 CINCADA WASHER 10.5x16.8x2 (TYPE DIN 125) ZINCPLATED	102090010
44	3	TOR. M8x30 DIN 912 8.8 SCREW M8X30 DIN 912 8.8	116010010
45	4	TOR. M12x110 DIN 912 8.8 SCREW M12X110 DIN 912 8.8	116010062
46	2	A829-1 GUIA 10X30 VOLVO 1150 A829-1 GUIDE 10X30.	200018292
47	1	COLLARIN NTCO.40x32x4 PNEUMATIC COLLAR 40X32X4	105010007
48	1	JUNTA TORICA 33x3.5 VITON-75 O-RING 33x3.5 VITON-75	107100032
49	1	P036 P. ADAPT. ZF 1:1 P036 ADAPTER PISTON. (ZF 1:1)	204010361
50	1	A492 MUELLE ADAPT. ZF 1:1 A492 SPRING ZF ADAPTER 1:1	109010027
51	1	JUNTA TORICA 44x2.62 NBR-70 O-RING 44X2.62	107010070
52	1	E472 EMBOLO DEL PISTON PTO VG2000 TRANSFER E472 PISTON PLUNGER. PTO VG2000 TRANSFER	203004721
53	1	T218 TAPA PISTON. ADAPT. 1:1 PARA INTERR. BAYON T218 PISTON COVER. ADAPT. 1:1 FOR SPECIAL SWITC	208012181
54	1	TAPA'N ALLEN M18x1.5 (CON TORICA) ALLEN HEAD PLUG M18x1.5 WITH O-RING	118020036
55	1	RACOR MCR-11 4X6 ROSCA 1/8 PNEUMATIC QUICK CONNECTOR BSP 1/8" 4X6. STRA	9015816
56	1	INTERRUPTOR NEUMATICO M18x1.5 PNEUMATIC SWITCH M18x1.5 OPEN CIRCUIT	100070018
57	1	LATIGUILLO ENGRASE VOLVO 3P. (M12) VOLVO 3 GEARS OIL PIPE. (M12)	908599
99	1	TAPA'N PLASTICO 1/8" PLASTIC PLUG 1/8"	118010009