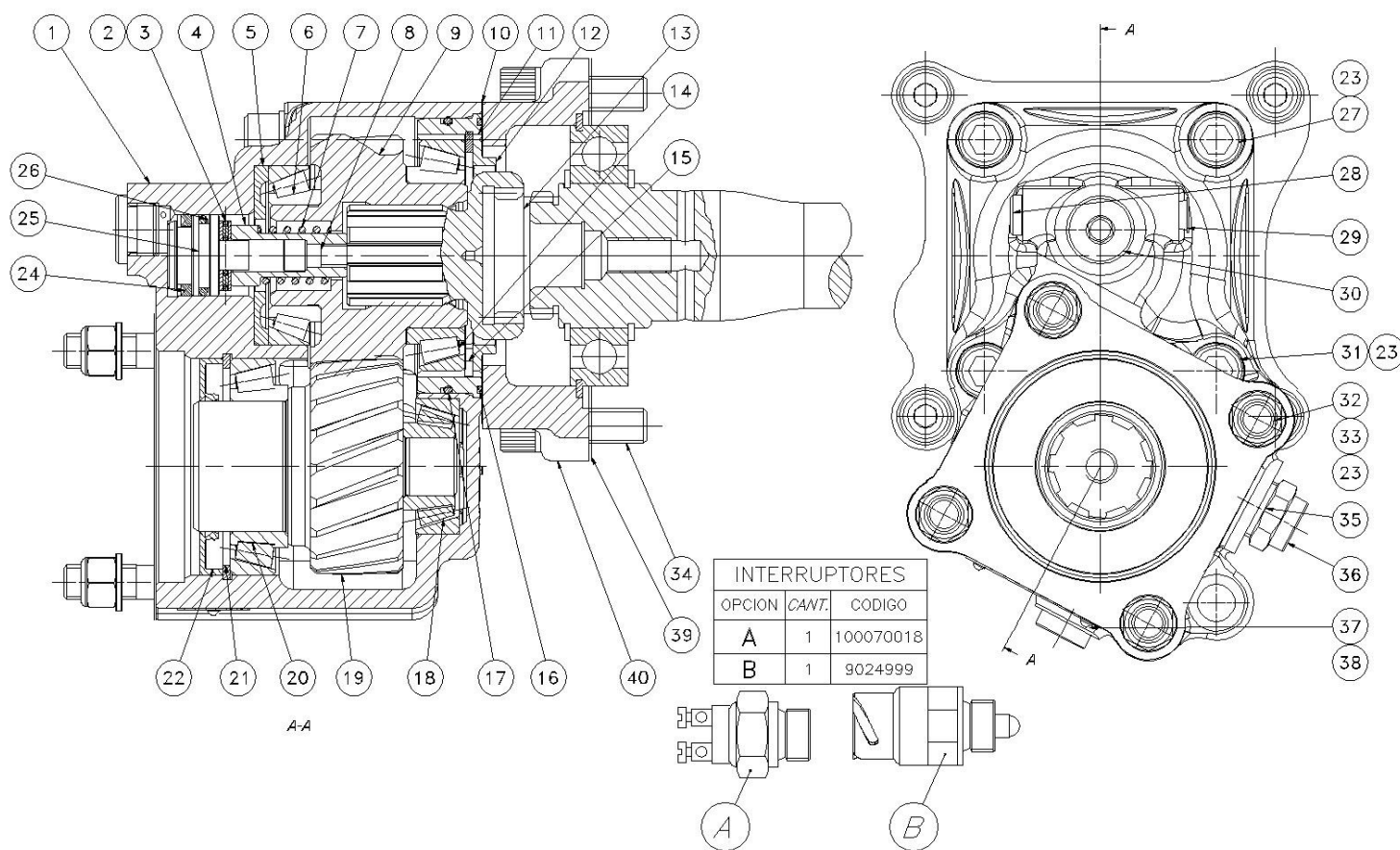


11113K03

BASE PTO + FLANGE KIT VB VOLVO 1:1.3 ROTATED, HEAVY DUTY



ITEM	QT	DESCRIPTION	P/N	BZ USA P/N
1	1	C551 HOUSING. PTO ZF ROTATED, HEAVY DUTY	202115511	
2	2	AXIAL DISC AS 1024	114010011	AD011
3	1	AXIAL BEARING AXK 1024	114050002	AB002
4	1	X751 GUIDE FOR SCREW. HEAVY DUTY REAR PTO	211137511	
5	1	S279 LOCKING WASHER. HEAVY DUTY REAR PTO	209112791	
6	1	TAPER ROLLER BEARING 32007X	113300046	RB046
7	1	A644 SPRING SHORT CENTRAL PISTON	109010030	SP030
8	1	X221 SCREW FOR CENTRAL PISTON	214122211	AS211
9	1	G190 UPPER GEAR. PTO ZF 1:1.29 ROTATED, H. DUTY	201121901	
10	1	A072 GASKET.(GENERAL PTO)	108010001	
11	1	X750 BEARING GUIDE. HEAVY DUTY REAR PTO	211137501	
12	1	A540 GUIDE WASHER. (ZF 1:1 ADAPTER)	211015401	GD401
13	1	E235 SHAFT. (ZF S6-90)	203032351	
14	1	BEARING 32010 X	113300021	RB021
15	1	SEEGER DIN 472	101020015	SR015
16	1	O-RING 90X2	107010088	
17	1	O-RING 90X3	107010062	
18	1	TAPER ROLLER BEARING 32204	113300066	
19	1	G191 BOTTOM GEAR. PTO ZF 1:1.3 ROTATED H. DUTY	201121911	
20	1	BEARING 32009 X/Q	113300025	RB025
21	1	CIRCLIP DIN 472 DIA. 75	101020014	SR014

11113K03

BASE PTO + FLANGE KIT VB VOLVO 1:1.3 ROTATED, HEAVY DUTY

ITEM	QT	DESCRIPTION	P/N	BZ USA P/N
22	1	SEAL 45x75x8 BAF SL VITON	112090021	SE021
23	12	WASHER 12.5x19.8x2 (TYPE DIN 125). ZINCPLATED	102090009	WA009
24	1	PNEUMATIC COLLAR 20X28X4 VITON	105010018	PC018
25	1	P067 CENTRAL PISTON FOR AXIAL BEARING BUILT-IN	204010671	
26	1	O-RING 22X3 VITON	107100002	
27	2	SCREW M12x85 DIN 912 8.8	116010230	
28	1	ALLEN HEAD PLUG 1/8" BSP WITH O-RING	118020039	PL039
29	1	PLASTIC PLUG 1/8"	118010009	PL009
30	1	PLUG ALLEN WITH O-RING	118020036	PL036
31	2	SCREW M12X110 DIN 912 8.8	116010062	SC062
32	4	SELF LOCKING NUT M12 DIN 985 8.8 (ZINCPLATED)	119020003	NU003
33	4	STUD M12-1.75 (16/25) C L= 49	117020026	
34	4	SCREW M12X40 DIN 912 8.8 SEALED ZINCPLATED	116010038	AS038
35	1	A810 LUBRICATION CONNECTOR. M22-1.5	202028101	
36	2	ALLEN HEAD PLUG 1/4" BSP WITH O-RING	118020033	PL033
37	2	RIVET DIN 7337 2.4x4	100050003	RD003
38	1	IDENTIFICATION PLATE	126020001	ID001
39	1	A435 GASKET. R-1000-2000	108010027	
40	1	A401 FLANGE. RANGE 1000	202024011	FR011
41	1	CONNECTOR BSP 1/8" 4X6. STRAIGHT	9015816	