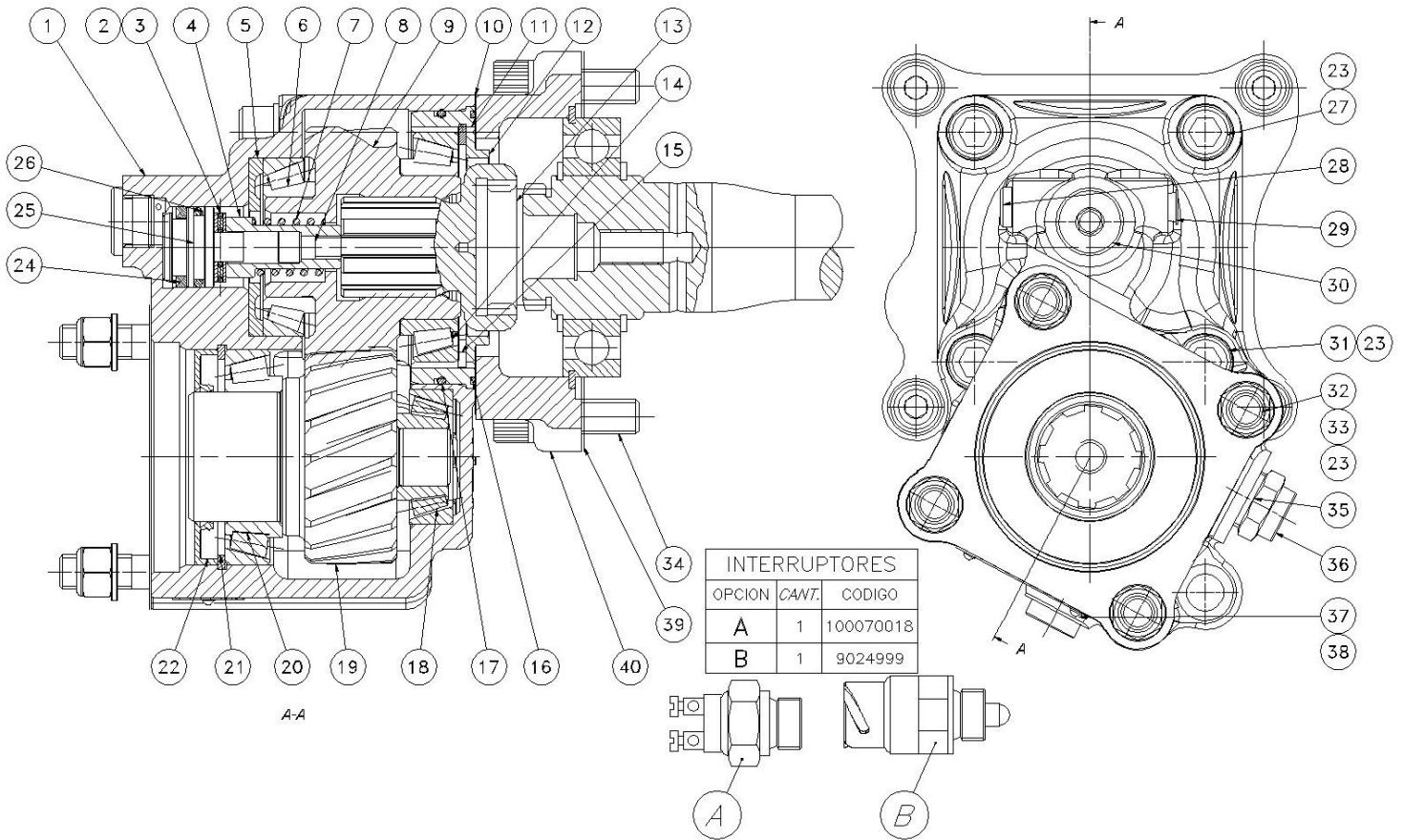


11112K03

BASE PTO + FLANGE KIT VB VOLVO 1:1.5 ROTATED, HEAVY DUTY



| ITEM | QT | DESCRIPTION | P/N | BZ USA P/N |
|------|----|--|-----------|------------|
| 1 | 1 | C551 HOUSING. PTO ZF ROTATED, HEAVY DUTY | 202115511 | |
| 2 | 2 | AXIAL DISC AS 1024 | 114010011 | AD011 |
| 3 | 1 | AXIAL BEARING AXK 1024 | 114050002 | AB002 |
| 4 | 1 | X751 GUIDE FOR SCREW. HEAVY DUTY REAR PTO | 211137511 | |
| 5 | 1 | S279 LOCKING WASHER. HEAVY DUTY REAR PTO | 209112791 | |
| 6 | 1 | TAPER ROLLER BEARING 32007X | 113300046 | RB046 |
| 7 | 1 | A644 SPRING SHORT CENTRAL PISTON | 109010030 | SP030 |
| 8 | 1 | X221 SCREW FOR CENTRAL PISTON | 214122211 | AS211 |
| 9 | 1 | G192 UPPER GEAR. PTO ZF 1:1.5 ROTATED, H. DUTY | 201121921 | |
| 10 | 1 | A072 GASKET.(GENERAL PTO) | 108010001 | |
| 11 | 1 | X750 BEARING GUIDE. HEAVY DUTY REAR PTO | 211137501 | |
| 12 | 1 | A540 GUIDE WASHER. (ZF 1:1 ADAPTER) | 211015401 | GD401 |
| 13 | 1 | E235 SHAFT. (ZF S6-90) | 203032351 | |
| 14 | 1 | BEARING 32010 X | 113300021 | RB021 |
| 15 | 1 | SEEGER DIN 472 | 101020015 | SR015 |
| 16 | 1 | O-RING 90X2 | 107010088 | |
| 17 | 1 | O-RING 90X3 | 107010062 | |
| 18 | 1 | TAPER ROLLER BEARING 32204 | 113300066 | |
| 19 | 1 | G193 BOTTOM GEAR. PTO ZF 1:1.5 ROTATED H. DUTY | 201121931 | |
| 20 | 1 | BEARING 32009 X/Q | 113300025 | RB025 |
| 21 | 1 | CIRCLIP DIN 472 DIA. 75 | 101020014 | SR014 |

11112K03

BASE PTO + FLANGE KIT VB VOLVO 1:1.5 ROTATED, HEAVY DUTY

| ITEM | QT | DESCRIPTION | P/N | BZ USA P/N |
|------|----|--|-----------|------------|
| 22 | 1 | SEAL 45x75x8 BAF SL VITON | 112090021 | SE021 |
| 23 | 12 | WASHER 12.5x19.8x2 (TYPE DIN 125). ZINCPLATED | 102090009 | WA009 |
| 24 | 1 | PNEUMATIC COLLAR 20X28X4 VITON | 105010018 | PC018 |
| 25 | 1 | P067 CENTRAL PISTON FOR AXIAL BEARING BUILT-IN | 204010671 | |
| 26 | 1 | O-RING 22X3 VITON | 107100002 | |
| 27 | 2 | SCREW M12x85 DIN 912 8.8 | 116010230 | |
| 28 | 1 | ALLEN HEAD PLUG 1/8" BSP WITH O-RING | 118020039 | PL039 |
| 29 | 1 | PLASTIC PLUG 1/8" | 118010009 | PL009 |
| 30 | 1 | PLUG ALLEN WITH O-RING | 118020036 | PL036 |
| 31 | 2 | SCREW M12X110 DIN 912 8.8 | 116010062 | SC062 |
| 32 | 4 | SELF LOCKING NUT M12 DIN 985 8.8 (ZINCPLATED) | 119020003 | NU003 |
| 33 | 4 | STUD M12-1.75 (16/25) C L= 49 | 117020026 | |
| 34 | 4 | SCREW M12X40 DIN 912 8.8 SEALED ZINCPLATED | 116010038 | AS038 |
| 35 | 1 | A810 LUBRICATION CONNECTOR. M22-1.5 | 202028101 | |
| 36 | 2 | ALLEN HEAD PLUG 1/4" BSP WITH O-RING | 118020033 | PL033 |
| 37 | 2 | RIVET DIN 7337 2.4x4 | 100050003 | RD003 |
| 38 | 1 | IDENTIFICATION PLATE | 126020001 | ID001 |
| 39 | 1 | A435 GASKET. R-1000-2000 | 108010027 | |
| 40 | 1 | A401 FLANGE. RANGE 1000 | 202024011 | FR011 |
| 41 | 1 | CONNECTOR BSP 1/8" 4X6. STRAIGHT | 9015816 | |