

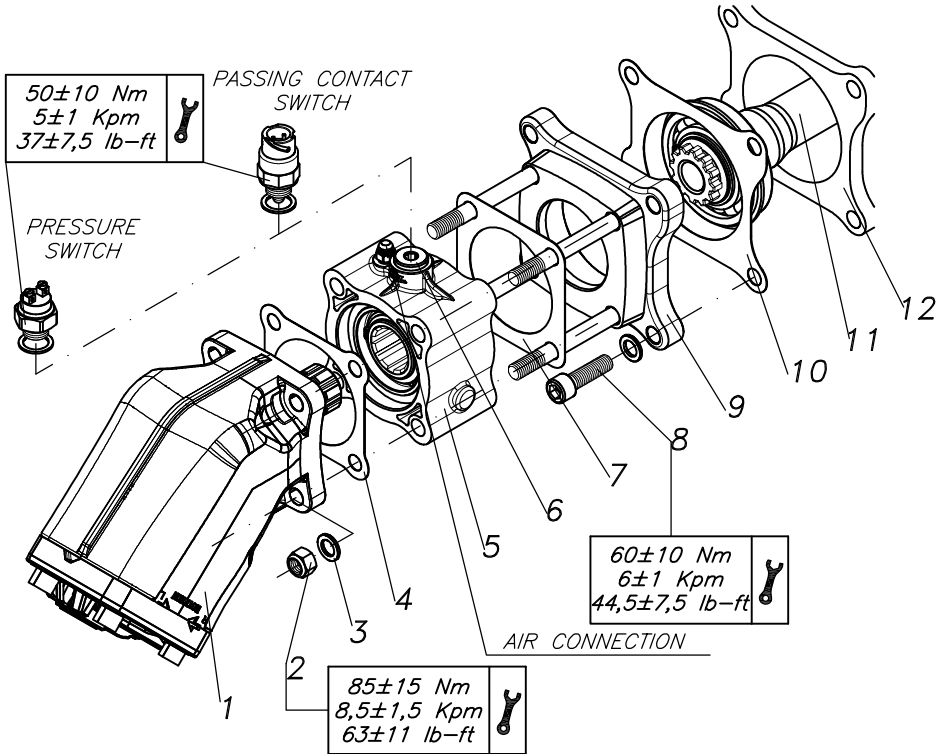
Mounting Instructions

Part N°.- 117503, 117603



PTO's VOLVO

R1000, R/SR1400, R/RS
1700, SR 1900, SR 2000



LIST OF CONTENT

Items	Description
1	Pump
2	Nut
3	Washer
4	Gasket
5	PTO housing
6	Plug
7	Gasket
8	Screw
9	Adapter flange
10	Gasket
11	Shaft kit
12	Gearbox

GENERAL INFORMATION

The following installation instruction for fitment of the Volvo R1000, R/SR 1400, R/SR 1700, SR1900 (Part N.- 117503, 117603) should be followed in order to ensure good performance and long life.

Where it is obvious that this instructions have not been followed, then warranty claims will not be accepted.

The largest pumps sizes in these PTO's is F1-101.

INSTALLATION METHOD

Drain the gearbox and clean the cover plate and surrounding area to prevent ingress of dirt.

Remove the PTO cover and clean the sealing surface.

Mount the shaft kit (11) on the gearbox (12), if necessary fit a long set screw (M12) into the another end of the shaft kit.

Fit gasket (10) plus the adapter flange (9) on the gearbox (12), applying pressure screws (8) and its washers (3) in accordance with the pattern shown.

Fit a gasket (7) on the adapter flange (9) and mount the PTO housing (5).

Mount a gasket (4) between the cover plate and PTO housing (5). Finally, fit the pump and apply pressure on nuts (2) and its washers (3), tighten the nuts in accordance with the pattern shown.

For mount the switch, first to dismantle the plug (6) and thread the swintch with its washers, tighten the switch in accordance with the pattern shown in the drawing.

If mount the pressure switch, is necessary to remove the ball that is in the drill where mount the switch.

Do not forget to refill the gearbox with suitable oil and up to level.