

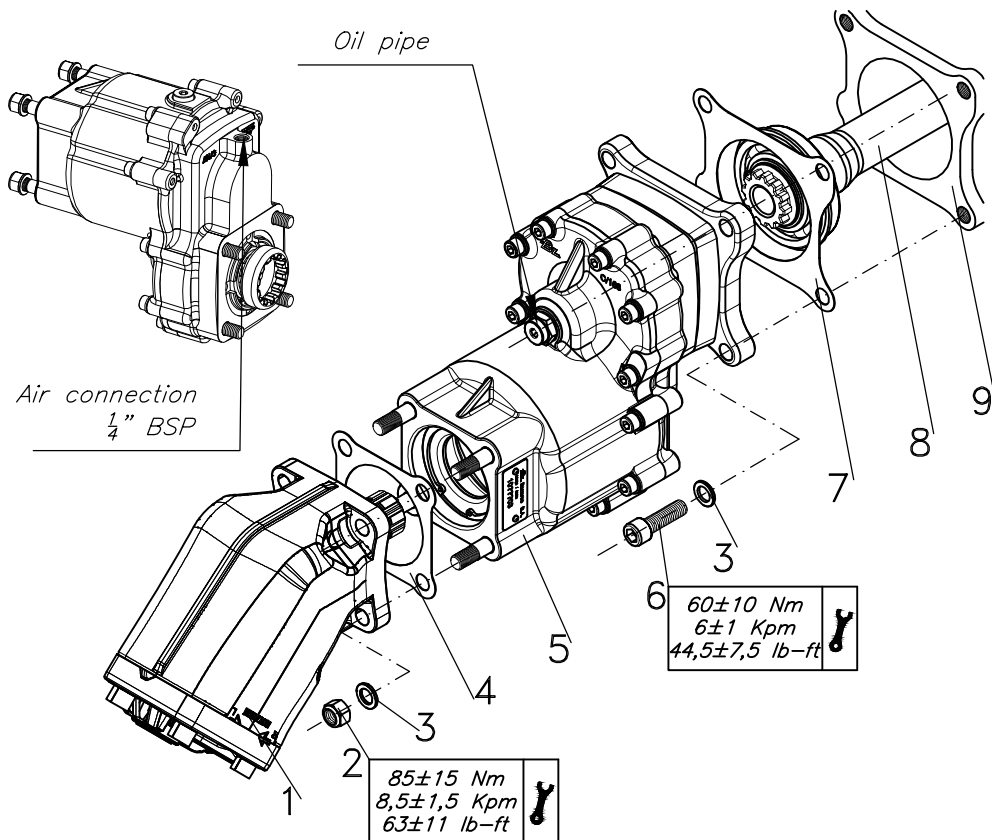
Mounting Instructions

Part No. - 115703, 117103



VOLVO PTO's

R1000, R/RS 1400/1700,
SR1900/2000, DT2412C



LIST OF CONTENT

Item	Description
1	Pump
2	Nut
3	Washer
4	Gasket
5	PTO housing
6	Screw
7	Gasket
8	Shaft kit
9	Gearbox

GENERAL INFORMATION

The following installation instruction for fitment of the Volvo R1000, R/RS 1400/1700, SR1900/2000, DT2412C (Part No. 115703, 117103), should be followed in order to ensure good performance and long life.

Where it is obvious that this instructions have not been followed, then warranty claims will not be accepted.

The largest pumps size in these PTO's is F1-101.

INSTALLATION METHOD

Drain the gearbox and clean the cover plate and surrounding area to prevent ingress of dirt.

Remove the PTO cover and clean the sealing surface.

Mount the shaft kit (8) on the gearbox (9), if necessary fit a long set screw (M12) into the outer end of the shaft kit. Make sure that the shaft kit is kept clean.

Mount a gasket (7) on the gearbox and fit the PTO (5) applying pressure on screws (6) and its washers (3), in accordance with the pattern shown.

Fit a gasket (4) between pump (1) and PTO housing. Apply pressure on nuts (2) and its washers (3) in accordance with the pattern shown.

Finally, mount the oil pipe in the connection points.

Do not forget to refill the gearbox with suitable oil and up to level.