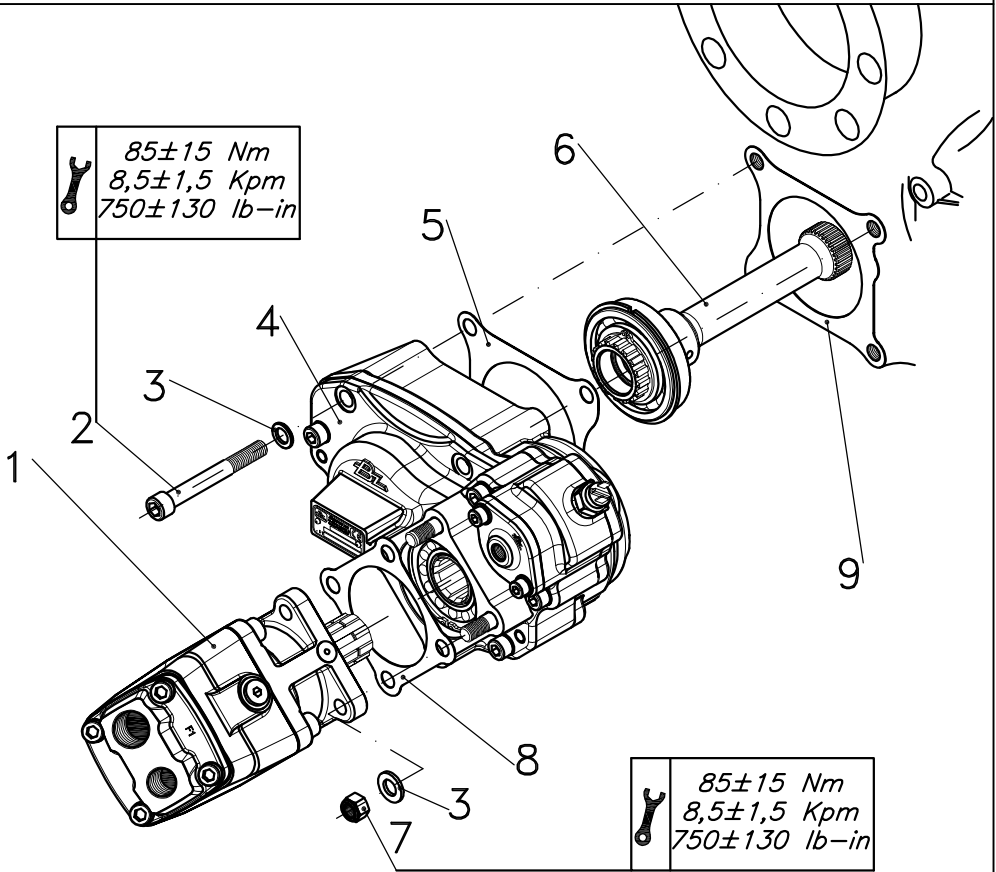


Mounting instructions

Part N.- 116403



VOLVO PTO's
DT 2412C



LIST OF CONTENT

Item	Descripcion
1	Pump
2	Screw
3	Washer
4	PTO housing
5	Gasket
6	Shaft kit
7	Nut
8	Gasket
9	Gearbox

GENERAL INFORMATION

The following installation for fitmet of the VOLVO DT 2412C (Part N.- 116403) should be followed in order to ensure good performance and long life.

Where it is obvious that this instructions have not been followed, the warranty claims will not be accepted.

The largest pumps size on these PTO's is F1-110.

INSTALLATION METHOD

Drain the gearbox and clean the cover plate and surrounding area to prevent ingress of dirt.

Remove the PTO cover and clean the sealing surface.

Mount the shaft kit (6) on the gearbox (9), if is necessary fit a long set screw (M12) into the other end of the shaft kit. Make sure that the shaft kit is keep clean.

Fit the gasket (5) in the gearbox and mount the pto housing (4) with the screws (2) and its washers (3) in accordance with the pattern shown.

Mount a gasket (8) between the pto housing and pump (1), and fit a pump applying pressure on nuts (7) and its washers (3) in accordance with the pattern shown.

Do not forget to refill the gearbox with suitable oil and up to level.