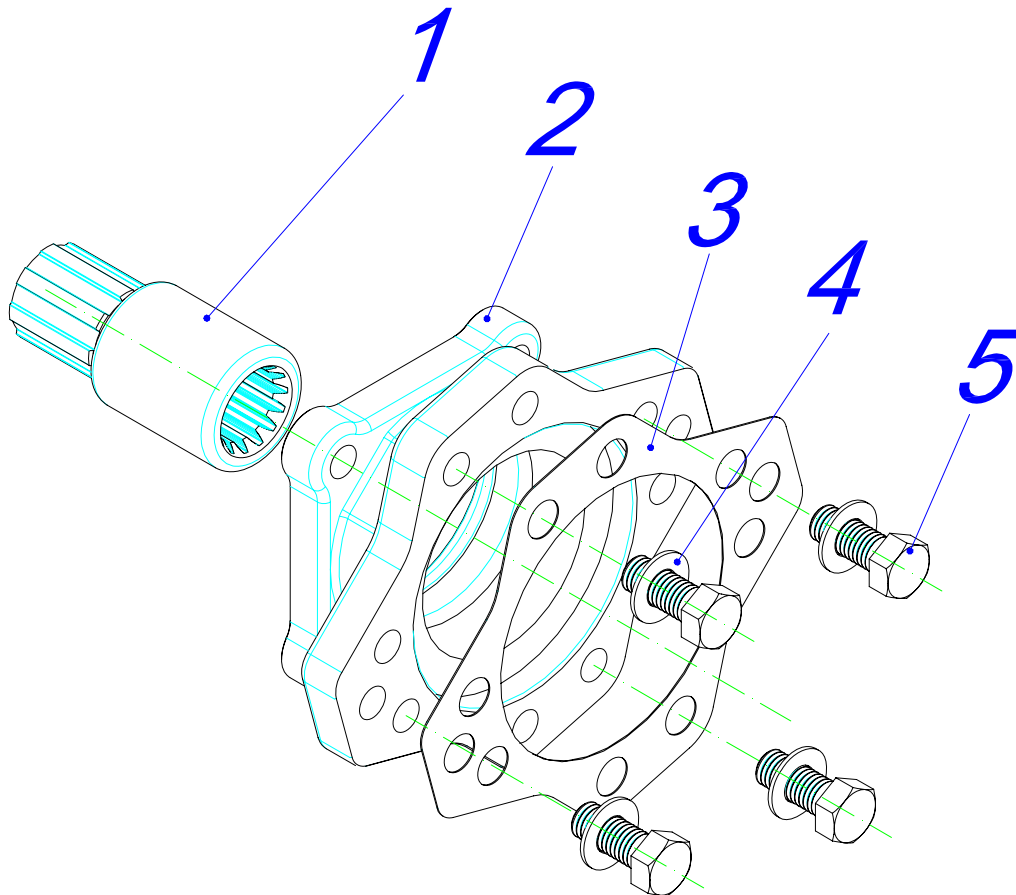


**ADAPTER KIT ISO 4 BOLT- SAE "B"2/ 4 BOLT**

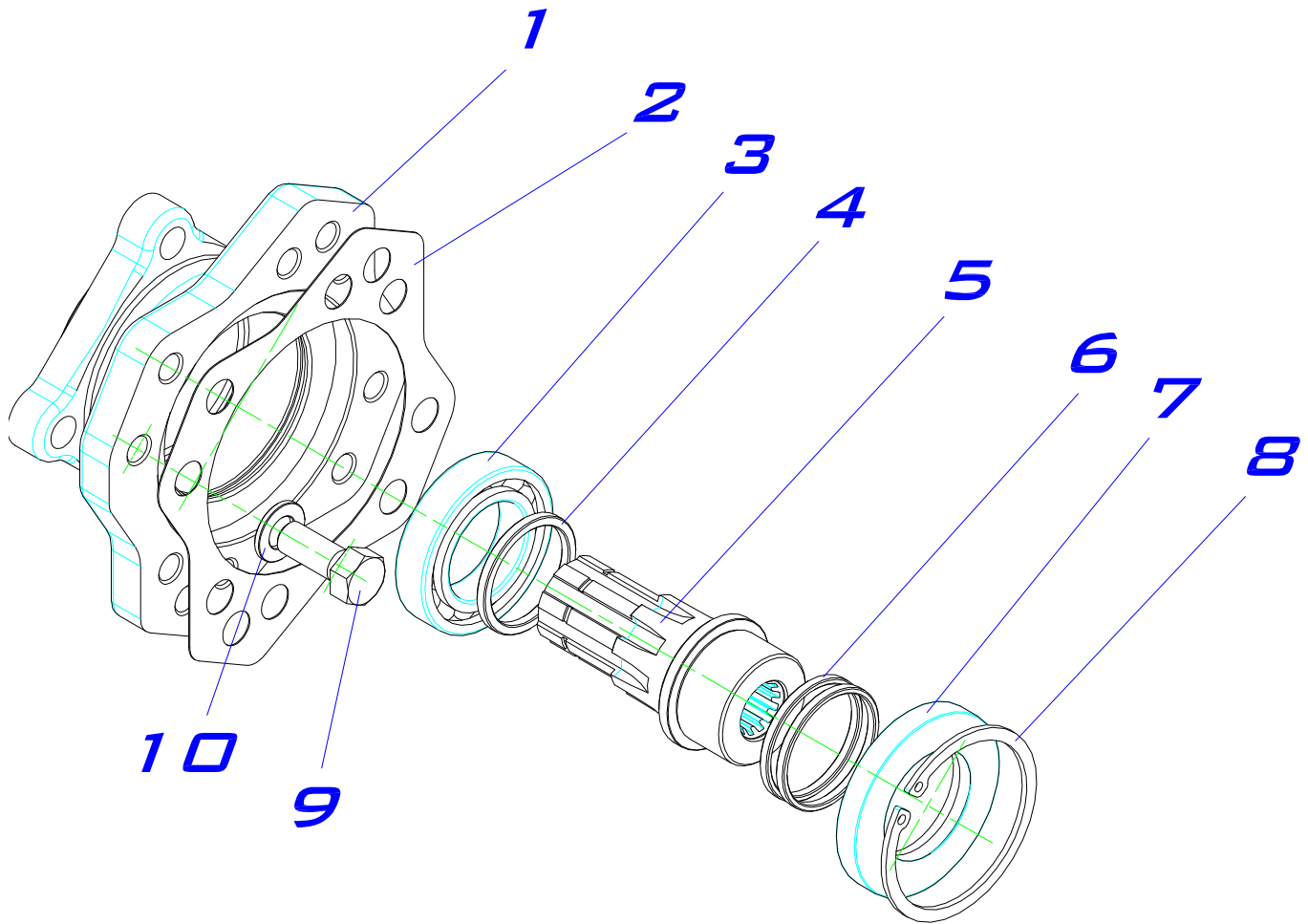
| ITEM | QT. | DESCIPTION      | DIMENS.            | CODE      | BZ USA CODE |
|------|-----|-----------------|--------------------|-----------|-------------|
| 1    | 1   | Output shaft    |                    | Table 1   |             |
| 2    | 1   | Adapter housing |                    | 202027802 |             |
| 3    | 1   | Gasket          |                    | 108010091 |             |
| 4    | 4   | Washer          | Ø13                | 102010002 |             |
| 5    | 4   | Screw DIN 931   | ½" 13H<br>UNC x 32 | 116020025 |             |

**TABLE 1: OUTPUT SHAFT PUMP SAE B 2/4 BOLT**

| OUTPUT SHAFT           | SHAFT CODE | ADAPTOR KIT CODE |
|------------------------|------------|------------------|
| Z=14 TEETH             | 203023231  | 708904           |
| Z= 16 TEETH (DIN 5480) | 203054761  | 7011604          |

# ADAPTER KIT ISO 4 BOLT- SAE "B"2/ 4 BOLT Z=13

June 2.015



**P/N. 7011104**

| ITEM | QT. | DESCTIPTION                   | CODE      | BZ USA CODE |
|------|-----|-------------------------------|-----------|-------------|
| 1    | 1   | Adapter housing               | 202027801 |             |
| 2    | 1   | Gasket                        | 108010091 |             |
| 3    | 1   | Ball Bearing 6008             | 113040003 |             |
| 4    | 1   | Spacer Washer                 | 209018401 |             |
| 5    | 1   | Adapter shaft (Z=13)          | 203052901 |             |
| 6    | 2   | Adjusting Washer              | 209018013 |             |
| 7    | 1   | Seal BAFSL 45X75X10           | 112090009 |             |
| 8    | 1   | Circlip DIN 472 Ø75           | 101020014 |             |
| 9    | 4   | Screw 1/2"x32 DIN 931         | 116020025 |             |
| 10   | 4   | Zincplated Washer Ø13 DIN 125 | 102010005 |             |